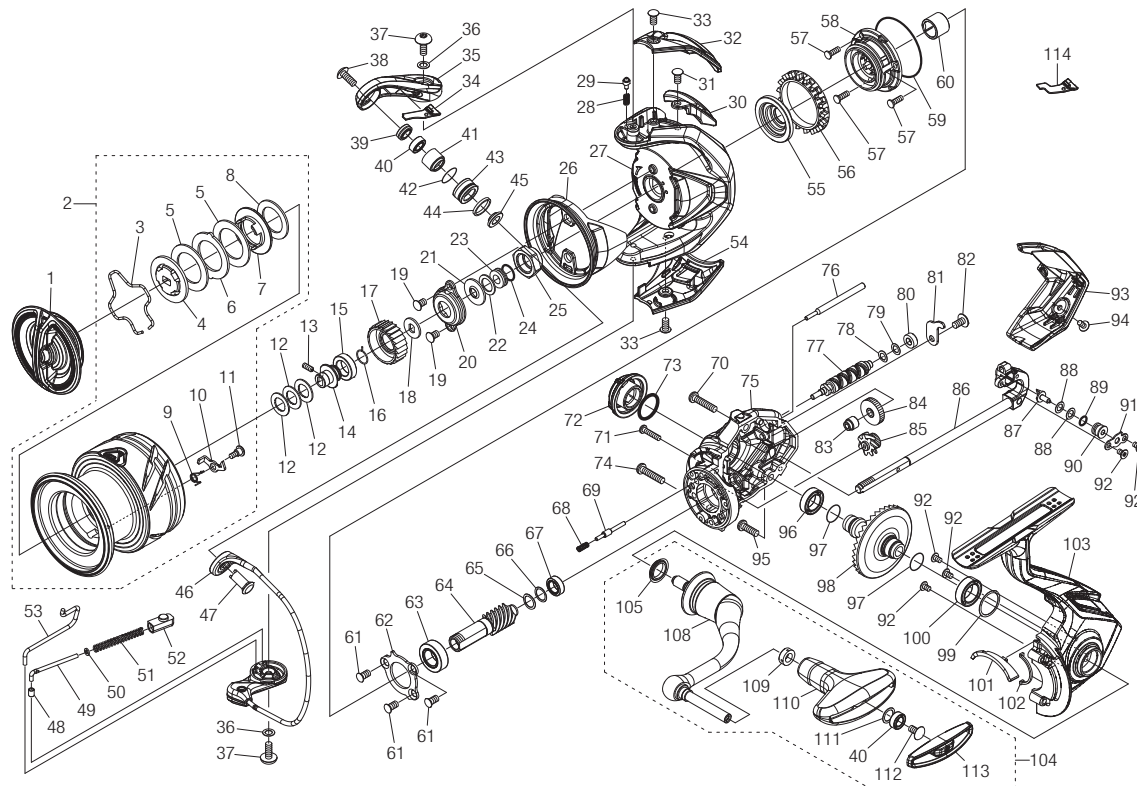


SHIMANO

STRADIC

ST-C3000XG



(51SF70EE39X)

Please note that the number of adjusting washers may not be the same as shown in the exploded views.
(Adjustment will vary with each individual product.)

#	Part No.	Description	#	Part No.	Description	#	Part No.	Description
1	14278	Drag Knob Assembly	42	1009E	O Ring	83	1427Y	Bushing
2	1428Q	Spool Assembly	43	1009A	Line Roller	84	10DK0	Idle Gear
3	1427A	Retainer	44	10RFZ	Spacer	85	1428S	Idle Gear (Large)
4	10K3C	Key Washer B	45	10QY7	Bearing Spacer	86	141HD	Main Shaft Assembly
5	10R5H	Drag Washer A	46	141HC	Bail Assembly	87	1018D	Oscillating Pawl
6	1427B	Eared Washer	47	10TPC	Line Roller Support	88	1070D	Washer
7	10B9D	Key Washer	48	1009B	Bail Spring Guide A Bush	89	100WX	O Ring
8	10R4W	Drag Washer B	49	10SAN	Bail Spring Guide A	90	1009L	Oscillating Slider Bushing
9	10BQF	Drag Click Spring	50	101D9	Bail Spring Guide A Collar	91	10182	Oscillating Pawl Cover
10	102H5	Drag Click	51	105R6	Bail Spring	92	1055H	Screw
11	10A6F	Screw	52	107AB	Bail Spring Guide B	93	14280	Rear Protector
12	10BUB	Spool Washer	53	1427L	Bail Trip Lever	94	10PRZ	Screw
13	10PN3	Set Screw	54	1427M	Bail Hold Support Guard	95	10L6D	Screw
14	10THY	Spool Bearing Bushing	55	101D5	Rotor Ring	96	107FA	Ball Bearing
15	10J3F	Bushing	56	10QXQ	Friction Ring	97	1009S	O Ring
16	107V2	Ratchet Spring	57	100WT	Screw	98	1428T	Drive Gear
17	10SYS	Drag Click Ratchet	58	10S2L	Roller Clutch Assembly	99	1022D	Washer
18	103PE	Spool Support A	59	1009Z	O Ring	100	10EX6	Ball Bearing
19	103GW	Screw	60	1009Y	Roller Clutch Inner	101	14282	Bail Trip Strike
20	1076N	Retainer	61	100WY	Screw	102	1009W	Flange Water Proof
21	1017W	Bearing Water Proof	62	10DWD	Bearing Retainer	103	141HP	Side Cover Assembly
22	100RU	Washer	63	10DZB	Ball Bearing	104	1428L	Handle Assembly
23	10RDL	Main Shaft Collar	64	1428R	Pinion Gear	105	10PXV	Handle Shaft Seal
24	10DXE	O Ring	65	10SYU	Washer	108	141HJ	Handle Shank Assembly
25	1427D	Rotor Nut	66	10HE5	Washer	109	10PXZ	Bushing
26	1427E	Rotor Brim	67	104JZ	Ball Bearing	110	10R38	Handle Knob
27	1427F	Rotor	68	1427P	Idle Gear Spring	111	104FH	Washer
28	10HE7	Click Spring	69	1427Q	Idle Gear Shaft	112	10LFA	Screw
29	106ZC	Click Pin	70	1427R	Screw	113	141NY	Handle Knob Seal
30	1427G	Counter Weight	71	1427S	Screw			
31	103KS	Screw	72	1427T	Handle Screw Cap			
32	1427H	Bail Spring Cover	73	108WH	O Ring			
33	10PS2	Screw	74	10LZ6	Screw			
34	1427J	Bail Arm Fin	75	1427U	Body			
35	1427K	Bail Arm	76	1427V	Oscillating Guide			
36	105AA	Washer	77	1427W	Worm Shaft			
37	10PS5	Screw	78	10ECK	Washer			
38	10K90	Screw	79	10K9C	Washer			
39	10187	Collar	80	1009C	Bushing			
40	104VX	Ball Bearing	81	1427X	Worm Shaft Retainer			
41	1009K	Bushing	82	10QG5	Screw	114	14287	Bail Arm Fin (accessory)