

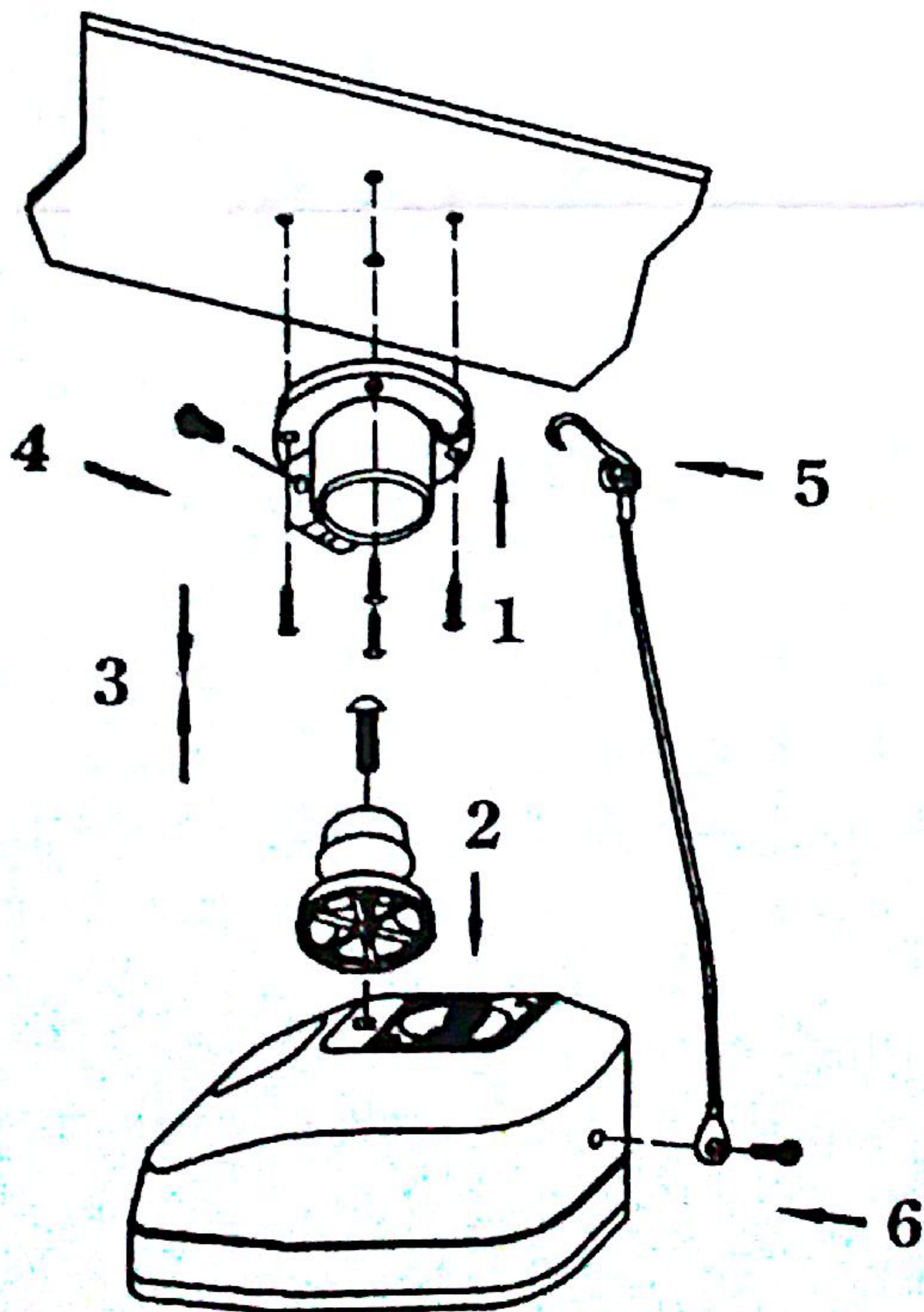
BOSS[®]

AUDIO SYSTEMS

SWIVEL BRACKET MOUNTING INSTRUCTION FOR MR30

WARNING : When adjusting the angle and direction of the speakers turn the speakers clockwise only Rotating the speaker counter clockwise will lead to eventual disengagement from the bracket

OPTION 1:



OPTION 2:

