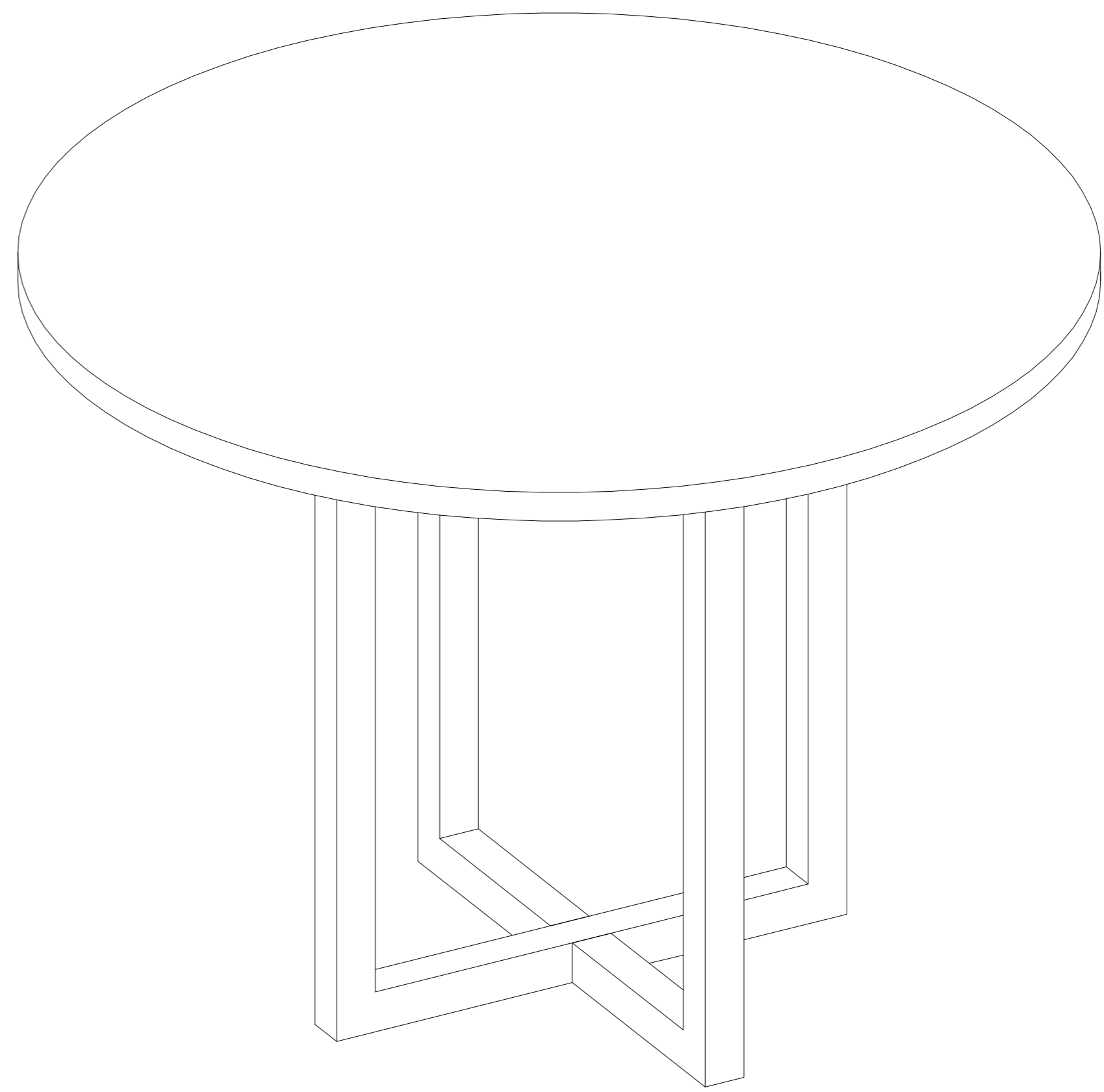
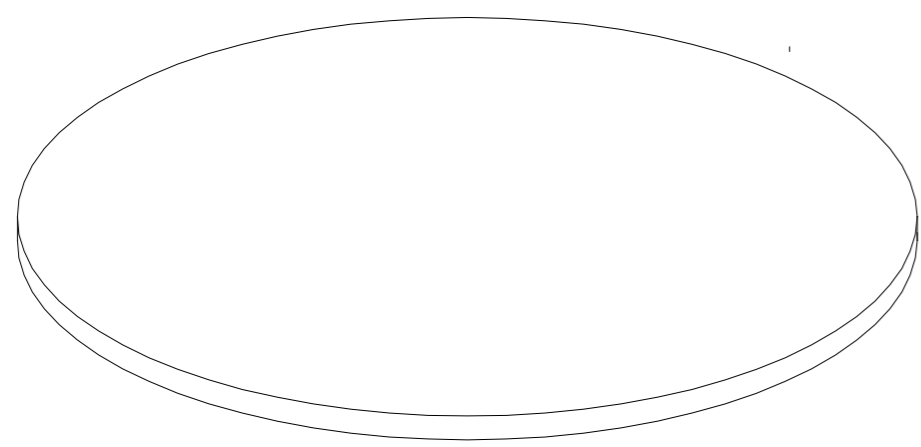


# AMALFI ROUND WOOD TABLE

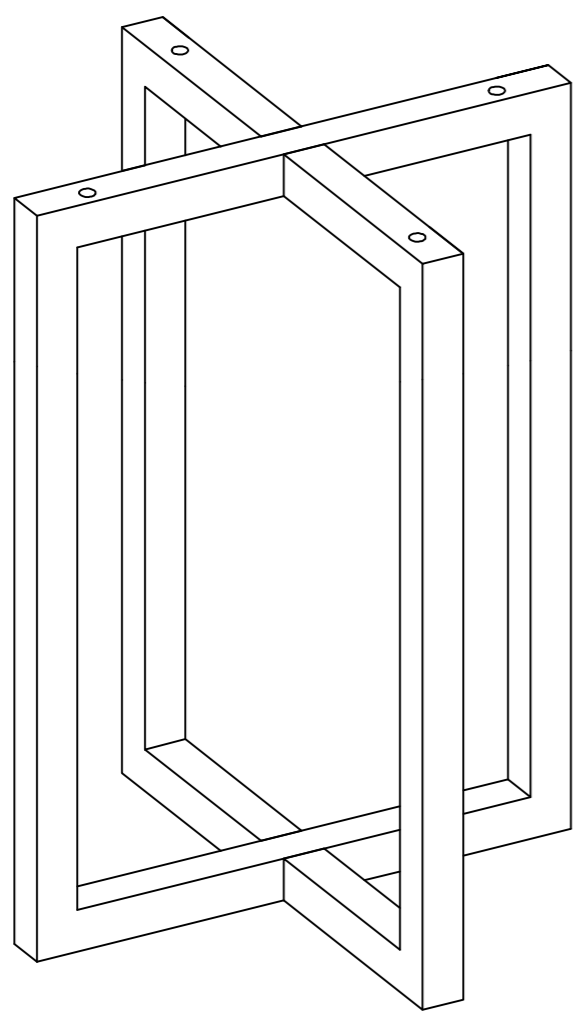


## ASSEMBLY INSTRUCTIONS

**BOX # 1**  
A. TABLE TOP 1PC



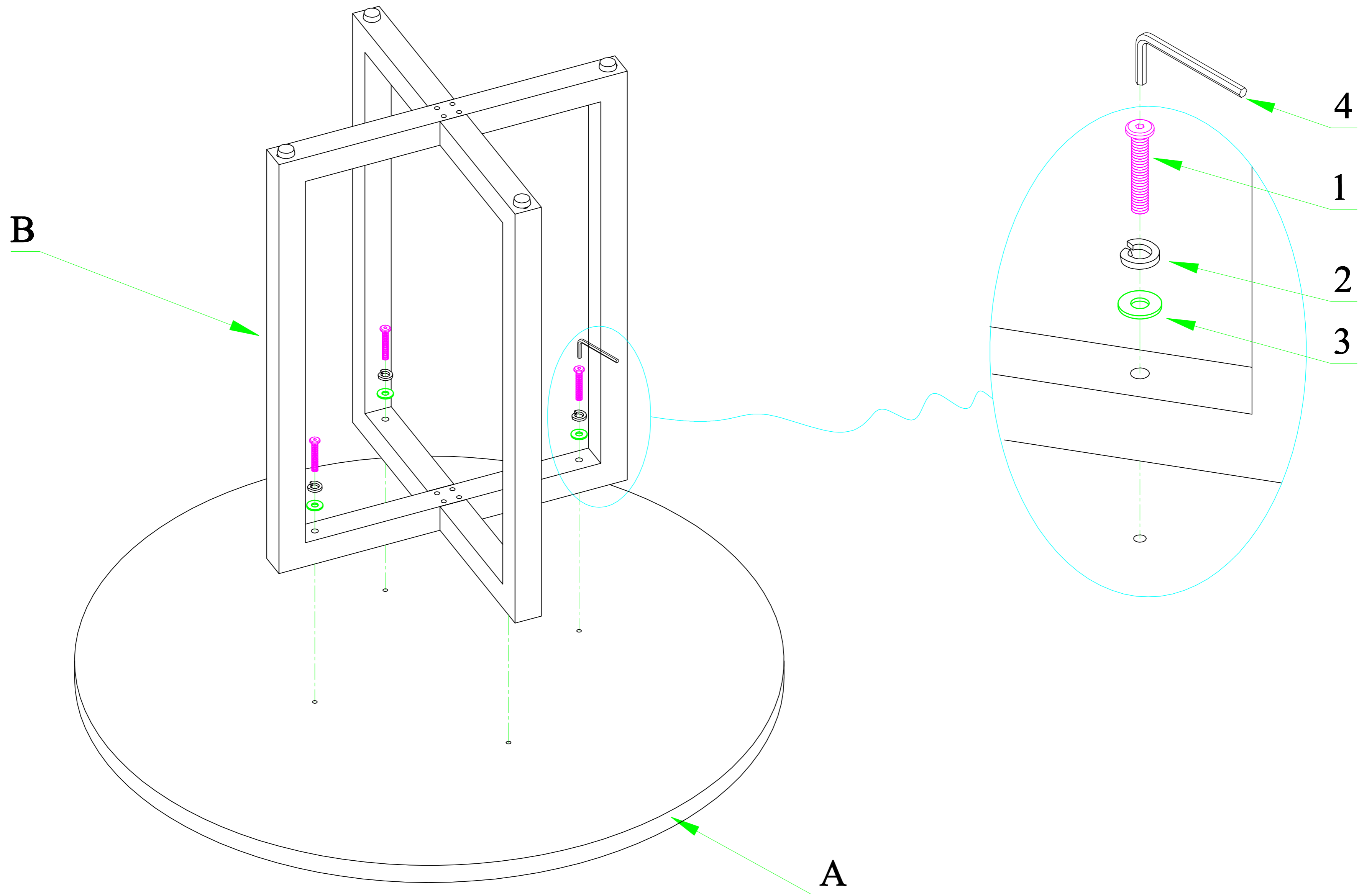
**BOX # 2**  
B. BASE 1PC



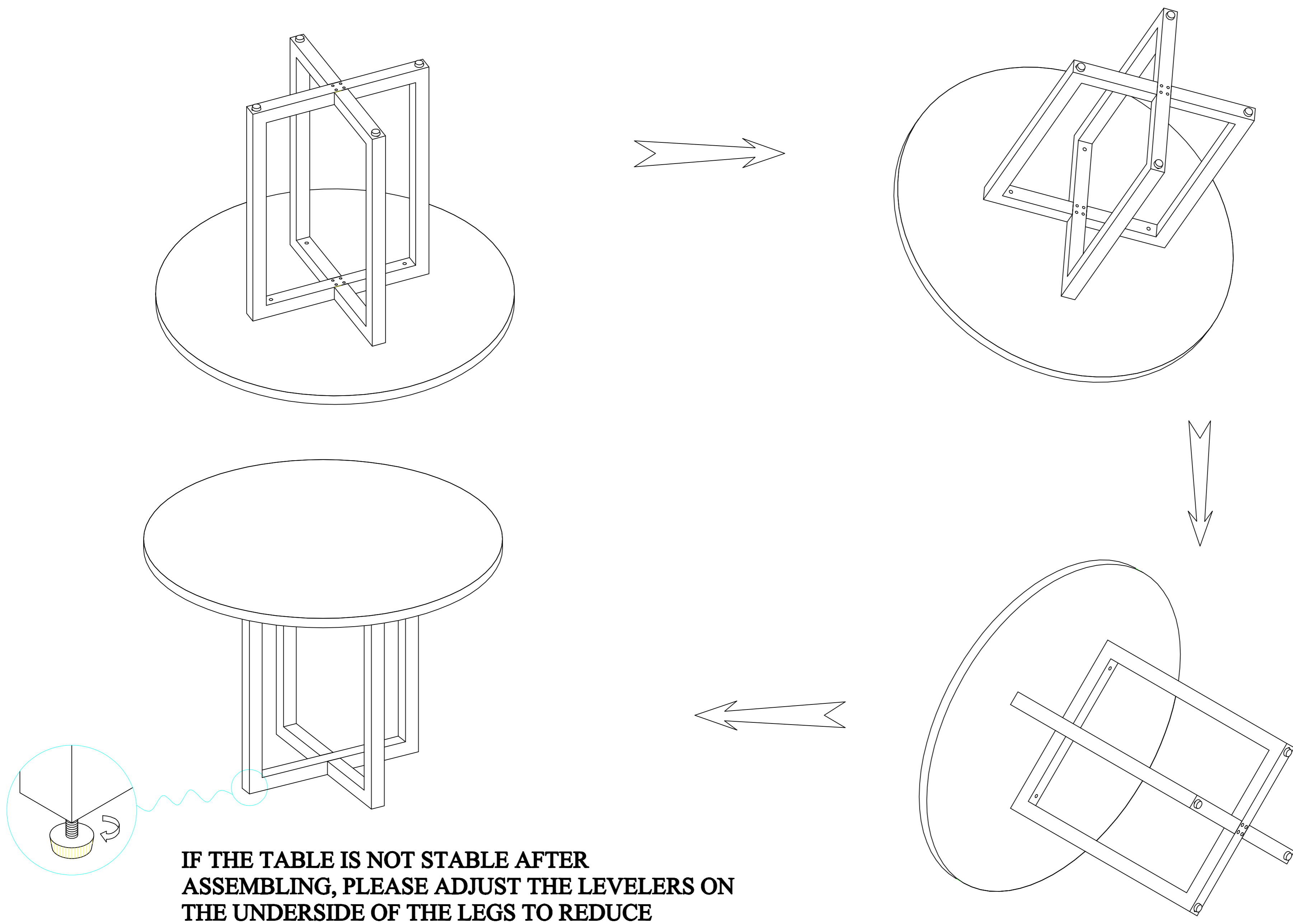
### HARDWARE PACKED IN BOX #1

1	ALLEN BOLT (M8X75)	4 PCS	2	SPRING WASHER (M8)	4 PCS	3	FLAT WASHER (M8)	4 PCS	4	ALLEN KEY (M5)	01 PC

**STEP 1: ON A FLAT, LEVEL AREA, LAY THE TABLE TOP (A) UPSIDE DOWN ON A CLEAN TOWEL OR BLANKET.**



**STEP 2: WITH THE HELP OF A SECOND PERSON, TURN THE ASSEMBLED TABLE RIGHTSIDE UP.**



**IF THE TABLE IS NOT STABLE AFTER ASSEMBLING, PLEASE ADJUST THE LEVELERS ON THE UNDERSIDE OF THE LEGS TO REDUCE WOBBLE.**