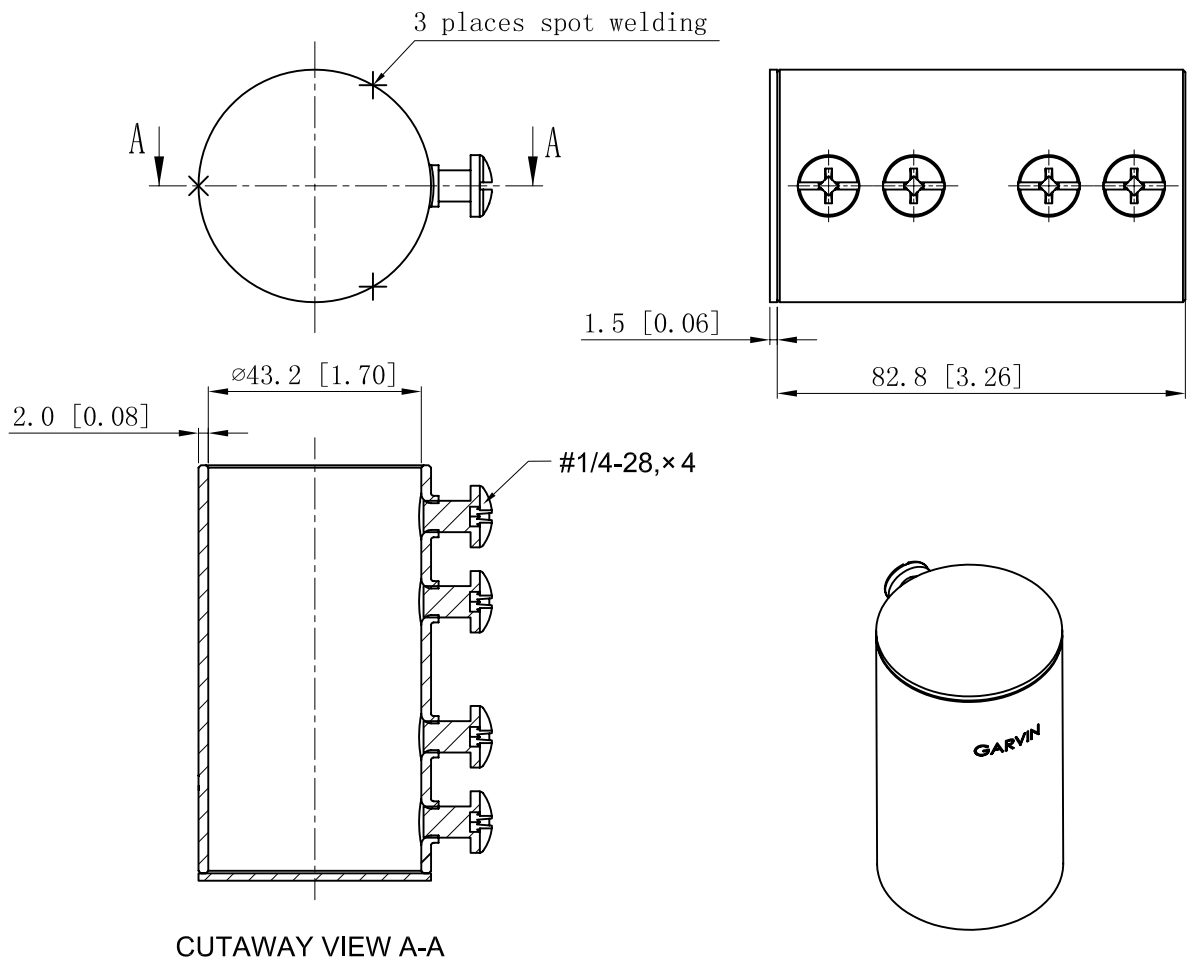


SIDES	BOTTOM
4 PCS #1/4-28×3/8 Screws Installed	
Material:Steel-WELDING TUBE Zinc Plated	



This data sheet is for reference only .GARVIN INDUSTRIES reserves the right to make changes to the design without prior notice.

DESCRIPTION
TRADE REFERENCE TERMS

STANDARD PACKING	<h1 style="margin: 0;">GARVIN INDUSTRIES</h1>		
25 Pcs			
TITLE	STEEL EMT SETREW COUPLINGS END CAPS TAMPERPROOF		
SIZE	DWG NO.	REV	
A4	CAPR125		
DATA SHEET			