



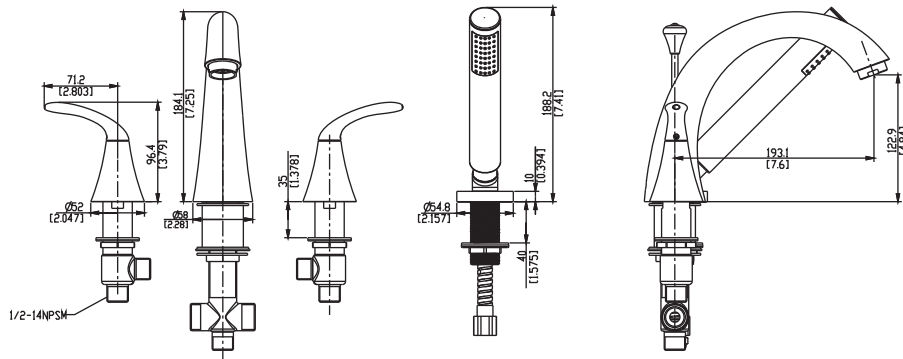
FR-AZ074 Installation Guide

For more information visit
www.ANZZI.com or call
1-844-44-ANZZI

FAWN 4 PC ROMAN TUB FILLER FAUCET



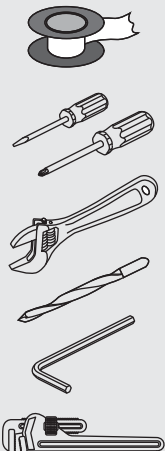
DIMENSIONS



■ For Reference only (unit = mm[inch])

FAUCET MAINTENANCE

RECOMMENDED TOOLS



CARE INSTRUCTIONS

To keep your faucet looking its best, please follow these simple care instructions:

DO:

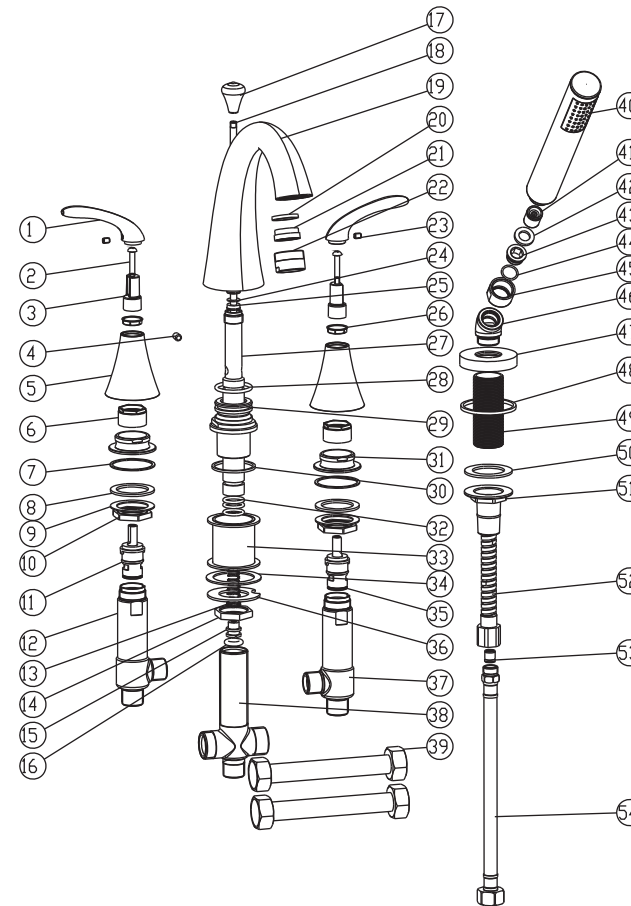
1. Remove as much surface dirt and film using clear water and a soft cotton cloth.
2. Use any of the following to remove tough surface film and build-up:
 - Mild liquid detergent
 - Non-acidic, non-abrasive gentle liquid cleanser
 - Non-abrasive liquid polisher.
3. Once clean, rinse faucet with clear water to thoroughly remove cleaner or polish and blot dry with soft cotton cloth.

DO NOT:

1. Use abrasive cleansers, cloths, or paper towels.
2. Use any cleaning agents containing acids, polish, waxes, alcohol, ammonia, bleach, solvents or any other corrosive or harsh chemical cleansers.

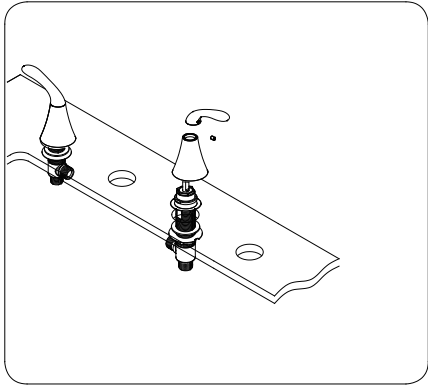
EXPLODED DRAWING

Please read the followings before installing and usage.



NO.	Part No	Part Desc	Qty
01	CTHZ0474	HANDLE	2
02	CTST0182	SCREW	2
03	CTCZ0237	STEM	2
04	CTST0137	SCREW	1
05	CTCZ0163	CAP	2
06	CTNZ0004	NUT	2
07	CTWR0347	WASHER	2
08	CTWR0276	WASHER	2
09	CTWT0065	WASHER	2
10	CTNT0022	NUT	2
11	ATBA0128	CARTRIDGE	1
12	CTPB0500	VAVLE	1
13	CTBT0070	SPRING	1
14	CTNB0156	NUT	1
15	CTDB0133	STOP	1
16	CTRR0139	O-RING	1
17	CTHB0119	PULL ROD	1
18	CTMT0032	PULL POLE	1
19	CTFB0220	BODY	1
20	CTWR0018	WASHER	1
21	CTQP0030	AERATOR	1
22	CTXB0021	AERATOR COVER	1
23	CTST0117	SCREW	2
24	CTWB0089	WASHER	1
25	CTRR0138	WASHER	2
26	CTCP0429	CAP	2
27	CTPB0405	SHANK	1
28	CTRR0137	O-RING	1
29	CTTB0035	SEATING	1
30	CTWR0060	WASHER	1
31	CTNB0326	NUT	2
32	CTRR0082	O-RING	3
33	CTCT0035	HOUSING	1
34	CTWR0115	WASHER	1
35	ATBA0127	CARTRIDGE	1
36	CTWT0038	WASHER	1
37	CTPB0501	VAVLE	1
38	CTPB0427	SHANK	1
39	ATBP0157	HOSE	2
40	ATBE0141	SHOWER	1
41	ATBA4028	VAVLE	1
42	CTWR0341	WASHER	1
43	CTSB0157	STEM	1
44	CTRR0009	O-RING	1
45	CTNB0338	NUT	1
46	CTPB0573	CONNECTOR	1
47	CTCB0638	SUPPORTER	1
48	CTWR0114	WASHER	1
49	CTPB0499	CONNECTOR	1
50	CTWR0061	WASHER	1
51	CTNB0016	NUT	1
52	ATBP0070	HOSE	1
53	ATBA0100	VAVLE	1
54	ATBP0071	HOSE	1

■ Notes: For reference only. We reserve the right to make changes without any notice.



Handle installation

Disassemble the cold water handle (identified by a blue dot). Leave the bottom retainer ring as well as the rubber and metal washers in place. From under the bathtub insert the cold water valve (identified by a C) in the hole located on the right of the spout hole.

Using the nut, adjust the height of the valve so the bottom of the flattened part of the threads is aligned with the top of the bathtub.

From the top, install the remaining rubber and metal washers. Screw the nut to secure the valve, handle flange and handle in place.

Repeat steps to install the handle and hot water valve (identified by an H) in the hole located on the left of the spout hole.

Step 2

Spout installation

Unscrew the Allen screw from behind the spout. Pull apart the spout from its connector (do not unscrew)

Unscrew the superior spout nut of the spout connector. Make sure that the nut and the metal and rubber washers are in place on the spout connector. From underneath the bathtub, insert the top of the connector in the hole between the two handles. From over the bathtub, screw the superior spout nut to secure the connector in place.

Place o-ring underneath the spout flange and reinstall the spout on the anti-turn pin, making sure to insert the stop rod in the stop hole. Tighten spout in place by screwing the Allen screw behind the spout.

Step 3

Hand shower holder installation

Unscrew the bottom nut and take off metal and rubber washers.

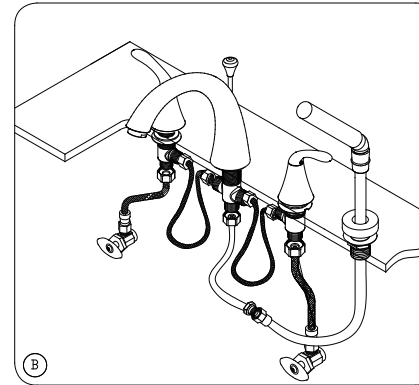
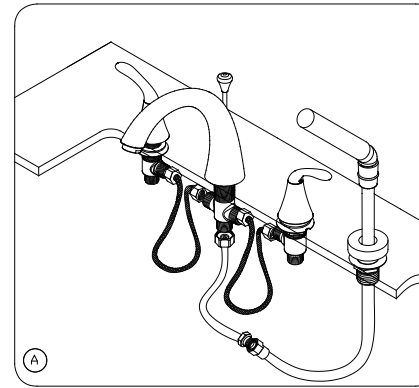
Insert the hand shower holder in the hole making sure to place the o-ring underneath the fix holder. From under, screw the rubber and metal washers, as well as the retainer ring to the holder in place.

Connect the hose to the hand shower, making sure that the rubber washer is in place. From above, slide the hose through the holder to sit the hand shower on its base.

Valve and water supply connection

Using the flexible connectors included, connect the valves to the spout connector. Use the extra flexible connector to join the spout to the hand shower hose. Tighten using appropriate tool (ill. A).

Connect hot and cold valves to the corresponding water supply lines using flexible connectors (not included) and tighten (ill.B).



Step 5

Testing connections

WARNING: Remove aerator before testing connections. Do not overtighten.

Verify that there are no leaks by slowly opening the hot and cold water. In case of a leak, shut off the water supply and tighten connectors 1/4 turn using the appropriate tool. Repeat if necessary.

Turn on the faucet and leave both hot and cold water running for at least one minute to evacuate the air trapped in the pipes. Turn off water.

Assemble the aerator as illustrated and insert into the spout, tightening by hand. You can now turn on water supply.

