

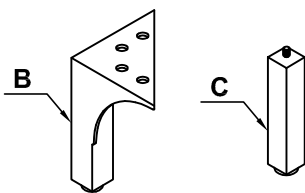
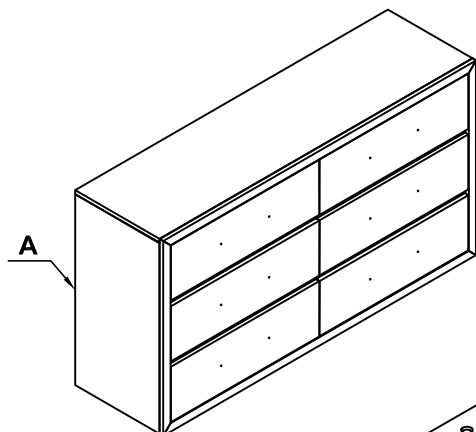
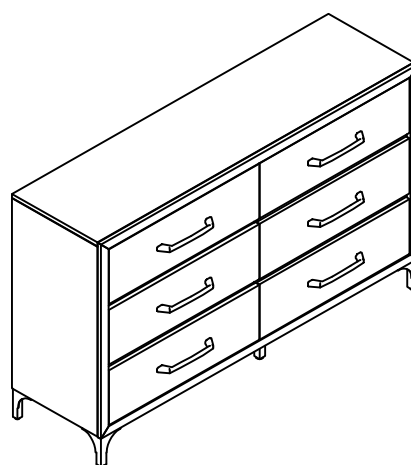
LUCERNE DRESSER ASSEMBLY INSTRUCTIONS



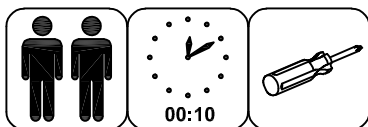
HARDWARE ENCLOSED IN CARTON

1	ALLEN BOLT (6x15mm)		16 PCS
2	SPRING WASHER (M6)		16 PCS
3	FLAT WASHER (M6)		16 PCS
4	ALLENKEY (M4)		1 PC

ASSEMBLY COMPLETE

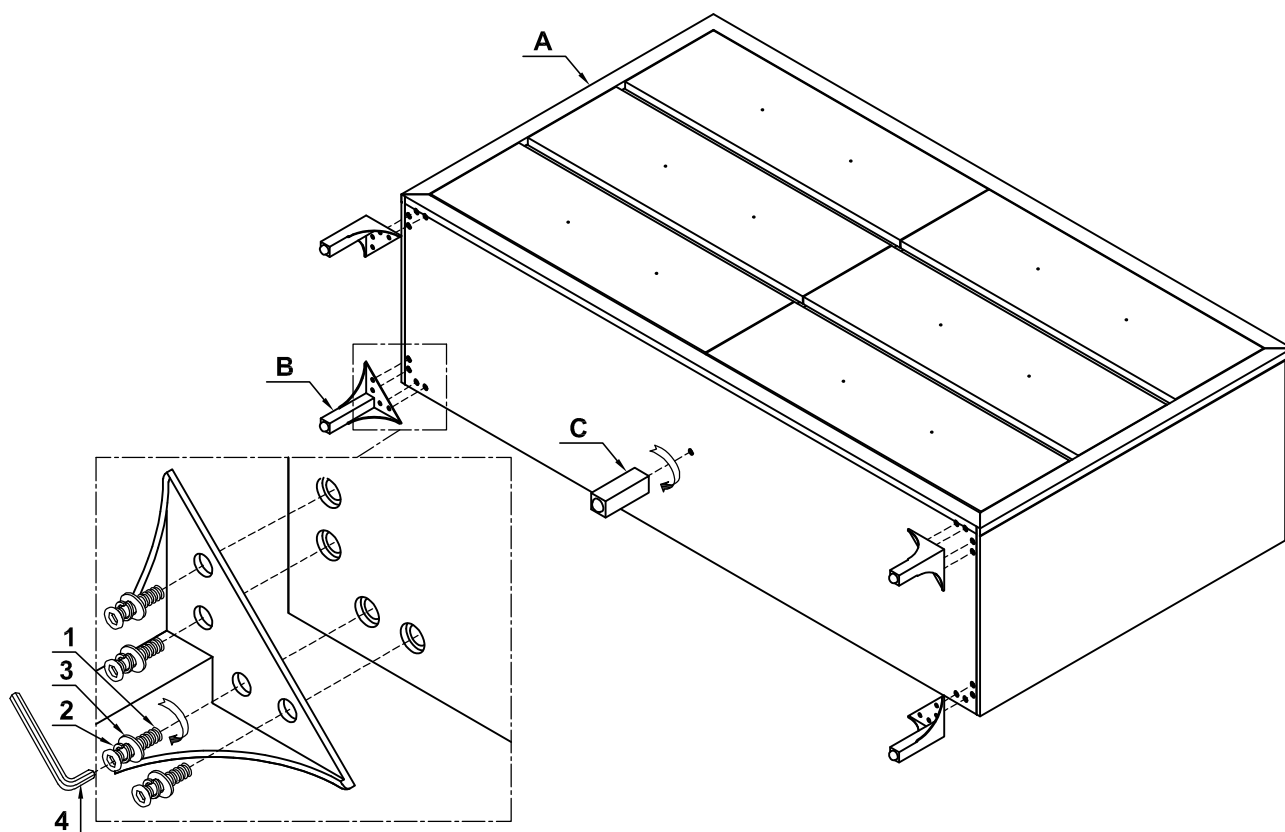


- A. CABINET 1PC
- B. LEGS 4PCS
- C. SUPPORT LEG 1PC



Not provided

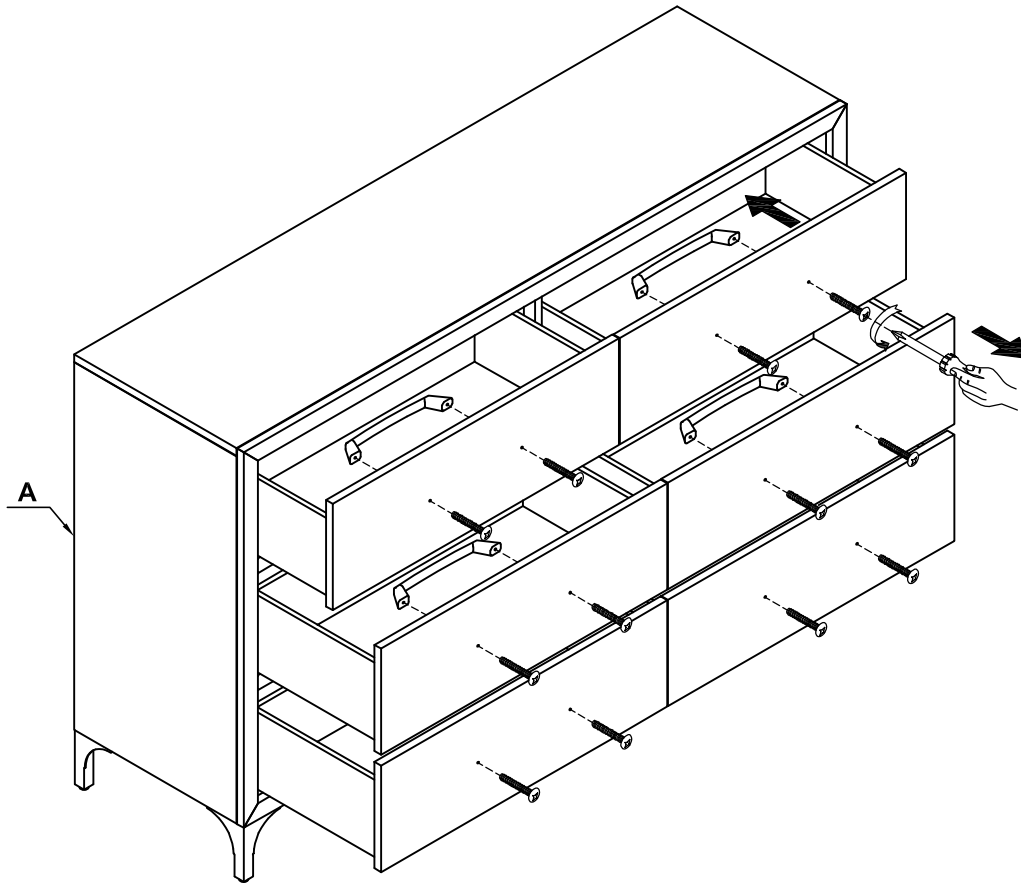
STEP 1:



LUCERNE DRESSER ASSEMBLY INSTRUCTIONS



STEP 2:



STEP 3:

