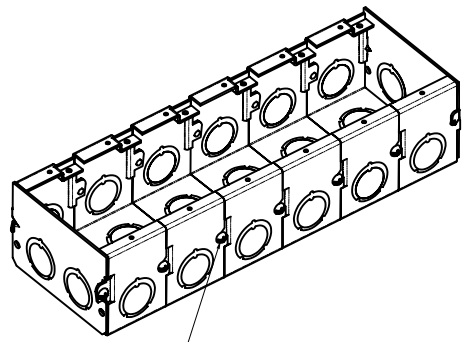
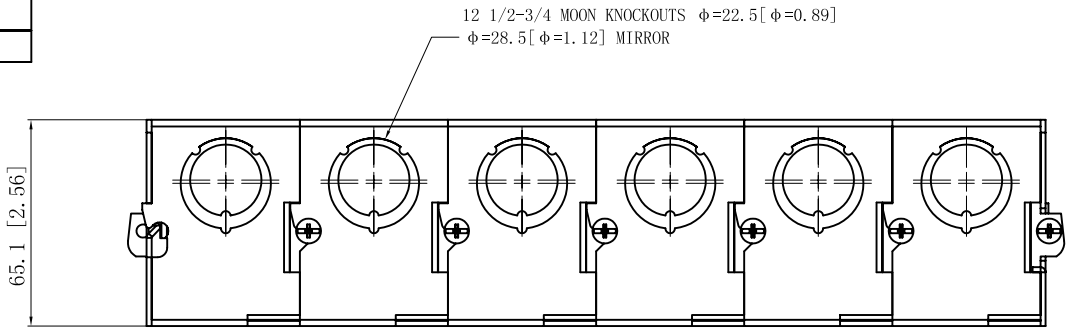
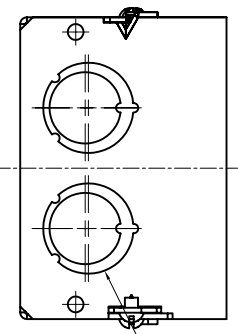
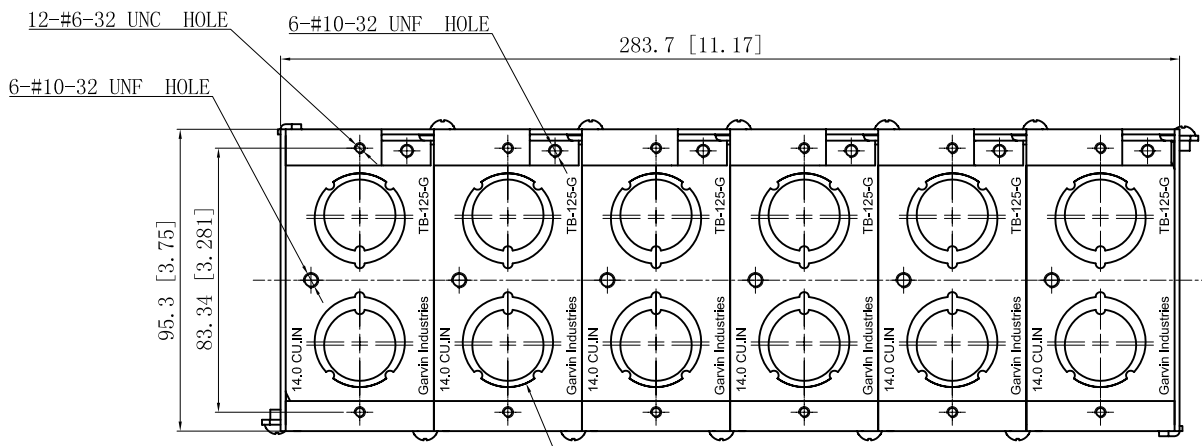


SIDES	BOTTOM
16 1/2"-3/4" MOON KNOCKOUTS	12 1/2"-3/4" MOON KNOCKOUTS
12 PCS 8-32x1/4 Screws Installed	
Material:Steel-0.0625"-G60 Galvanized	

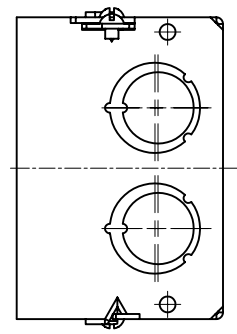


#8-32, X 12



4 1/2-3/4 MOON KNOCKOUTS $\phi=22.5$ [$\phi=0.89$]
 $\phi=28.5$ [$\phi=1.12$] MIRROR

12 1/2-3/4 MOON KNOCKOUTS $\phi=22.5$ [$\phi=0.89$]
 $\phi=28.5$ [$\phi=1.12$]



DESCRIPTION
TRADE REFERENCE TERMS

This data sheet is for reference only .GARVIN INDUSTRIES reserves the right to make changes to the design without prior notice.

STANDARD PACKING	GARVIN INDUSTRIES		
	TITLE GANGABLE MASONRY BOX 2-1/2" DEEP		
1 PCS	SIZE	DWG NO.	REV
	A4	TB-625-G	B
DATA SHEET			