

FEATURES

- High-tech electronic bidet seat
- EWATER+® auto-cleans wand and bowl after every use
- PREMIST® automatically mists the bowl before each use
- Gentle aerated, warm water, dual-action spray with oscillating and pulsating features
- Adjustable spray position, water temperature, and water pressure
- Instantaneous water heater for continuous warm water and energy savings
- Warm air dryer with five variable temperature settings
- Automatic air deodorizer
- 4-users' personalized memory settings
- Docking station for easy cleaning and installation
- Auto open/close lid
- Heated seat with temperature control
- Multifunction pearl white block-style remote control
- Night light
- Seamless seat design eliminates the gap where dirt collects

MODELS

- SW4735#01

COLORS/FINISHES

- #01 Cotton

PRODUCT SPECIFICATION

Seat shall have gentle aerated, warm water, and dual action spray with cycling movement. Seat shall have adjustable water temperature and volume. Seat shall have warm air drying with five variable temperature settings. Seat shall have automatic air deodorizer. Seat shall include wireless remote control. Seat shall be solid plastic with closed front seat and cover. Seat shall include power cord, and water supply hoses. EWATER+ cleans the bowl and wand. Seat shall be model SW4735#01.



CODES/STANDARDS

- Meets and exceeds ASME A112.4.2, ASME A112.18.1/CSA B125.1, UL 1431, CSA C22.2 #68 and back siphonage testing to ASSE 1001 and CSA B64.1.1
- Certifications: IAPMO(cUPC), State of Massachusetts, City of Los Angeles and others
- Code Compliance: UPC, IPC, NSPC, NPC Canada, and others
- Complies with CA Prop 65 warning requirements



SPECIFICATIONS

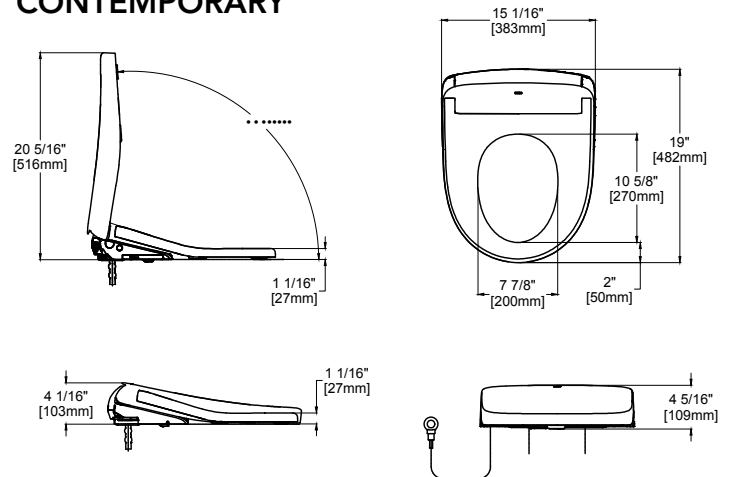
| | |
|--------------------------------|--|
| Power Rating | AC 120 V, 60 Hz |
| Power Consumption | 1295 W |
| Max Power Consumption | 1453 W |
| Power Cord Length | 3.9 ft (1.2m) |
| Spray Volume | Rear Cleansing: 0.08 – 0.11 gal/min Rear Soft Cleansing: 0.08 – 0.11 gal/min Front Cleansing: 0.08 – 0.11 gal/min Wide Front Cleansing: 0.09 – 0.11 gal/min |
| Spray Features | Adjustable Surface Temp: 82°F - 97°F (28°C - 36°C) Safety Device: Temperature Fuse |
| Warm Air Dryer Features | Adjustable Air Temp: 95°F - 140°F (35°C - 60°C) Airflow Volume: 8.83 ft ³ /min Safety Device: Temperature Fuse |
| Heated Seat Features | Adjustable Surface Temp: 86°F - 104°F (30°C - 40°C) Safety Device: Temperature Fuse |
| Water Supply Pressure | Minimum: 7.25 PSI (Flowing) Maximum: 108.75 PSI (Static) |
| Ambient Temp. | 32°F - 104°F (0°C - 40°C) |
| Warranty | One Year Limited Warranty |
| Shipping Weight | SW4735: 14.8 lbs |
| Shipping Dimensions | SW4735: 23-3/8" L x 17-5/8" W x 6-1/4" H |

INSTALLATION NOTES

- For use with potable water only. Do not use with recycled water.
- It is highly recommended to use a surge protector to prevent damage in the event of a power surge.
- The following factors may affect IR signal strength and top unit operation: product and remote control location, room size, shape, construction materials, and degree of darkness (color) of ceiling and walls.

DIMENSIONS

CONTEMPORARY



*GFCI outlet of 120V, 15amps.
Power cord is 3.9' long with 3 prongs.

**Consult local electric code for GFCI location and installation requirements