
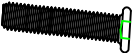








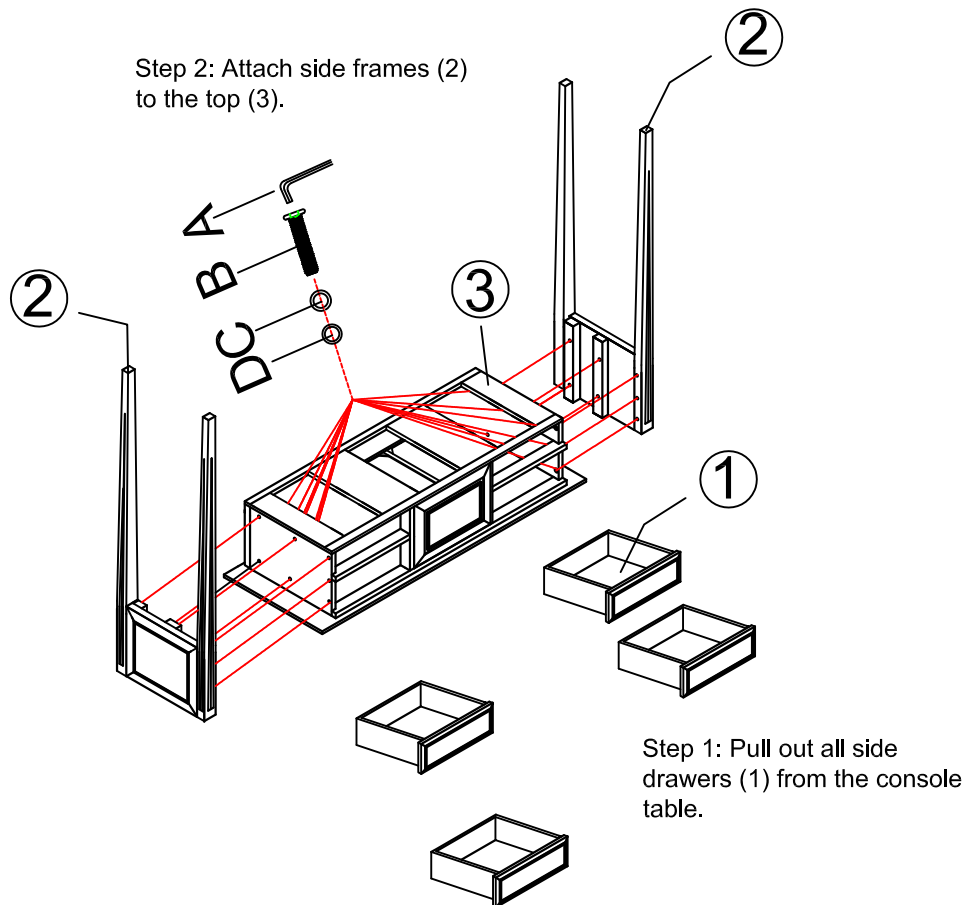
ITEM: 6750-85013-34 Five-Drawer Console Table

Thank you for purchasing this quality product. Be sure to unpack carefully looking for small parts which may have come loose during shipment.

Read all instruction and study the drawing carefully before starting the assembly process.

HARDWARE PACK				
NO.	DRAWING	DESCRIPTION	SIZE	Q'TY
A		Allen Wrench	5mm	1PC
B		Bolt	5/16"	14PCS
C		Lock Washer	5/16"	14PCS
D		Flat Washer	5/16"	14PCS
E		Anti-Tip Kit		1PC

PART LIST			
NO.	DRAWING	DESCRIPTION	Q'TY
1		Side Drawer	4PCS
2		Side Frame	2PCS
3		Top	1PC

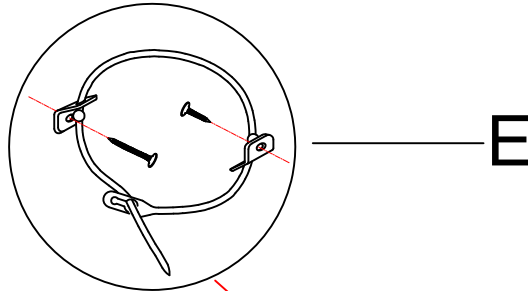


ITEM: 6750-85013-34 Five-Drawer Console Table

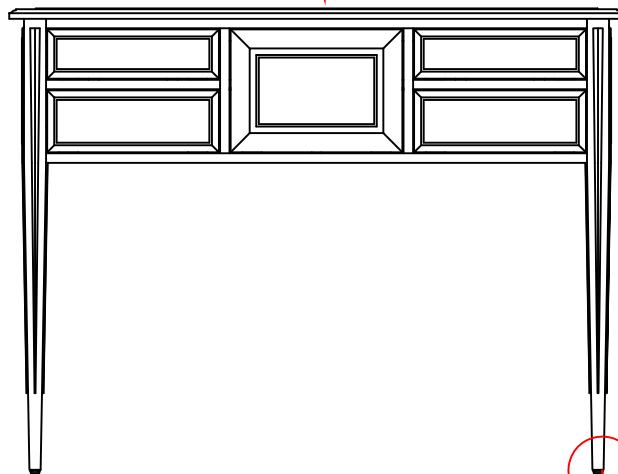
Thank you for purchasing this quality product. Be sure to unpack carefully looking for small parts which may have come loose during shipment.

Read all instruction and study the drawing carefully before starting the assembly process.

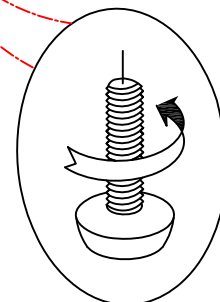
Tipping Restraint



Anti-tip kit is included for use.  
We recommend installing for  
safety reason



Adjust Leveler if needed  
to level case on uneven  
floor.



STEP 3