

Features

- One-piece wall-hung toilet.
- Compact elongated bowl offers added comfort while occupying the same space as a round-front bowl.
- Mounting hardware is completely concealed, giving Veil a sleek, seamless look that is easy to clean.
- Adjustable durable steel frame carrier allows the bowl to be set anywhere from 15-3/8 inches to 28-1/2 inches from floor.
- Dual-flush actuator offers a choice of 0.8 or 1.6 gpf (3.0 or 6.0 lpf).
- Includes Reveal® Quiet-Close™ seat, wall-hung bowl, flush actuator, and in-wall carrier.
- Large flush actuator plate is easily removed, allowing access to inner tank and flush valve for service.

Technology

- Dual-flush technology allows you to choose between a full- or partial-flush.

Installation

- Durable steel frame for 2" x 6" installation.
- When installed per KOHLER's installation instructions, the KOHLER in-wall tank and carrier system can support up to 880 lbs. without damage.
- Supply line sold separately.

Water Conservation & Rebates

- Eligible for consumer rebates in some municipalities.

Recommended Products/Accessories

K-23726 Drain treatment

Included Components

Product consists of:

K-6284 2"x6" In-Wall Tank and Carrier System

K-6299 wall-hung elongated dual-flush toilet

K-6298 Flush Actuator Plate

Additional Components:

Toilet Seat



Codes/Standards






ASME A112.19.2/CSA B45.1
ASME A112.19.14
ASME A112.6.2
DOE - Energy Policy Act 1992
EPA WaterSense®

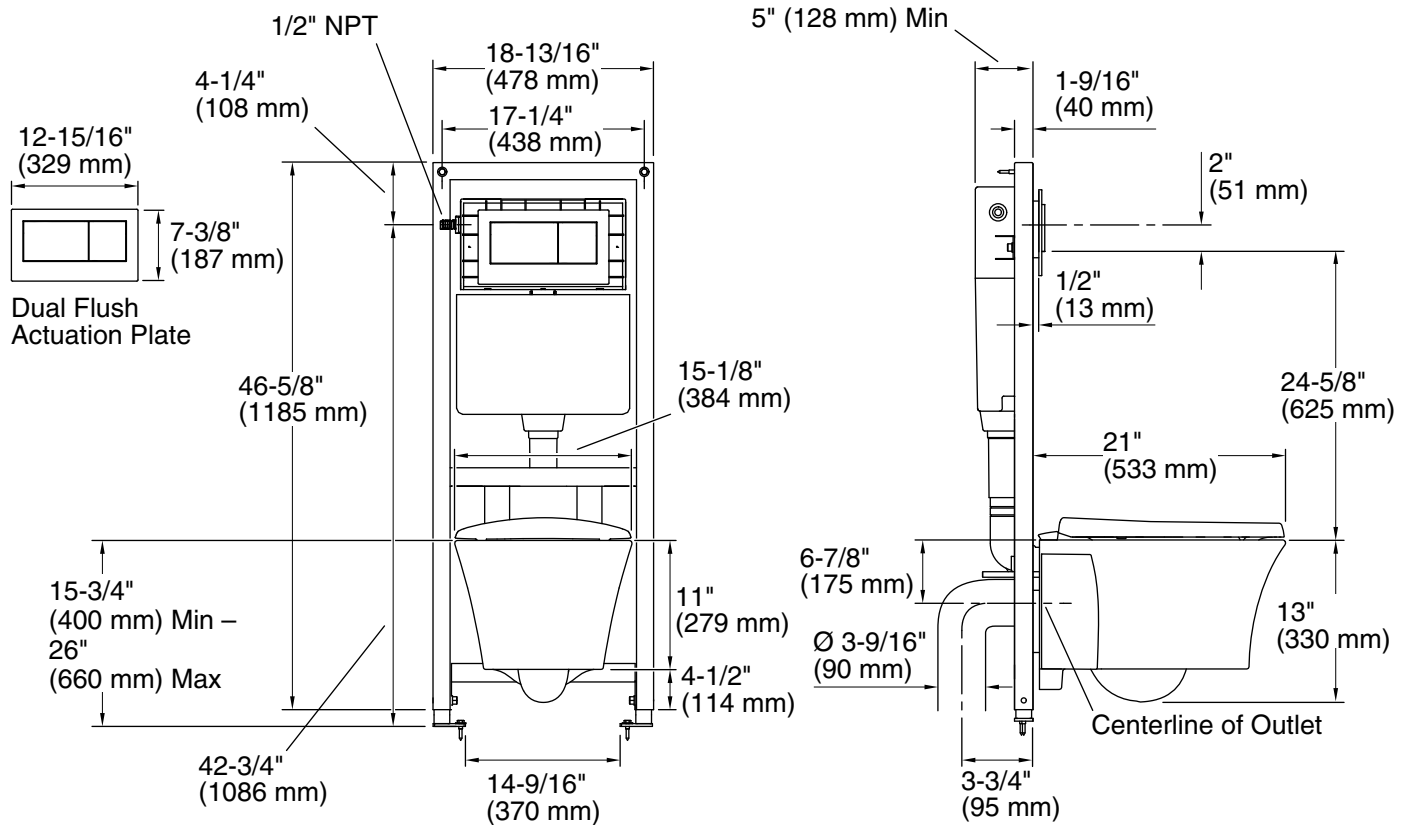
KOHLER® Toilets and Seats Limited Warranty

See website for detailed warranty information.

Available Colors/Finishes

Color tiles intended for reference only.

Color	Code	Description
	0	White
	96	Biscuit
	47	Almond
	NY	Dune
	7	Black Black™



Technical Information

All product dimensions are nominal.

Toilet type:	In-wall, Wall-mount
Waste Outlet:	Wall
Bowl shape:	Elongated
Trap passageway:	3" (76 mm)
Water Consumption	
Full:	1.6 gpf (6 lpf)
Reduced:	0.8 gpf (3 lpf)
Water surface size:	4-1/2" x 5-1/2" (114 mm x 140 mm)
Seat-mounting holes:	5-1/2" (140 mm)

Notes

Install this product according to the installation instructions.

Installation requires 2x6 framing.

Refer to manufacturer and local codes for flush valve requirements.

Install the in-wall tank and carrier system in a wall opening 5-1/2" (140 mm) x 19" (483 mm) x 50" (1270 mm) minimum.

K-4670 is the recommended toilet seat for public use accessible installations.