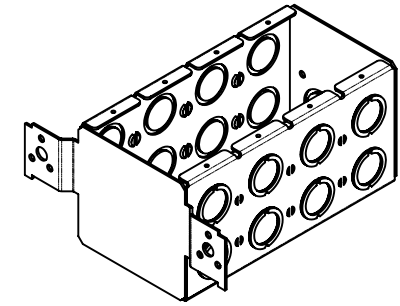
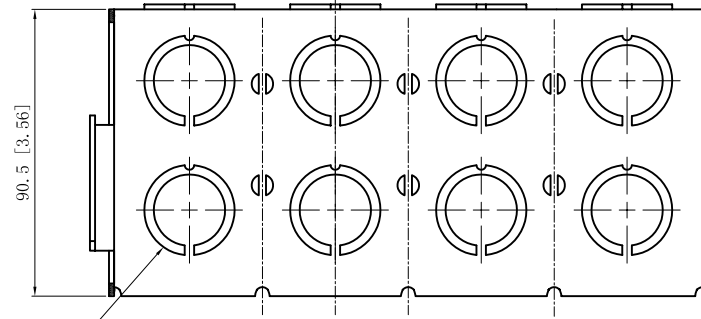
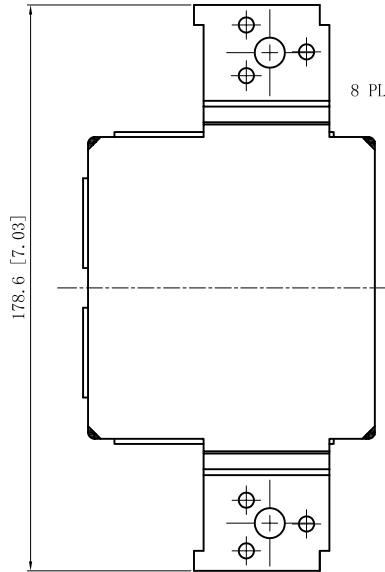


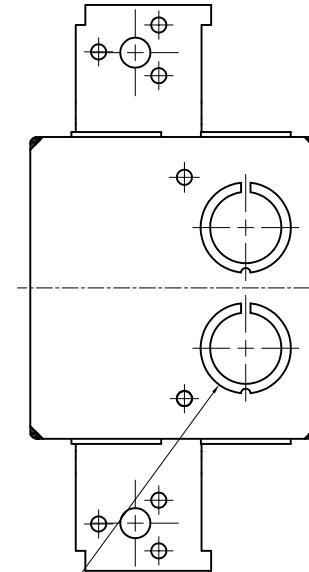
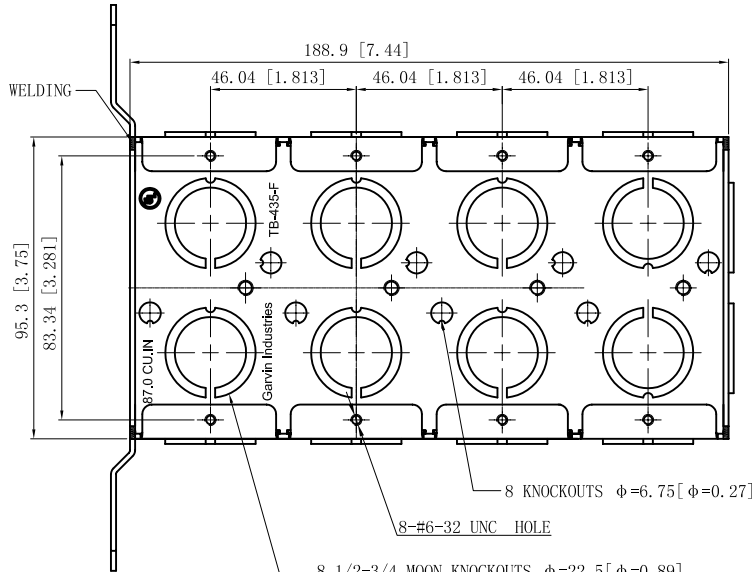
SIDES	BOTTOM
18 1/2"-3/4" MOON KNOCKOUTS	8 KNOCKOUTS
	8 1/2"-3/4" MOON KNOCKOUTS
Material: Steel-0.0625"-G60 Galvanized	



16 1/2-3/4 MOON KNOCKOUTS $\phi=22.5$ [$\phi=0.89$]
 $\phi=28.5$ [$\phi=1.12$] MIRROR



8 PLACES SPOT WELDING



2 1/2-3/4 MOON KNOCKOUTS $\phi=22.5$ [$\phi=0.89$]
 $\phi=28.5$ [$\phi=1.12$] MIRROR

This data sheet is for reference only .GARVIN INDUSTRIES reserves the right to make changes to the design without prior notice.

DESCRIPTION
TRADE REFERENCE TERMS

STANDARD PACKING
5 PCS

GARVIN INDUSTRIES		
TITLE SOLID MASONRY BOXS WITH "F" STYLE BRACKET		
SIZE A4	DWG NO. TB-435-F	REV B
DATA SHEET		