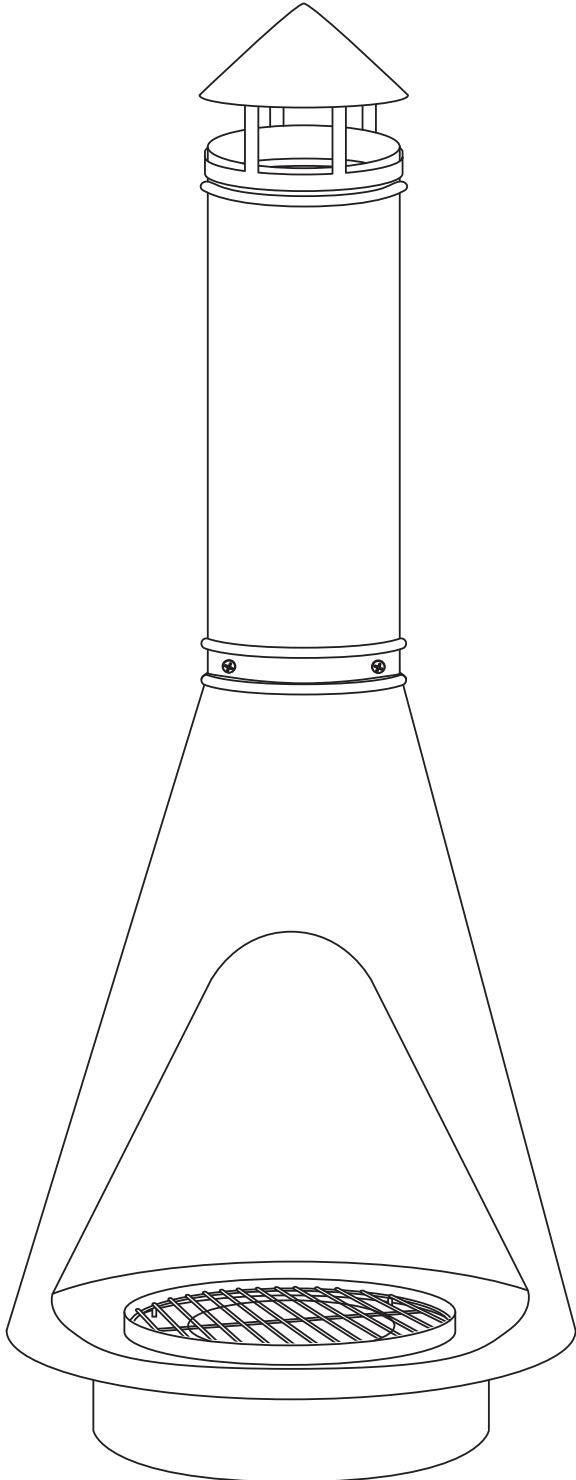




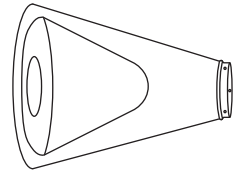




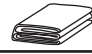
Thank you for choosing Sunnydaze Decor. We stand behind our brand and the quality of the items we sell. Replacement parts or products will be sent at our discretion within the 1-year warranty period. Proof of purchase, with the date of purchase as well as photos of the merchandise defect, must be provided. Photos are used to determine the cause of defects and for future quality control. Register your warranty at <https://tiny.cc/SunnydazeWarranty>. If you have any questions, comments or concerns, feel free to contact us by phone at 833-982-1977, by email: [customerservice@sunnydazedecor.com](mailto:customerservice@sunnydazedecor.com), or via our contact us page at <https://tiny.cc/SunnydazeContact>

# OPEN-ACCESS OUTDOOR CHIMINEA KF-614

Read all assembly and care instructions carefully before using this product. Save this manual for future reference.  
**Assemble components on a soft, clean surface to avoid damaging the finish.**










Inspect packaging to ensure all parts are accounted for before disposing of packing materials.  
Save the packing slip.

No.	PARTS		QTY.
A		Base	1
B		Main Body	1
C		Flue	1
D		Rain Cap	1
E		Nested Ring	1
F		Wood Grate	1
W		Cover	1



**SCAN THIS CODE WITH YOUR SMARTPHONE TO VIEW OUR ASSEMBLY VIDEO**

No.	HARDWARE & TOOLS		QTY.
T		1/4" x 3/4" Bolt	3
U		Washer	3
V		Nut	3
X		Hex Key	1
Y		Spanner	1
Z		Poker	1

**! WARNING !**  
**CHOKING HAZARD** — This item contains small parts that can be swallowed. Keep children and pets away during assembly.

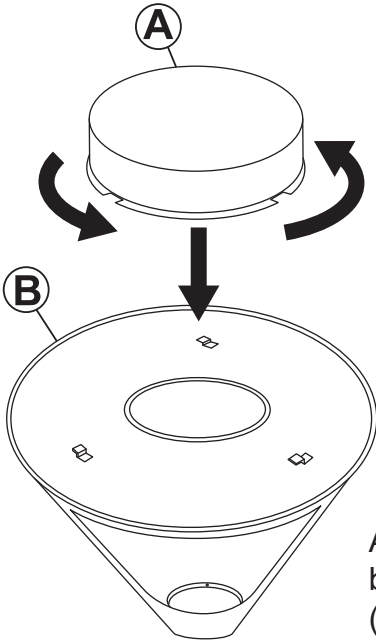
**! WARNING:** Manufacturer and seller expressly disclaim any and all liability from personal injury, property damage or loss, whether direct or indirect, or incidental, resulting from the incorrect attachment, improper use, inadequate maintenance, or neglect of this product.

# ASSEMBLY

## STEP 1

A: 1

B: 1



Align Base (A) with the bottom of Main Body (B), twist to secure.  
Flip the unit upright.

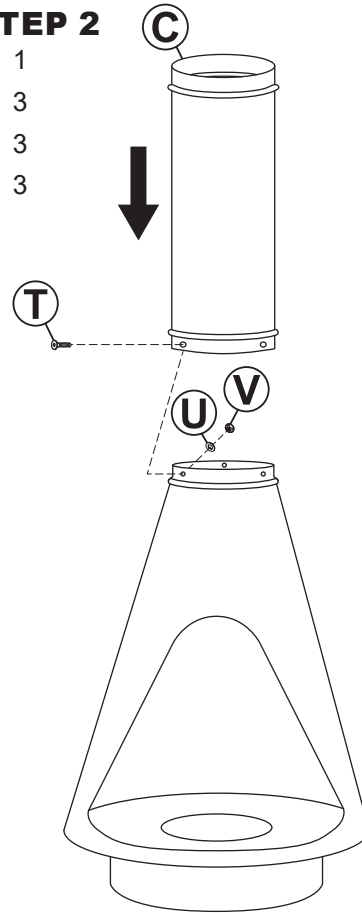
## STEP 2

C: 1

T: 3

U: 3

V: 3



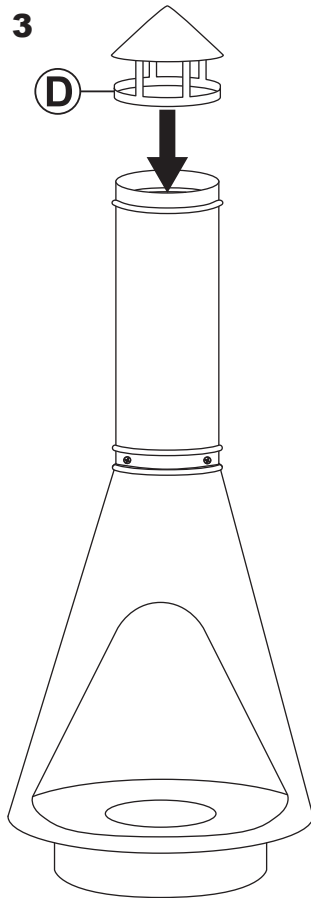
Align Flue (C) with the top of the main body and secure using three 1/4" x 3/4" Bolts (T), Washers (U), and Nuts (V).

## STEP 3

A: 2

1: 3

2: 4



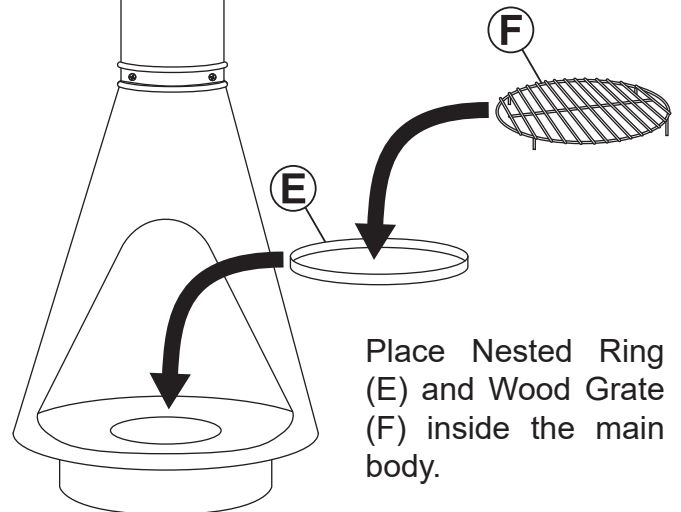
Place Rain Cap (D) on top of the flue.

## STEP 4

A: 2

1: 3

2: 4



Place Nested Ring (E) and Wood Grate (F) inside the main body.

# CARE & MAINTENANCE

**SAFE USE:** Always use chimineas on a flat, non-combustible surface such as concrete, rock, or stone. Do not use this unit on a wood deck or any other combustible surfaces like dry grass, leaves, mulch, etc. Never use it in an area with an overhead structure or near any unprotected combustible constructions like vinyl or wood siding. Avoid using near or under overhanging trees and shrubs.

The unit will become extremely hot while in use. Always use the poker and heat-resistant gloves when maintaining a fire.

**NO ACCELERANTS, NO PLASTICS:** Never use an accelerant, i.e. gasoline or kerosene, to start a fire; this is dangerous and can damage your chiminea.

Never put any plastic materials in or nearby a fire. The emissions from burning plastic are toxic. Additionally, plastic residue is very difficult to remove.

**EXTINGUISH:** Let fires gradually die down and go out on its own. DO NOT use water to put out a fire as the sudden drop in temperature may damage the metal and/or cause serious injury.

**EXPOSURE & MAINTENANCE:** Long-term exposure to high-intensity heat can cause the high-temperature paint to flake or burn off the steel. If the paint burns off and the steel is exposed to moisture, it will rust. As with any outdoor steel product, periodic maintenance is required to maintain integrity and appearance. Remove rust and refinish with a paint that is suitable for high-temperature surfaces; carefully follow the paint manufacturer instructions and ensure the paint is completely dry before using the unit again.

**WARNING:** The one-year warranty does not cover damages or defects caused by painting and/or repairs.

**CLEANING:** Remove ashes and debris from the unit before every use. Ensure the chiminea and ashes are completely cool before cleaning. Ashes can remain hot long after a fire dies down. If you feel heat when your hand is close to the metal or the ashes, the unit is too hot to clean.

**COVER AND STORE:** Ensure the entire unit is completely cool before covering. Always clean the unit before covering it. Do not allow the unit to be exposed to water. The manufacturer is not liable for damage resulting from general use and/or environmental conditions. Store in a dry location; this will protect it from the effects of weather elements.

## SAFETY STATEMENTS & WARNINGS

- For outdoor use only. Never use this product in an enclosed area.
- Always follow local laws and regulations when using wood-burning fire pits and chimineas.
- Exercise the same care and precautions as you would with an open fire.
- Always supervise children and pets when they are in proximity of this product, whether it is in use or not in use.
- Never use any fire pit or chiminea during dry or windy conditions.
- Keep unit a safe distance away from buildings, balconies, or overhangs when in use.
- Do not use on or near combustible surfaces or structures such as wood decks, dry leaves or grass, mulch, vinyl or wood siding, etc.
- Only use this chiminea on a level, non-combustible surface.
- Keep away from all combustible materials including gasoline and other flammable liquids and vapors.
- Never use accelerants such as, but not limited to, gasoline, alcohol, paint thinners, kerosene, as this may cause serious injury or product damage.
- Do not overfill or use this unit or use it to burn leaves or trash.
- The chiminea becomes very hot when in use and ashes can remain hot for a long time after fire is extinguished. Let the unit completely cool before cleaning or moving. Dispose of cold ashes properly.
- Never leave unit unattended while hot or in use.
- Extinguish fires properly before leaving the unit unattended. If necessary, use a fire extinguisher or sand to smother the fire. NEVER use water to extinguish hot fires or embers as doing so may cause serious injury and/or permanently damage the product.
- Ensure the unit is completely cool before covering, failure to do so will damage the cover and the unit.
- DO NOT USE CHEMICAL-BASED CLEANERS as this may damage the product and/or ignite a flame during the next use.

**Contact the local authorities regarding possible burn restrictions before using this product.**

**Any modification to the product or failure to follow recommended care will void the product warranty.**

## WARNING:

Manufacturer and seller expressly disclaim any and all liability from personal injury, property damage or loss, whether direct or indirect, or incidental, resulting from the incorrect attachment, improper use, inadequate maintenance, or neglect of this product.