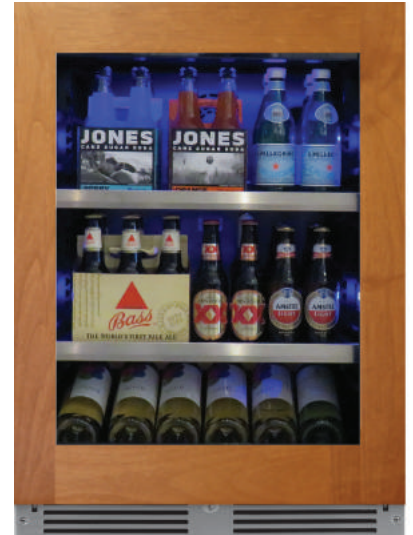




XOU24BCGO_
UNDERCOUNTER BEVERAGE CENTER
GLASS OVERLAY



Zero clearance hinges
for a flush installation

Fully extending telescoping
glass shelves let you see
everything

Tri-color interior LED lighting

24" UNDERCOUNTER BEVERAGE CENTER with OVERLAY FRAME DOOR

Store up to 145 (12oz) cans at a frosty 34° to 50°F and still find just what you are looking for. The clear glass shelves fully extend while fully loaded enabling you to see the entire contents at a glance. No more fumbling around or emptying the unit to find what you want.

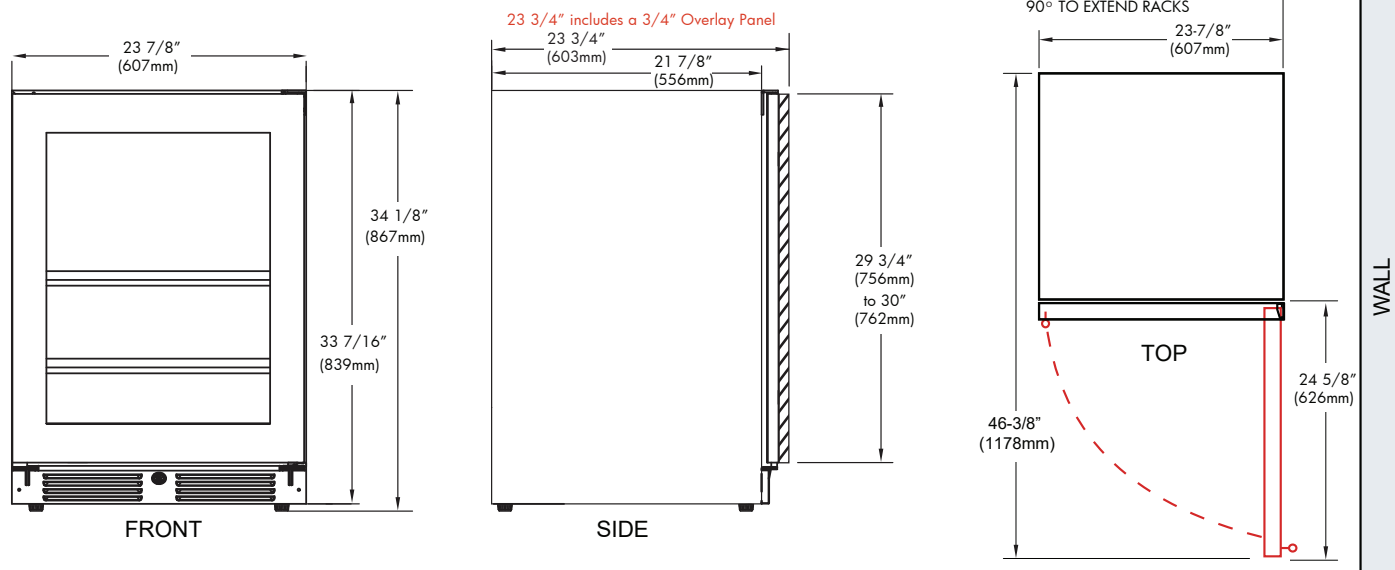
And because beverages come in all shapes and sizes, the shelves of your XO beverage center can quickly adjust to 15 different positions.

WORLD CLASS SERVICE | COMPREHENSIVE WARRANTIES

OUR LASTING COMMITMENT TO YOU



*Specify **R** for right hand hinge - or - **L** for left hand hinge



FEATURES | **SPECIFICATIONS**

CAPACITY Full extension smooth glide racks hold 145 (12oz) cans at 34° to 50°F

Zero clearance hinges for flush integration*
Secure door lock

FEATURES Non-reversible door - specify right or left hinge
Library quiet 39 dBA operation
Elegant tri-color interior illumination
Removable 6 bottle wine rack
Intuitive digital touch controls
6-1/2' Power Cord with low profile 90° flat plug
Low E Glass blocks harmful UV light
Alarm Functions
Energy Saver and Sabbath Mode

* Note: zero clearance hinges are visible just above and below the door panel

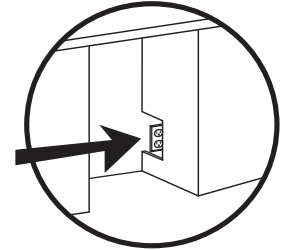
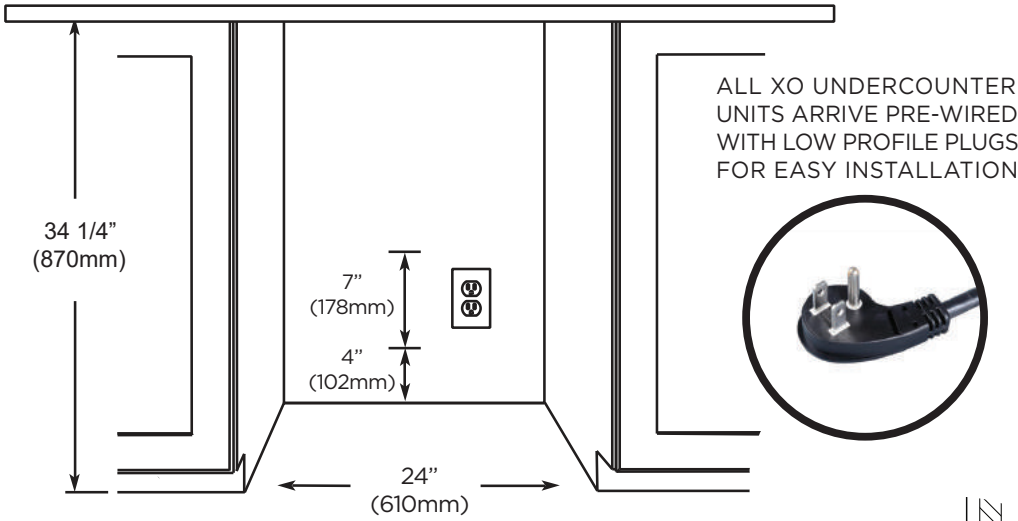
| | |
|--------------------|---|
| ELECTRICAL | 120V 60HZ 4.35 AMP* |
| DIMENSIONS | H 34 1/8" W 23 7/8" D 23 3/4" (w 3/4" finish panel) |
| ROUGH IN | H 34 1/4" min W 24" D 24" |
| REFRIGERANT | R600A |



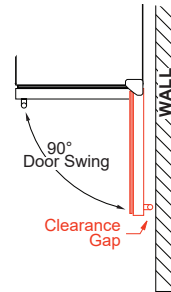
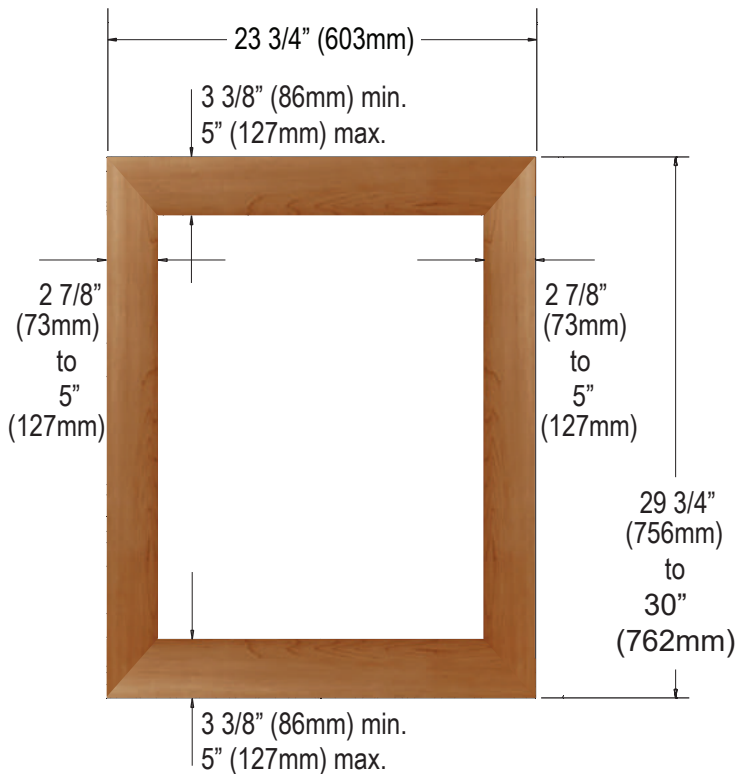
Watch the Video on YouTube
CLICK ON THE IMAGE



ROUGH IN DIMENSIONS

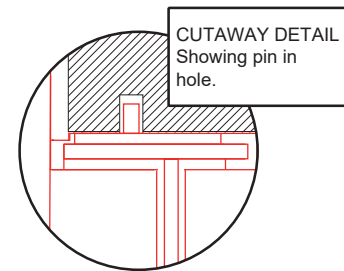


OVERLAY FRAME DIMENSIONS



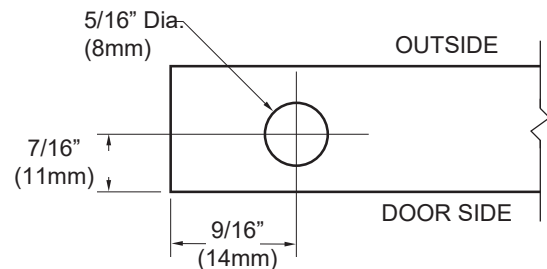
WHEN INSTALLING WITH THE HINGE SIDE NEXT TO A WALL - LEAVE ADEQUATE SPACE FOR CABINET HANDLES

DOOR MUST BE ABLE TO OPEN A MINIMUM OF 90°.



TO ACCOMMODATE THE HINGE PINS ON THE HINGE SIDE OF THE PANEL Drill a hole at least 5/16" in diameter and 1" deep into the top and bottom of the frame in the location shown.

9/16" in from the edge and 7/16" out from the unfinished side facing the door.



THE DOOR STOP IS SET AT 110° BUT CAN BE RESET TO 90° OR 140°.

IF THE DOOR CANNOT OPEN FULLY YOU CANNOT EXTEND THE RACKS.

