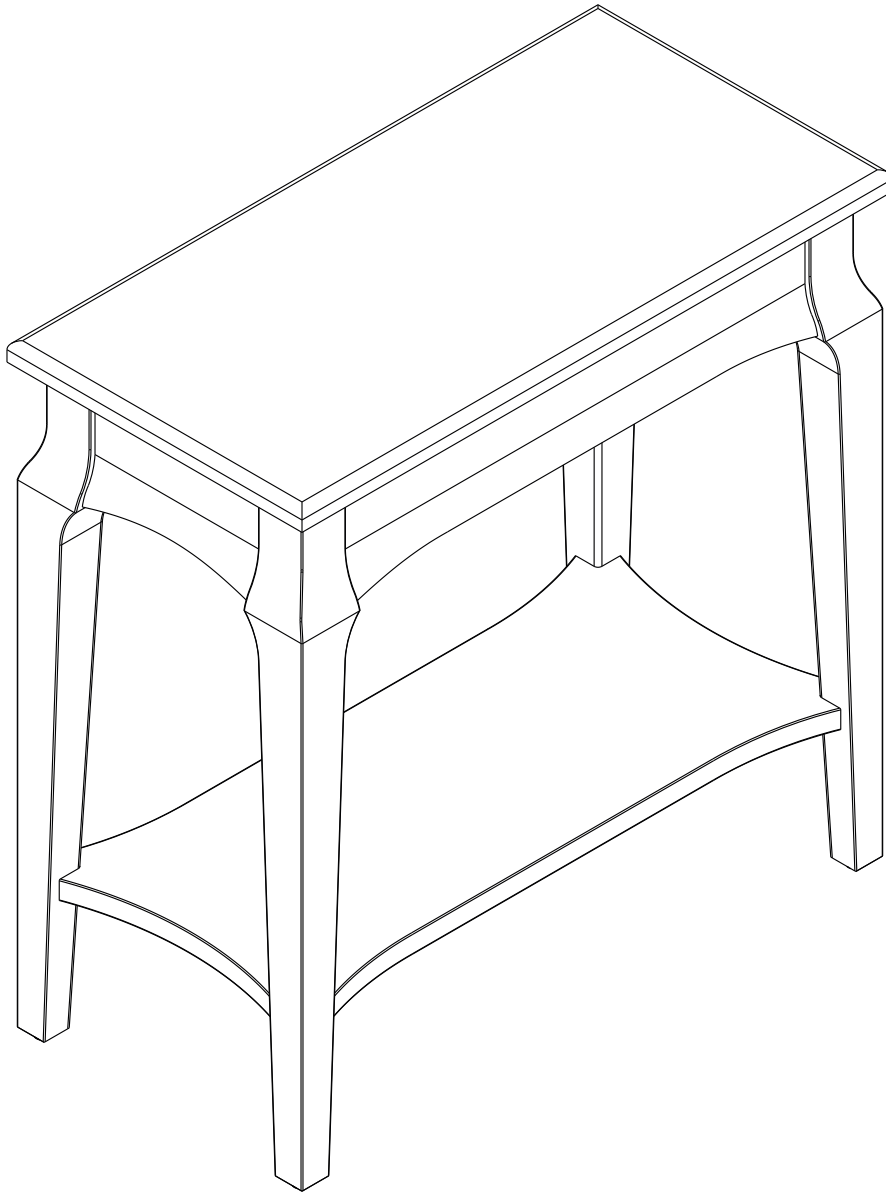
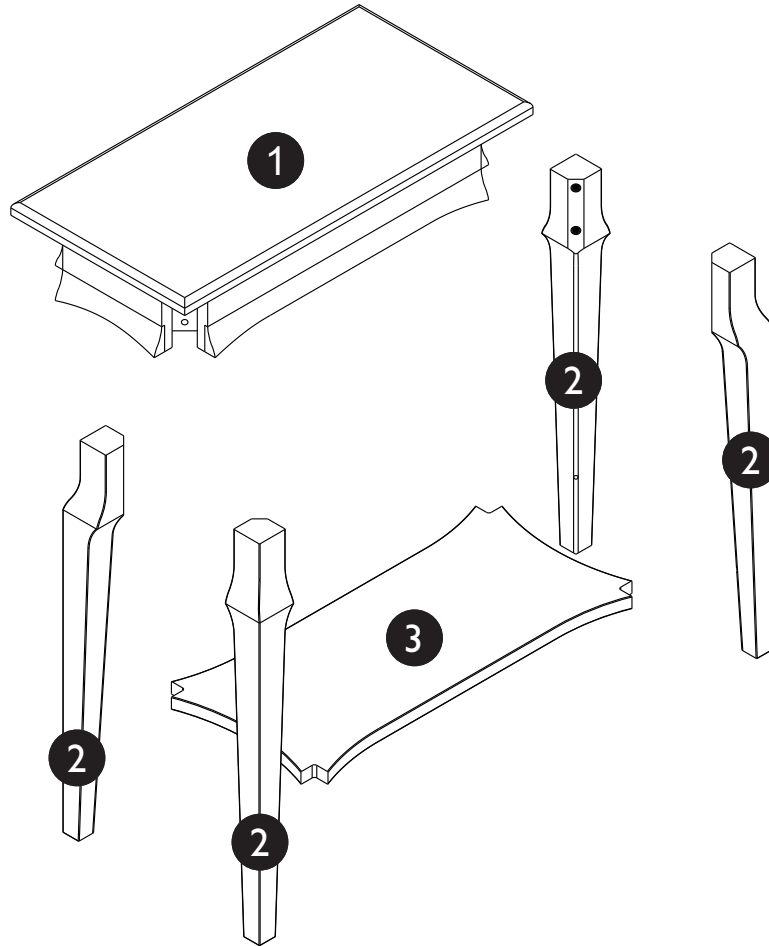


Your new Leick Home table will give you years of trouble-free performance. Thank you for choosing our product for your home. **Please read carefully and save these instructions, as you may need them at a later date.**




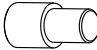
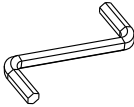
## PARTS INCLUDED

Please confirm all parts are available before starting assembly.

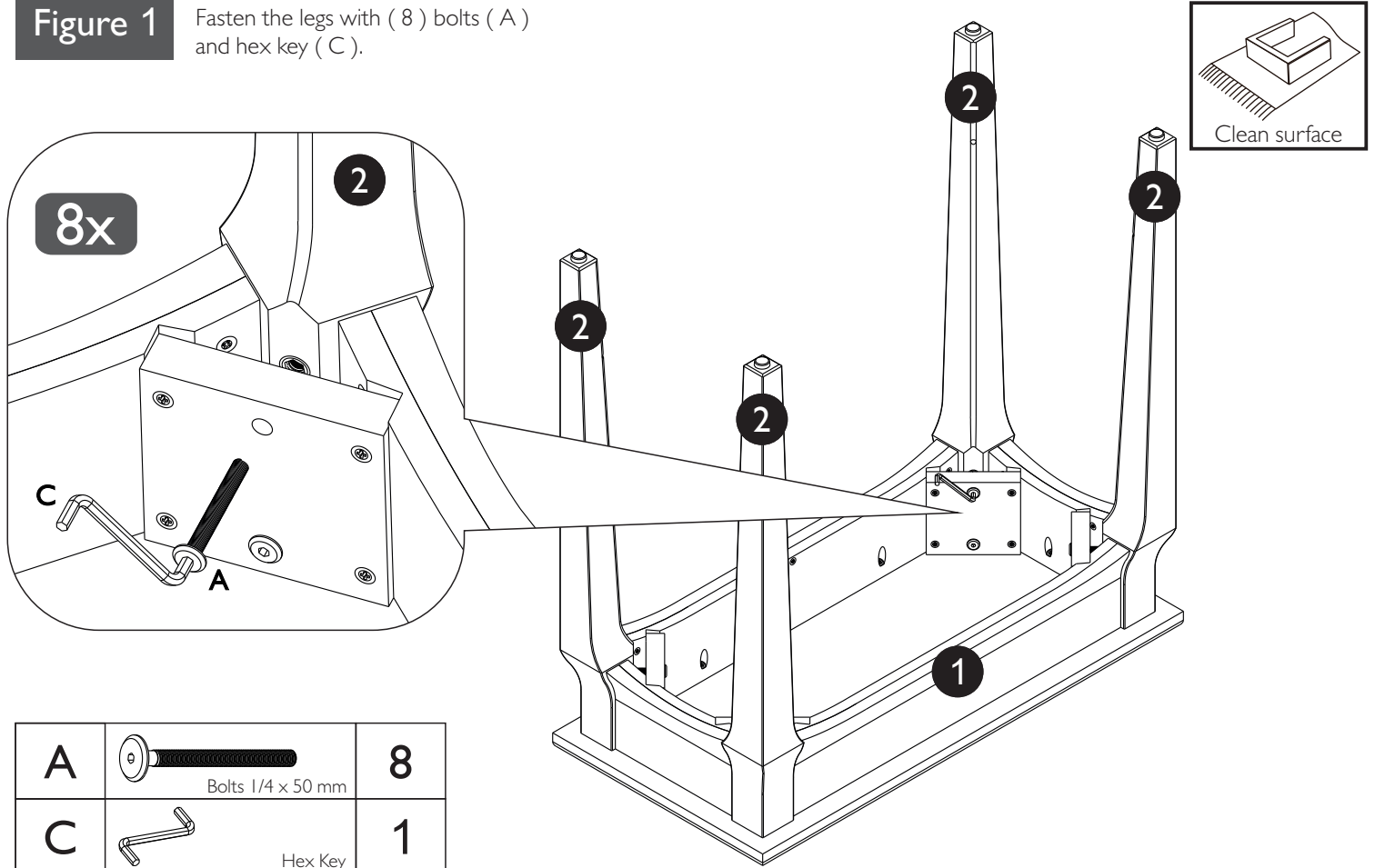


## HARDWARE INCLUDED

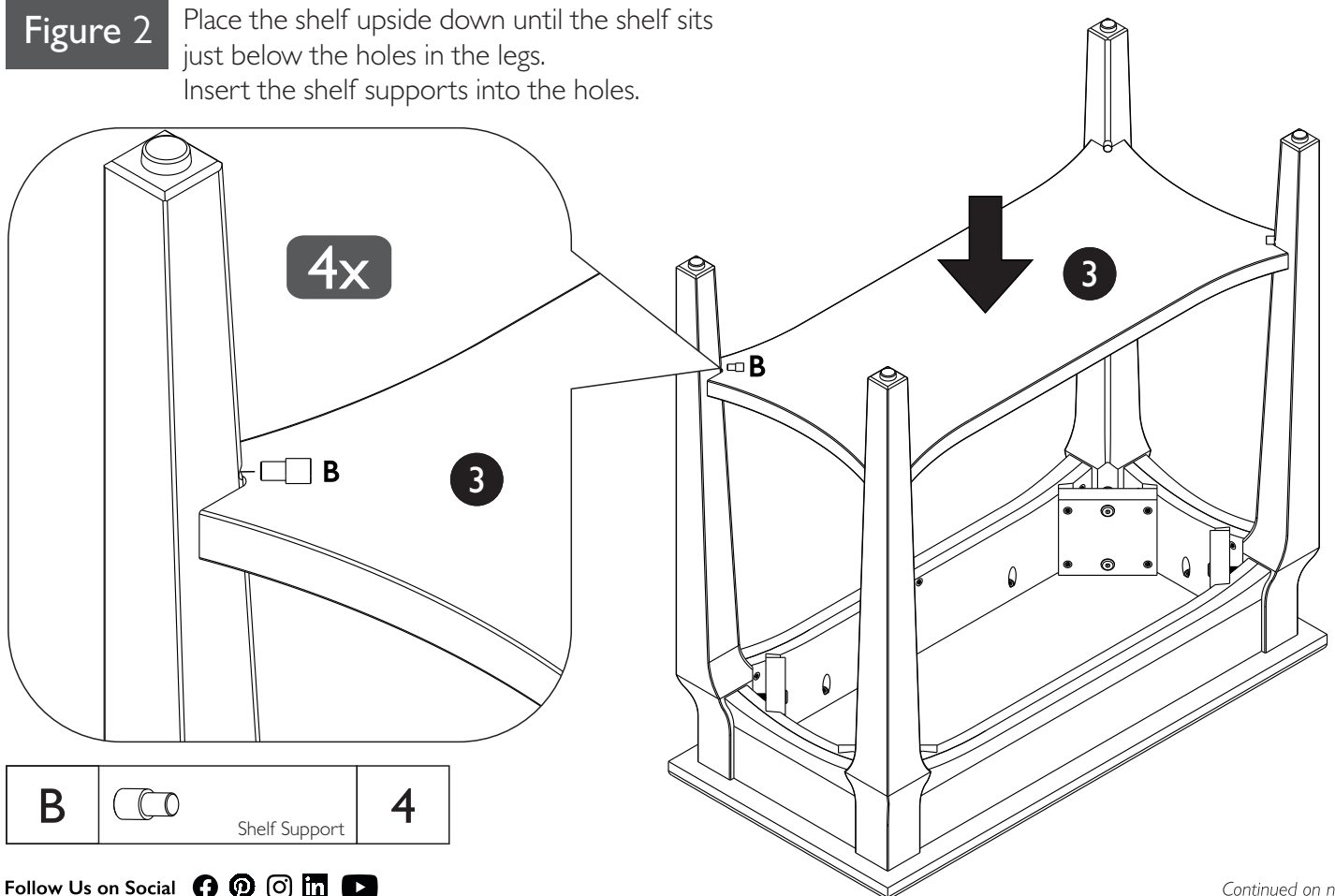
Please confirm all hardware are available before starting assembly.

Ref.		Qty.
<b>A</b>	 <p>Bolts 1/4 x 50 mm</p>	<b>8</b>
<b>B</b>	 <p>Shelf Support</p>	<b>4</b>
<b>C</b>	 <p>Hex Key</p>	<b>1</b>

**Figure 1** Fasten the legs with ( 8 ) bolts ( A ) and hex key ( C ).

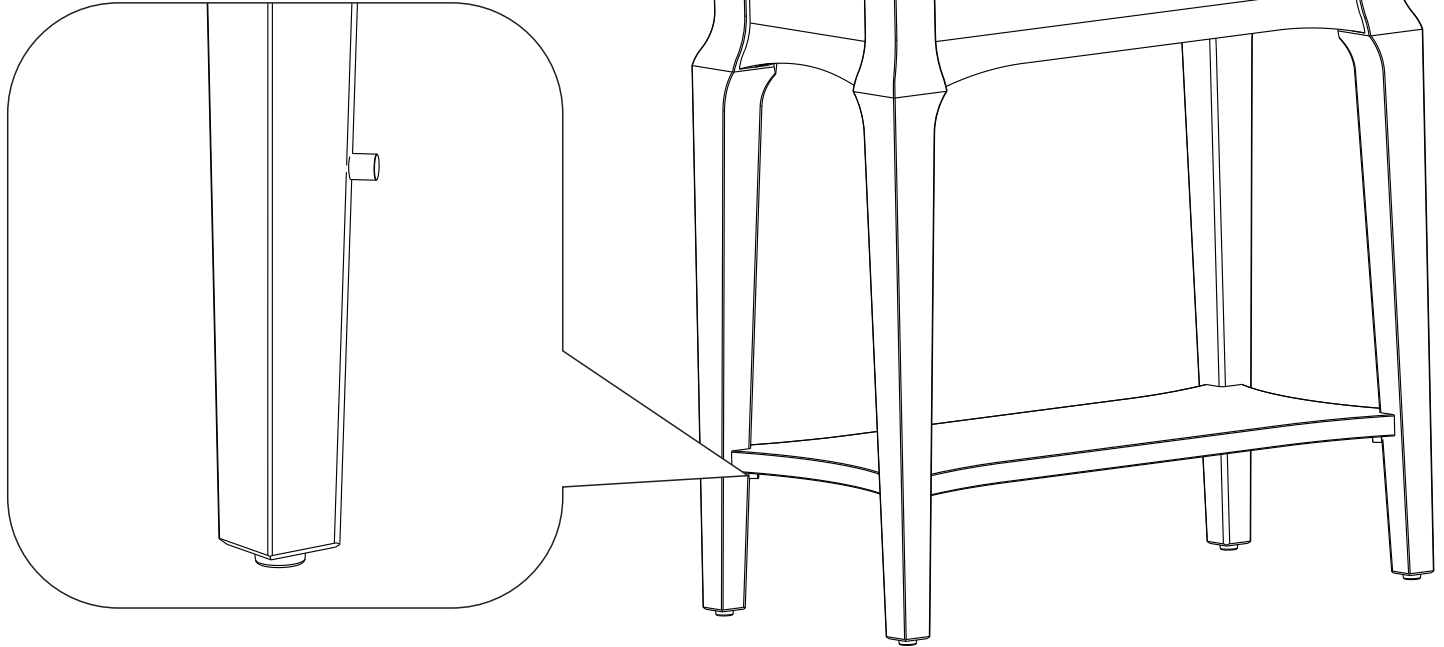


**Figure 2** Place the shelf upside down until the shelf sits just below the holes in the legs. Insert the shelf supports into the holes.

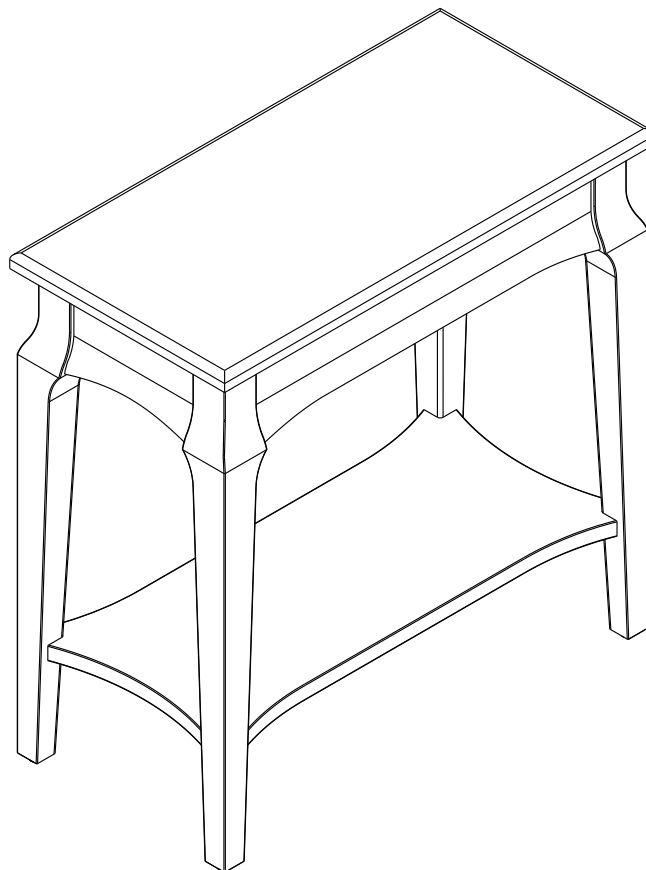


**Figure 3**

Place the shelf on shelf supports.



**Figure 4**



Follow Us on Social     

Design House Inc. reserves the right to make changes in materials, specifications, & models at any time. Design House Inc. also reserves the right to discontinue product without notice or obligation.

**Final Assembly**