

S-CTIP4MPW

4MP Full Color Fixed Eyeball Network Camera



Key Features

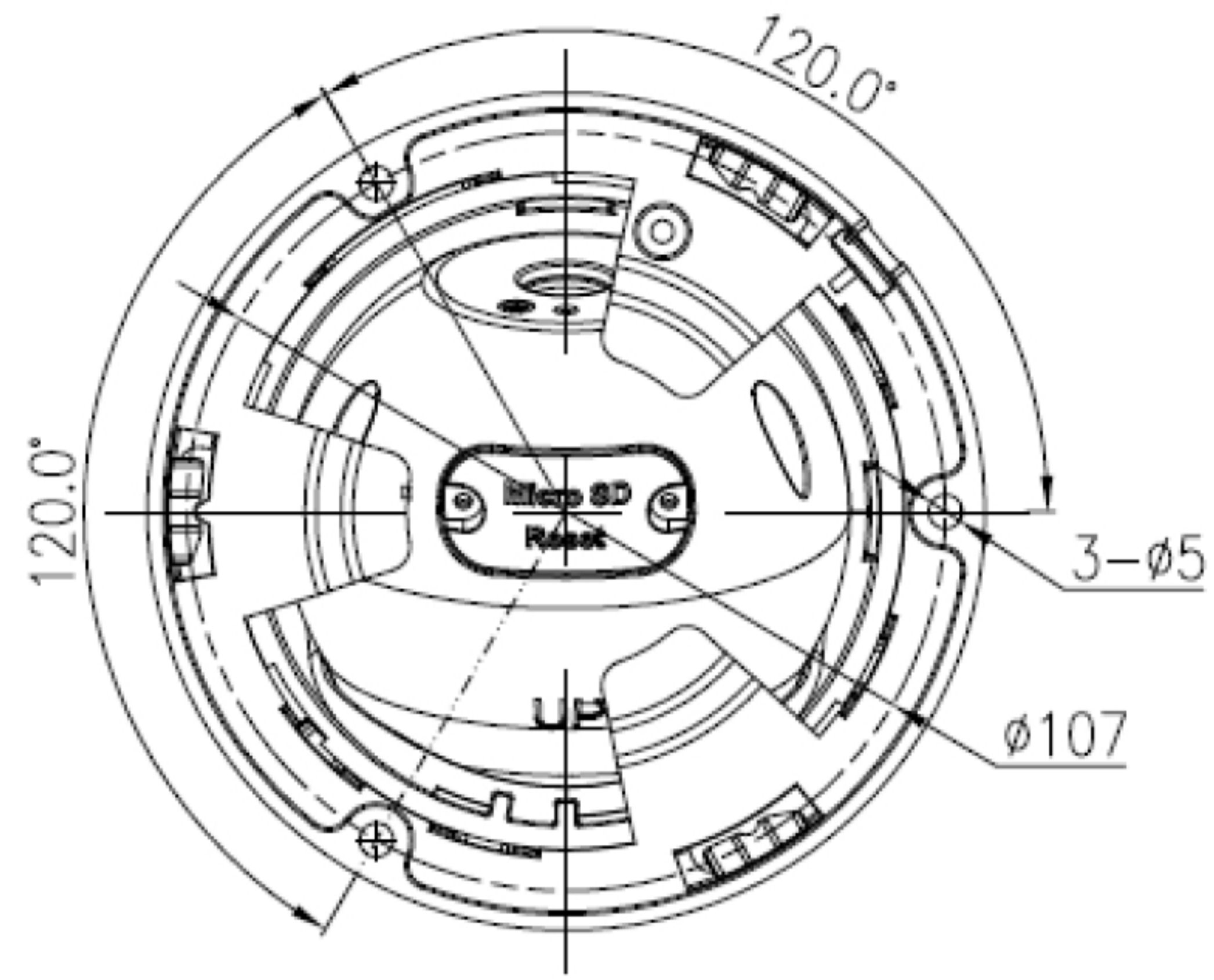
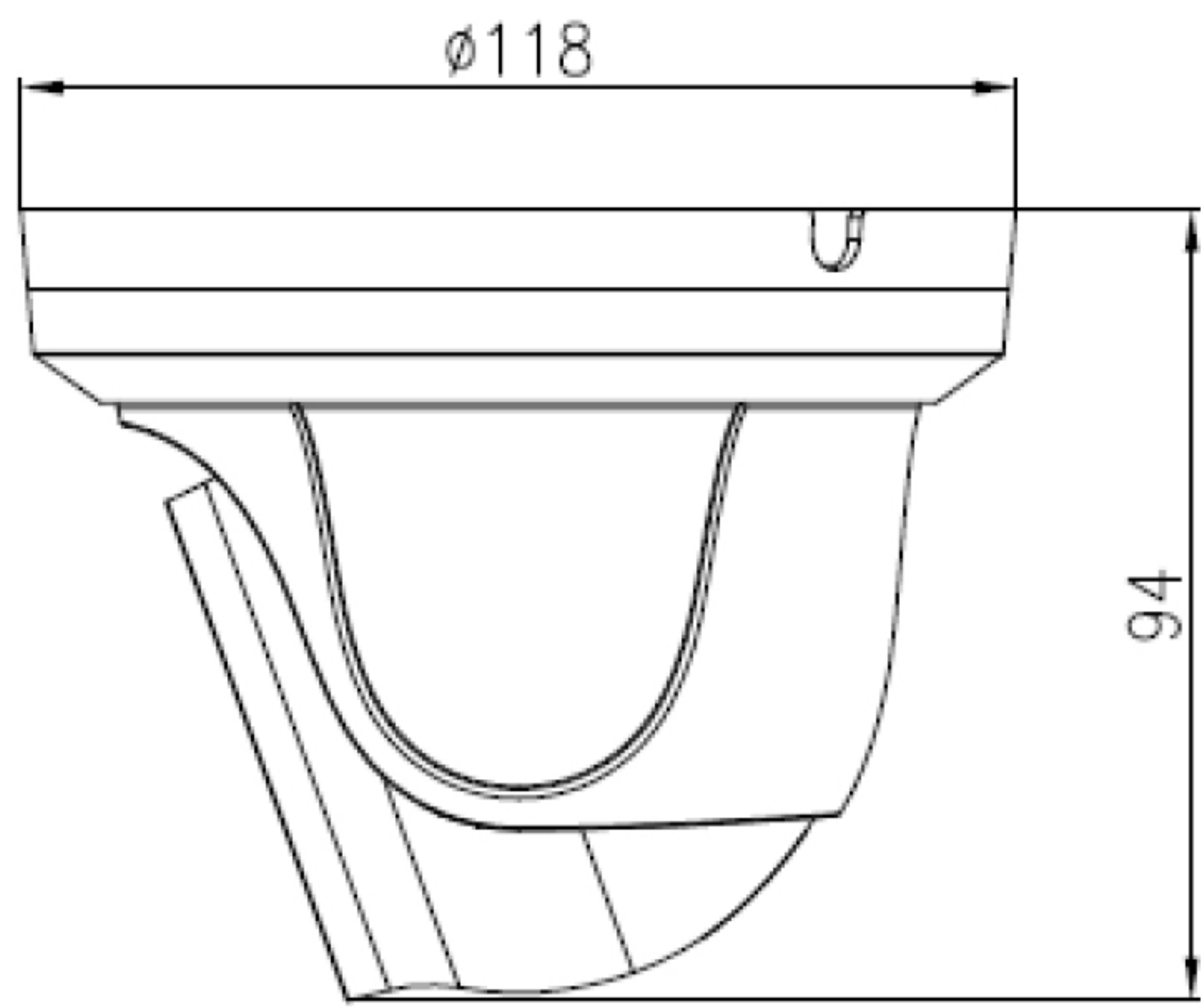
- 1/1.8" progressive scan CMOS
- Max. 4MP(2560×1440) @25/30fps resolution
- WDR, 3D DNR, ROI, HLC, BLC, Defog
- Support face, human, vehicle detection
- Intelligence analysis: Perimeter, Single virtual fence, Double virtual fences, Loiter, Converse, People counting
- Built-in warm lights, max illumination distance up to 20m
- Built-in microphone
- Built-in micro SD slot, IP66, PoE

Specification

Camera	
Image Sensor	1/1.8" Progressive Scan CMOS
Electronic Shutter	Auto/Manual, 1/5 ~ 1/20,000s
Min. illumination	Color: 0.0005 Lux @ (F1.0, AGC ON), 0 Lux with white light on
S/N Ratio	55dB
Day/Night	Auto(ICR)
Wide Dynamic Range	True WDR
Illumination Range	Up to 20 m (65.6 ft)
Illumination On/Off Control	Auto/Manual
Pan/Tilt/Rotation Range	Pan: 0° ~ 360°, Tilt: 0° ~ 90°, Rotation: 0° ~ 360°
Lens	
Lens Type	Fixed focus
Iris	Fixed Iris
Focal Length	2.8 mm
F Number	F1.0
Angle of View	H: 109°, V: 59°
Video	
Max. Resolution	4MP (2560×1440)
Streaming Capability	3 Streams
Stream/Frame Rate	Stream1: 2560×1440, 2304×1296, 1920×1080, 1280×720 @ 25/30fps Stream2: D1, VGA, CIF @ 25/30fps Stream3: VGA, CIF, QVGA @ 25/30fps
Bit Rate Control	CBR/VBR
Bit Rate	Stream1: 200kbps~12Mbps Stream2: 100kbps~6Mbps Stream3: 100kbps~3Mbps
Image Enhancement	HLC / BLC / Defog / WDR
White Balance	Auto
Gain Control	Auto/Manual
Noise Reduction	2D/3D DNR
Aisle Mode	Support
Smart IR	Support
Mirror	Support
Region of Interest	Off/On (8 Zone, Rectangle)
Motion Detection	Support
Privacy Masking	Support

Intelligence Function	
Intelligence Function	Support face, human, vehicle detection
IVS	Perimeter, Single virtual fence, Double virtual fences, Loiter, Converse (the five functions support the accurate detection of vehicle and human), People counting
Audio	
Compression	G.711, RAW_PCM
Bit Rate	8kbps, 16kps, 64kbps
Network	
Protocols	IPv4/IPv6, 802.1x, HTTP, HTTPS, TCP/IP, UDP/IP, RTSP, DHCP, NTP, RTCP/RTP, PPPoE, SMTP, DNS, UPnP, FTP, ARP, SNMP, TLS/SSL
Interoperability	ONVIF, SDK, CGI
Streaming Method	Unicast
Max. User Access	10 Users
Web Viewer	<IE11, Chrome, Firefox, Microsoft Edge
Management Software	SunView
Interface	
Network Interface	1 Ethernet (10/100 Base-T) RJ-45 Connector
Built-in Microphone	Yes
Reset Button	Support
Built-in Micro SD slot	Yes, up to 256G
Electrical	
Power Supply	DC12V/POE (IEEE 802.3af)
Power Consumption	Max 7.5 W
Operating Temperature	-40°C ~ 55°C (-40°F ~ 131°F)
Operating Humidity	Less than 90% RH
Ingress Protection	IP66
Certifications	CE/FCC
Casing	Metal + Plastic
Dimensions	φ 118×94 mm (4.65×3.7 inch)
Net Weight	0.55 kg (1.21 lb)

Dimensions (mm)



Accessories

Optional:



SN-CBK646M
Junction Box



SN-CBK203
Pendant Cap



SN-CBK402
Pendant Mount



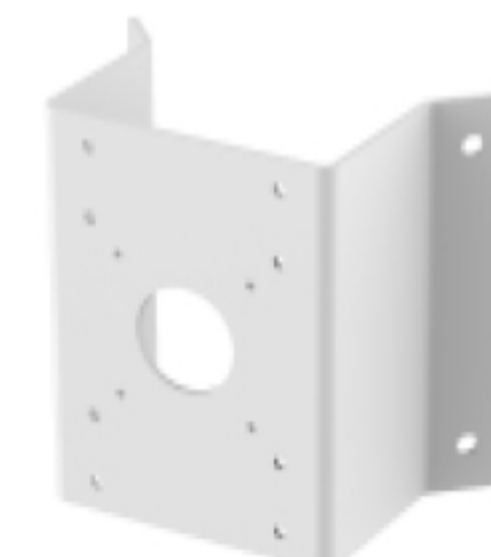
SN-CBK501
Wall Mount



SN-CBK502
Wall Mount



SN-CBK101
Pole Mount



SN-CBK102
Corner Mount