

PERRIN & ROWE® HOLBORN PRESSURE BALANCE TRIM WITH DIVERTER

Perrin & Rowe® Bath Holborn

U.5336LS (Metal Lever)

U.5336X (Cross Handle)

FEATURES

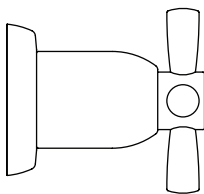
- Trim for concealed pressure balance rough valve with diverter
- Brass construction
- Bath to shower diverter
- Must order RCT-2 rough valve to complete

COLORS/FINISHES

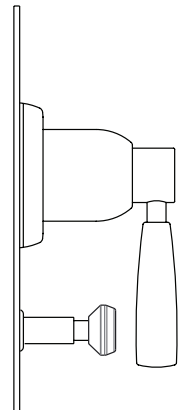
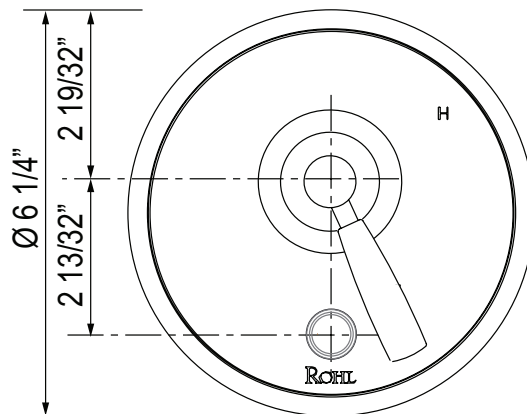
- Polished Chrome
- Polished Nickel
- Satin Nickel

WARRANTY

- Limited Lifetime



X



3/32" ||