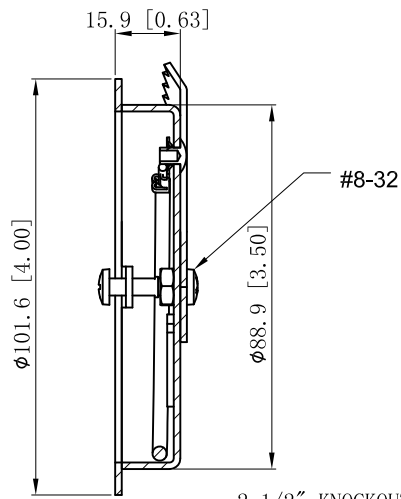
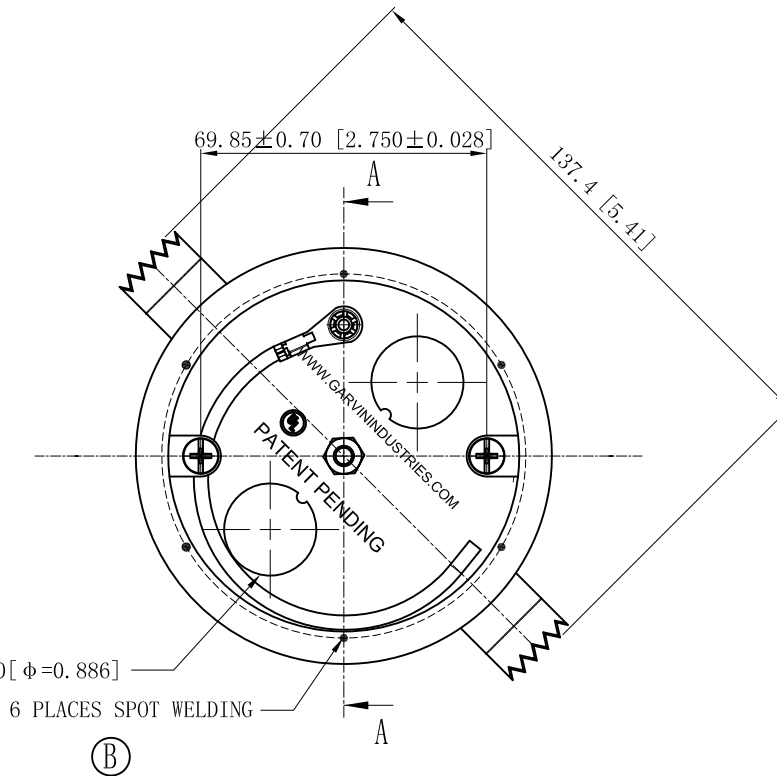


| | |
|--|------------------|
| SIDES | BOTTOM |
| | 2 1/2" KNOCKOUTS |
| 2 PCS #8-32×1/2 Screws Installed | |
| 1 PCS #8-32×1 1/4 Screws Installed | |
| 1 PCS #8-32 nuts | |
| Rivet a #12 ga stranded green grounding pigtail of the box | |
| Material:Steel-0.0625"-G60 Galvanized | |

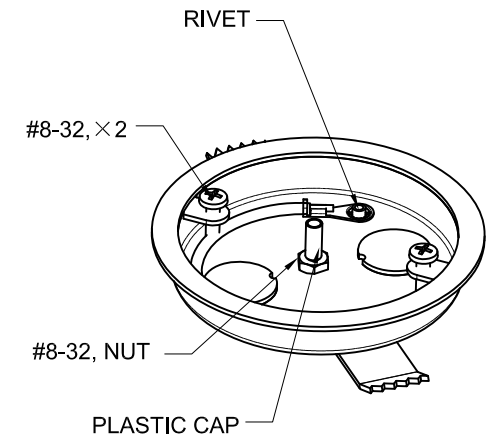
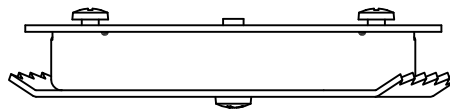


CUTAWAY VIEW A-A



2 1/2" KNOCKOUTS $\phi=22.50$ [$\phi=0.886$]

(B)



This data sheet is for reference only .GARVIN INDUSTRIES reserves the right to make changes to the design without prior notice.

| |
|-----------------------|
| DESCRIPTION |
| |
| TRADE REFERENCE TERMS |
| |

| |
|------------------|
| STANDARD PACKING |
| 50 PCS |

| | | |
|---|---------------------|----------|
| GARVIN INDUSTRIES | | |
| TITLE "3-1/2" ROUND CEILING PLATES&FAN BOX | | |
| SIZE A4 | DWG NO. 46111-OW | REV D |
| DATA SHEET | | |
| www.garvinindustries.com | | |