






Thank you for purchasing this quality product. Be sure to unpack carefully looking for small parts which may have come loose during shipment.

Read all instruction and study the drawing carefully before starting the assembly process.

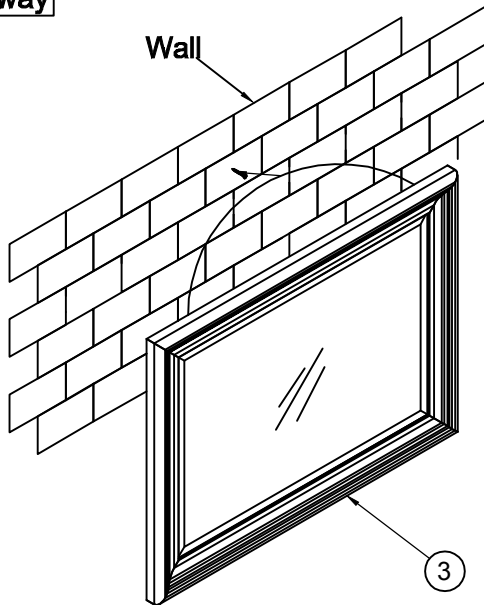
HARDWARE PACK

NO.	DRAWING	DESCRIPTION	SIZE	QTY
A		Anti tip hardware pack		1set
B		Allen key	4mm	1pc
C		Bolt	$\frac{1}{4} \times 1 - \frac{3}{4}$ "	8pcs
D		Lock washer	$\frac{1}{4} \times 12 \times 3$	8pcs
E		Flat washer	$\frac{1}{4} \times 19 \times 2$	8pcs

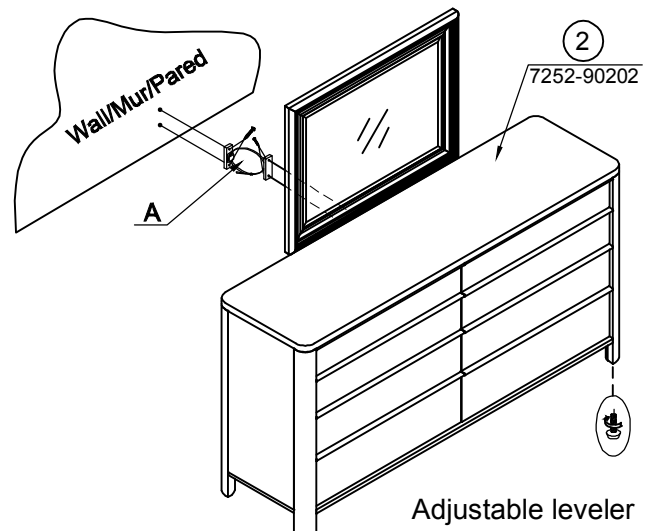
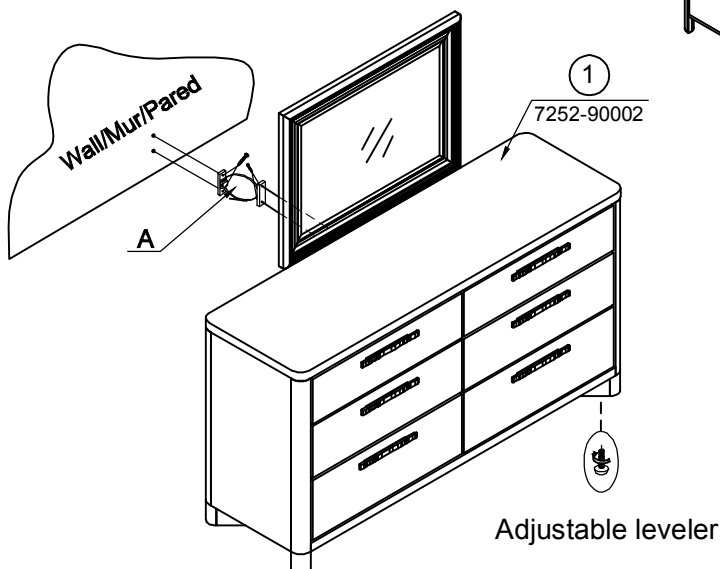
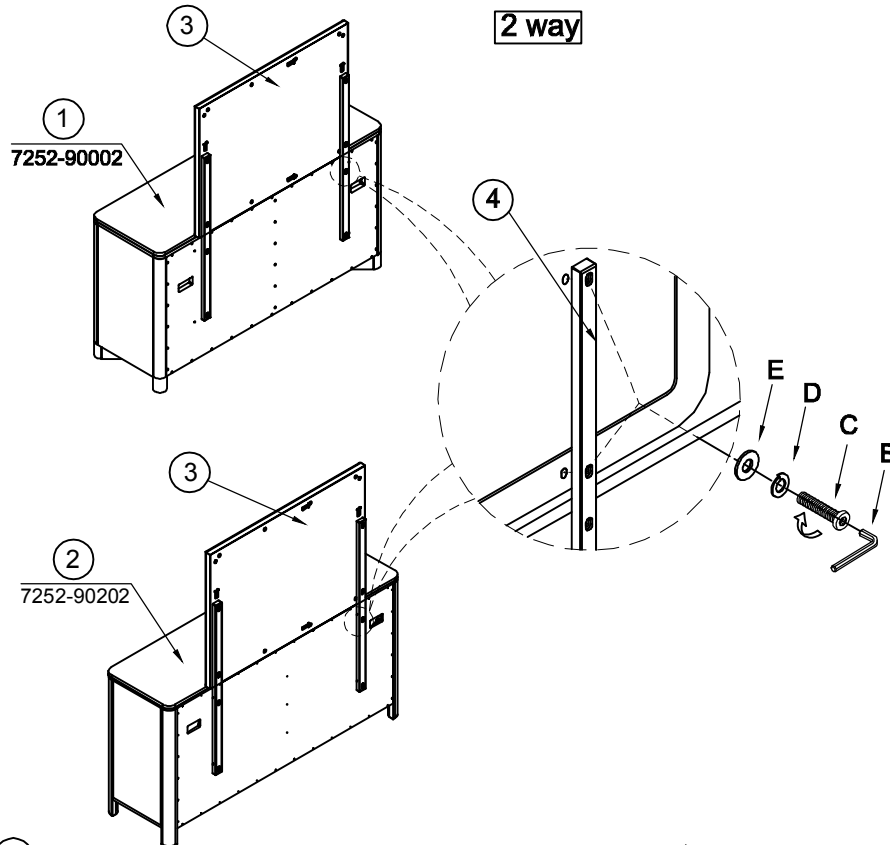
PART LIST

NO.	DRAWING	DESCRIPTION	QTY
①		Six-Drawer Dresser	1pc
②		Eight-Drawer Dresser	1pc
③		Mirror	1pc
④		Mirror support	2pcs

1 way



2 way



Adjust levelers if needed, to level case on uneven floor