

Talis S
Kitchen Faucet, 2-Spray Pull-Out, 1.75 GPM
 Finishes : **steel optic** Part no. : **06462860**



Description

Features

- Swivel range 150°
- Aerated and needle spray
- Locking spray diverter (reverts to default spray mode upon valve closing)
- Single-hole installation
- Flow: 1.75 GPM (6.6 L/Min)
- Ceramic cartridge
- 3/8" connections
- Integrated double backflow prevention

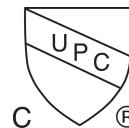
Item details

List Price \$ 738.00

Technology



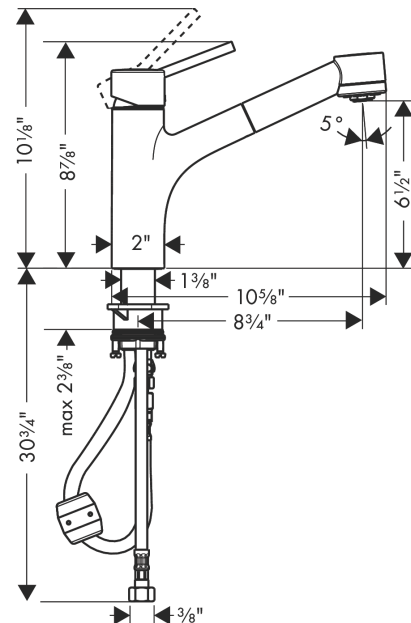
Compliance



Product image



Scale drawing

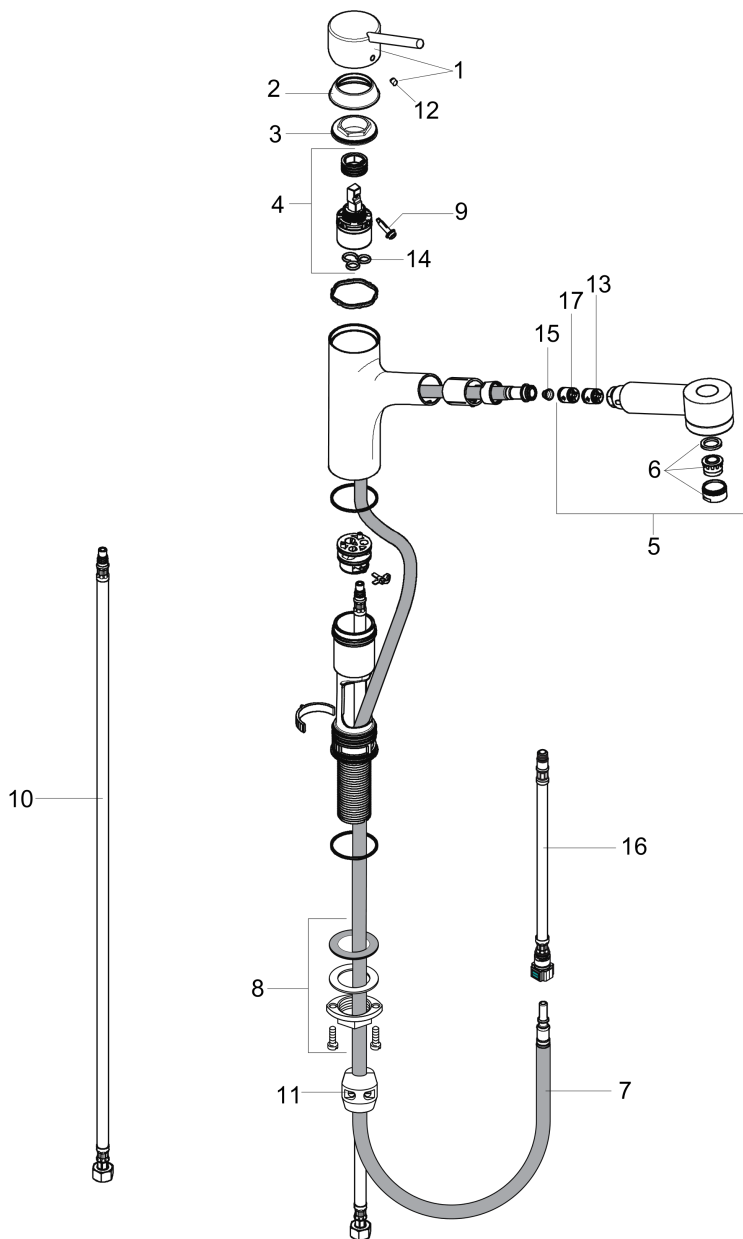


Talis S
Kitchen Faucet, 2-Spray Pull-Out, 1.75 GPM
 Finishes : **steel optic** Part no. : **06462860**



Exploded drawing

Year of production: >10/18



Talis S
Kitchen Faucet, 2-Spray Pull-Out, 1.75 GPM
 Finishes : **steel optic** Part no. : **06462860**



Spare parts list

Year of production: >10/18

Pos.	Description	Part no.	Price	PU
1	handle	32892800	-	1
2	flange	97995800	-	1
3	nut	97996000	-	1
4	cartridge, assy	92730000	-	1
5	handspray	97999801	-	1
6	aerator M24x1 (7 l/min)	13912800	-	1
7	hose 1,50 m	88624000	-	1
8	fixing set (Ø 34)	95049000	-	1
9	locking screw for handle	95140000	-	1
10	connection hose 35½" M8x0,75 3/8"	96316001	-	1
11	weight	92500000	-	1
12	screw cover	88655000	-	1
13	set of non return valves DW 15	94074000	-	1
14	seal	95008000	-	1
15	filter	97735000	-	1
16	connection hose 600 mm M10x1	95561000	-	1
17	non return valve	93218000	-	1