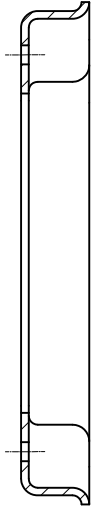
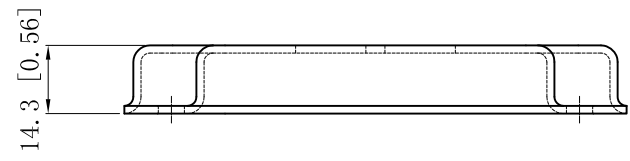
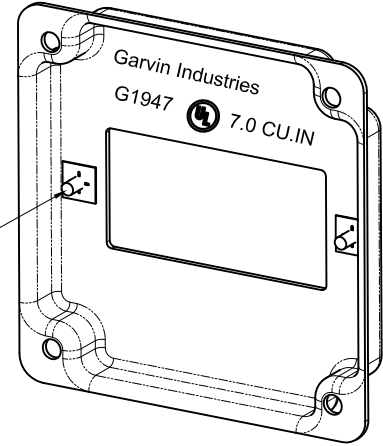
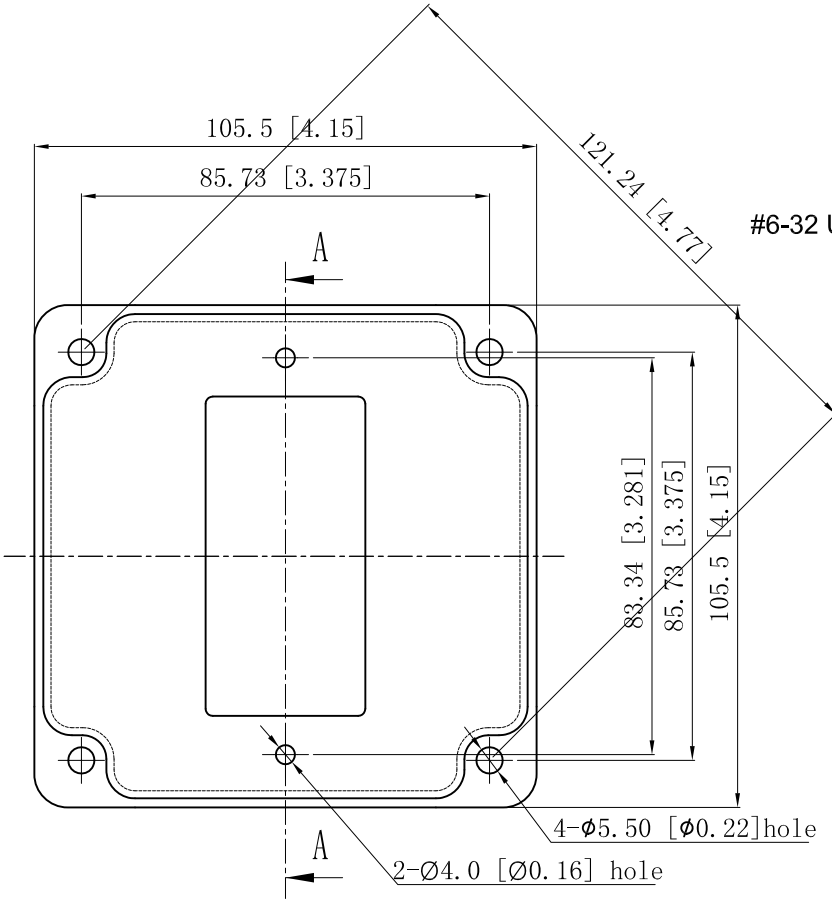


SIDES	BOTTOM
2 Pcs 6-32x5/16 screws Pack In Poly-bag Separately	
2 Pcs 6-32 Nut Pack In Poly-bag Separately	
Material:Steel-0.0625"-G60 Galvanized	



VIEW A



This data sheet is for reference only .GARVIN INDUSTRIES reserves the right to make changes to the design without prior notice.

DESCRIPTION
TRADE REFERENCE TERMS

STANDARD PACKING
50 PCS

<b>GARVIN INDUSTRIES</b>		
TITLE 4" SQUARE INDUSTRIAL "GARVIN" COVERS		
SIZE A4	DWG NO. G1947	REV E
DATA SHEET		