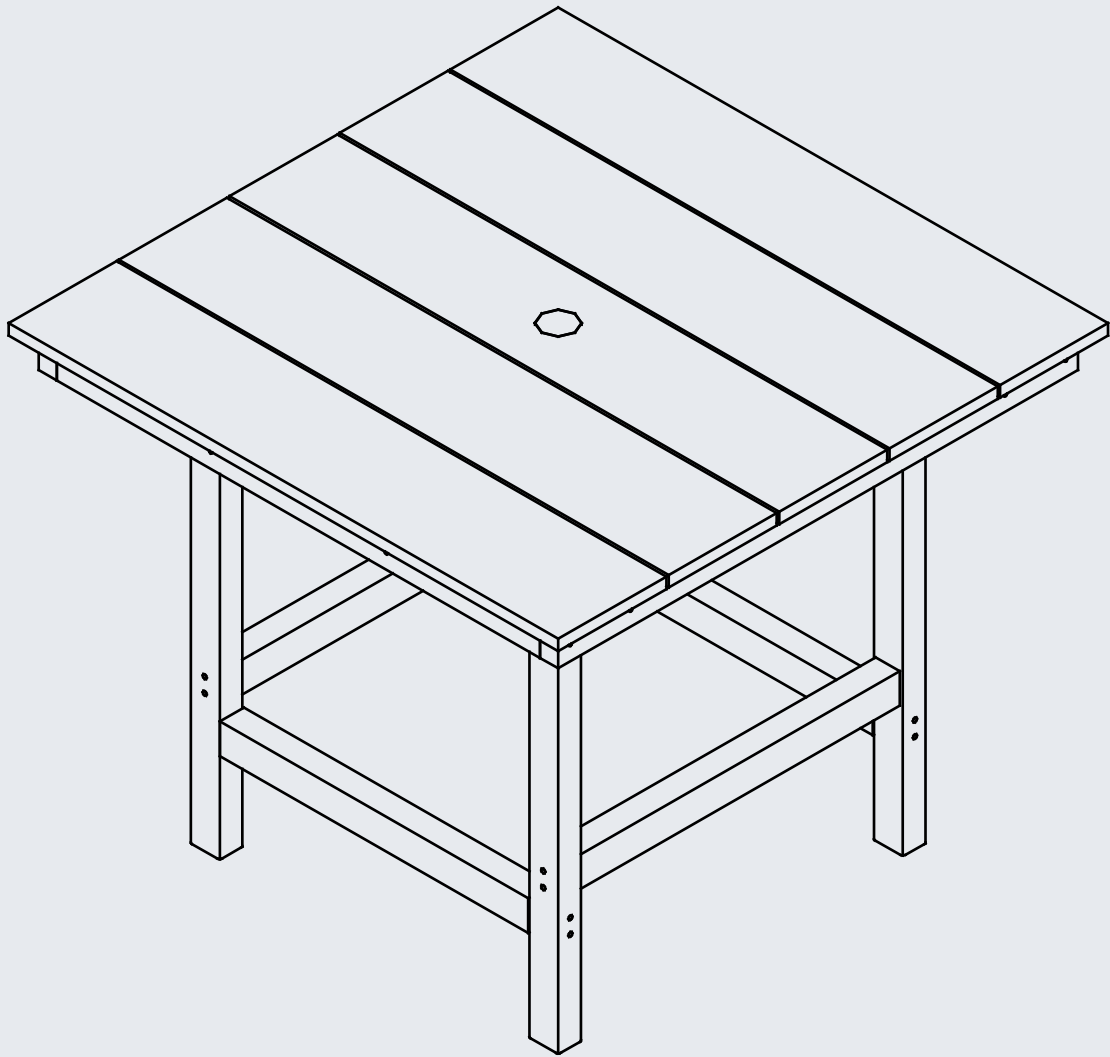


INSTRUCTION MANUAL



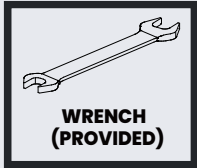
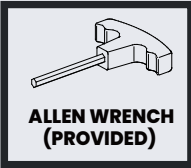
36" Square Patio Dining Table

! CARE & MAINTENANCE

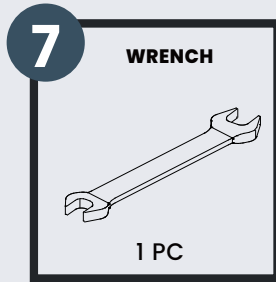
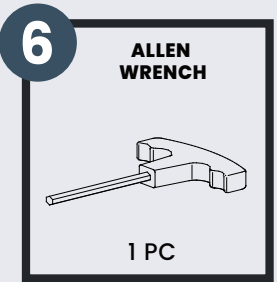
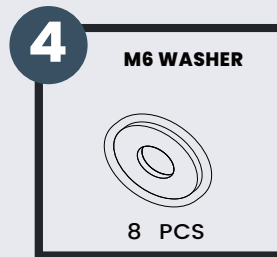
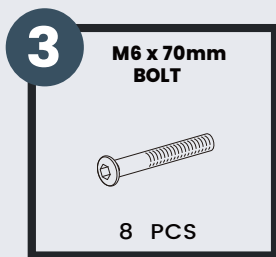
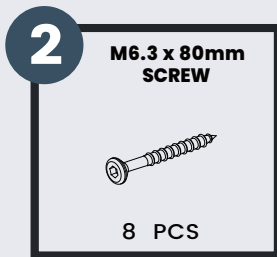
Please keep this instruction for your future reference.

- Be careful when assembly, avoid hurting the top surface.
- Clean the table with lukewarm water, mild detergent & soft cloth.
- Firmly secure all bolts before use, do not use any part of this item as a step ladder.
- Reconfirm that all bolts, screws, and nuts are secure every 90 days.
- Do not use or store this item in the proximity of open flame or flammable/combustible chemicals.
- Be aware that some parts are heavy and have sharp edges.
- Do not overtighten screws. (Insert all screws before tighten screws.)
- Please do not exceed the weight limitations of this item.

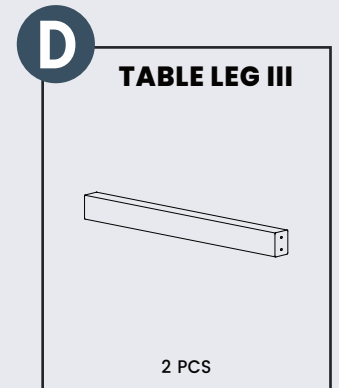
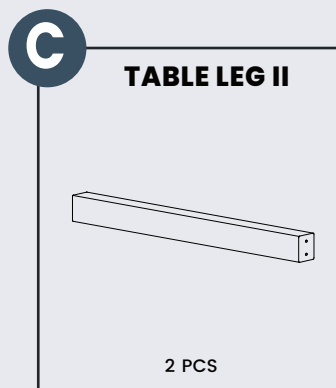
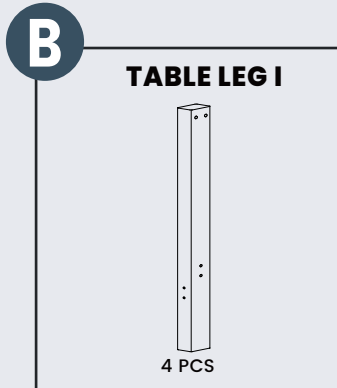
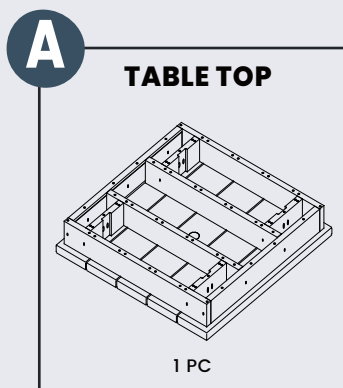
TOOLS REQUIRED



HARDWARE

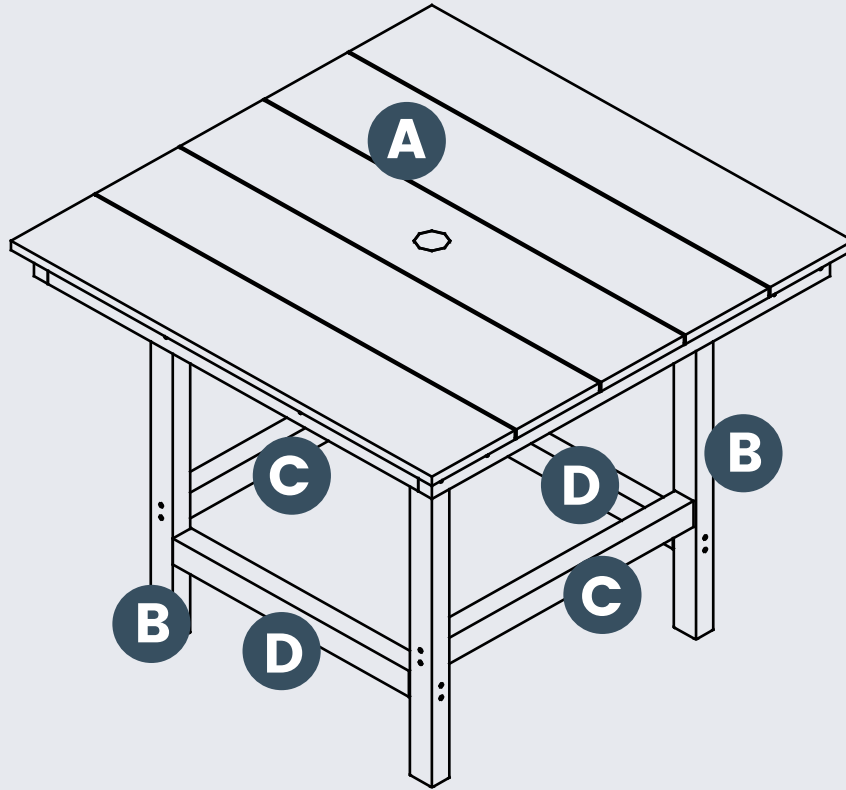


PARTS



PRODUCT ASSEMBLY - OVERALL VIEW

Look at following overall view of this table and learn the exact position of each parts to be assembled.

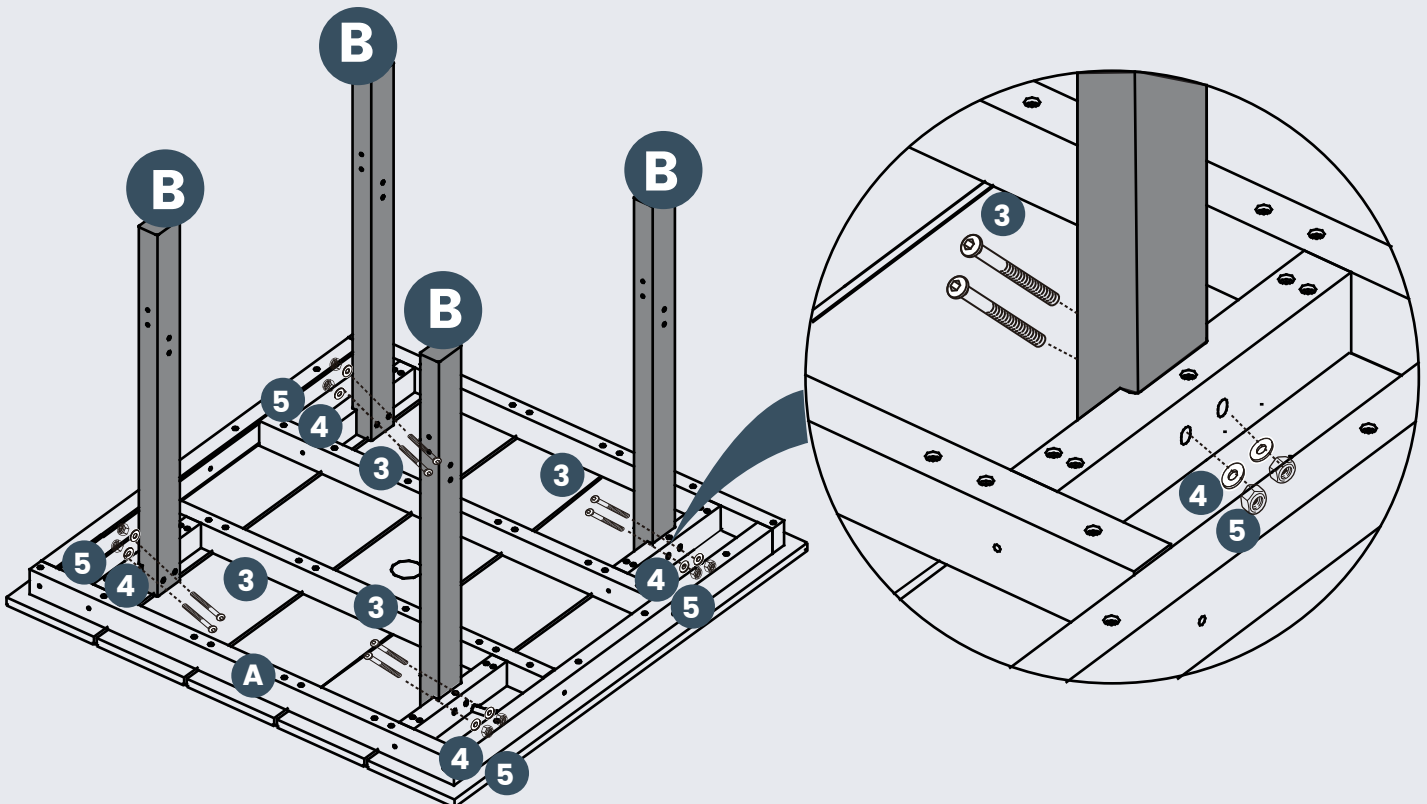


PRODUCT ASSEMBLY

1

Place **Part A Table Top** upside down on soft surface like carpet to avoid damage.

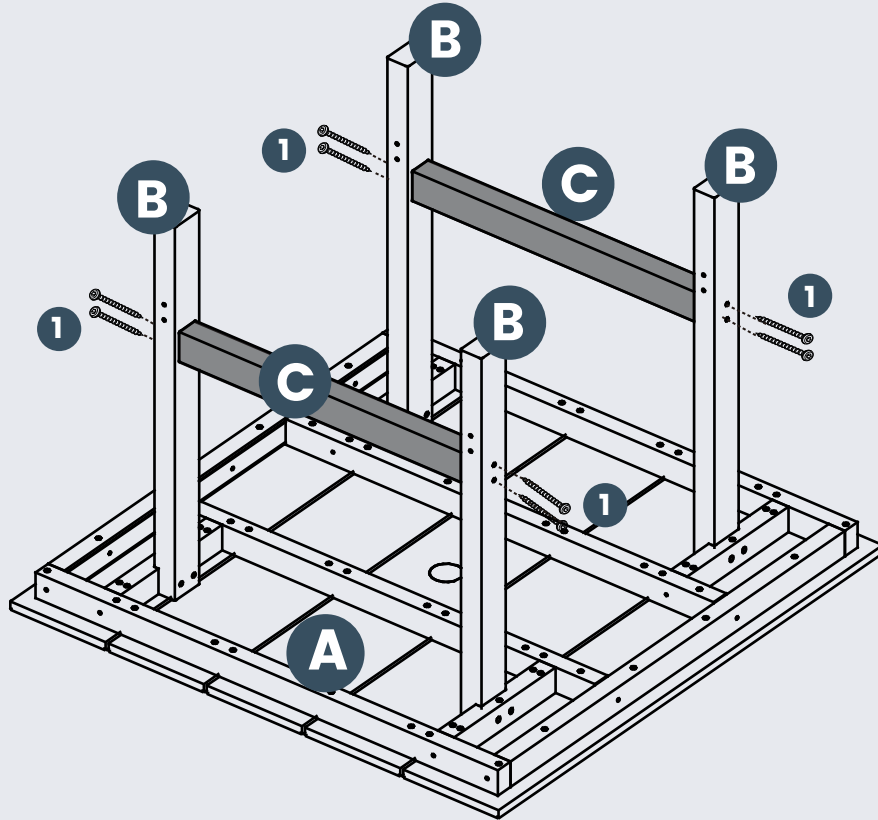
Loosely attach **Part B Table Leg** to **Part A Table Top** with 8 pcs of **Hardware #3 Bolt**.



PRODUCT ASSEMBLY

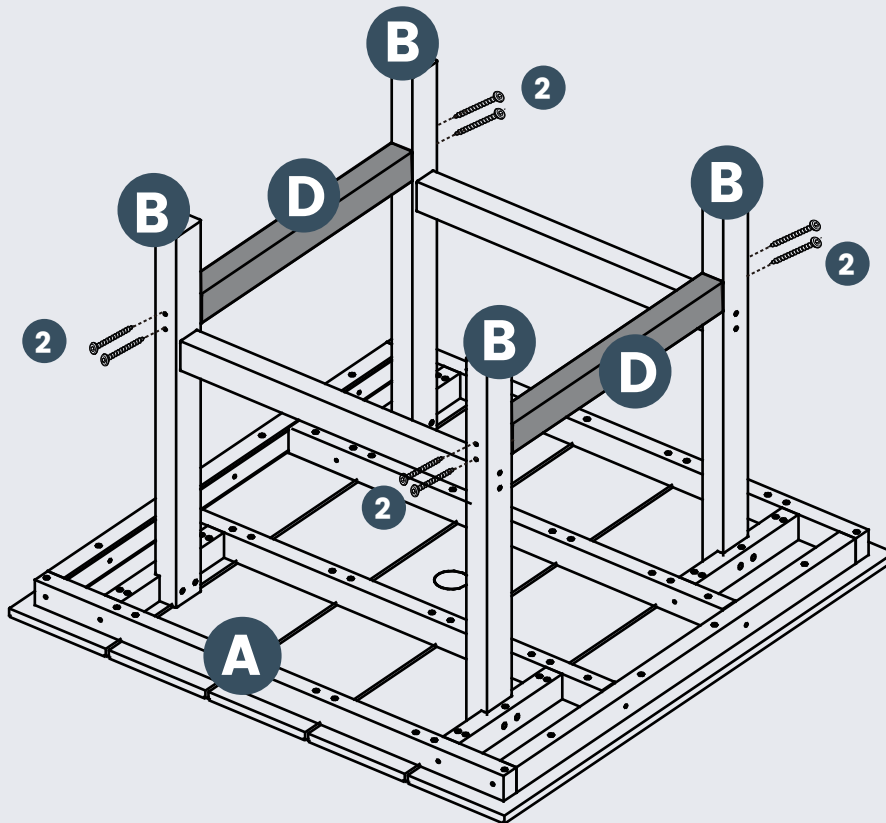
2

Attach **Part C Side Rail** between **Part B Table Leg** with 8 pcs of **Hardware #1 Screw**.



3

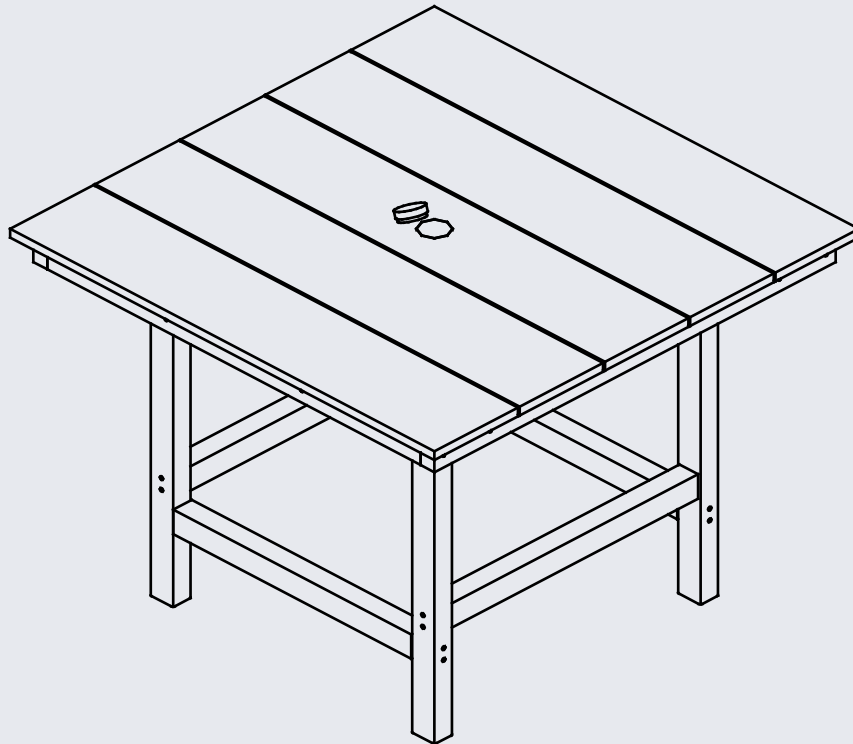
Attach **Part C Side Rail** between **Part B Table Leg** with 8 pcs of **Hardware #2 Screw**.



PRODUCT ASSEMBLY

4

Tighten all the screws when all the parts are loosely attached.
Turn over the table and enjoy it now.



CLEANING TIPS

REGULAR CLEAN: Use a mixture of warm water and mild soap. Gently scrub the surface with a soft bristle brush to remove any dirt or stains.

QUICK CLEAN: You can simply wipe down the furniture with a damp cloth.

Regular cleaning not only preserves the aesthetic appeal of your furniture, but also helps extend its lifespan.