

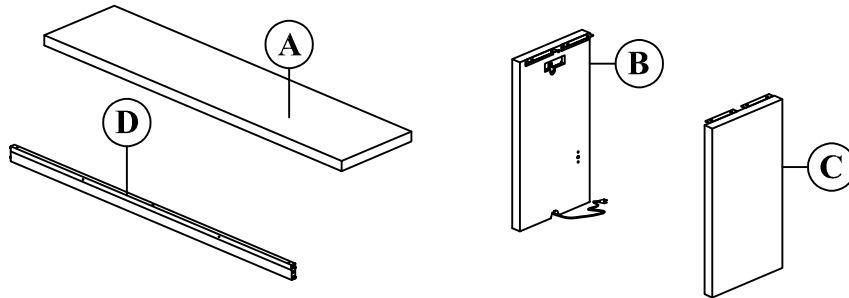
OXFORD GATHERING TABLE ASSEMBLY INSTRUCTIONS



PARTS PACKING CONFIGURATIONS

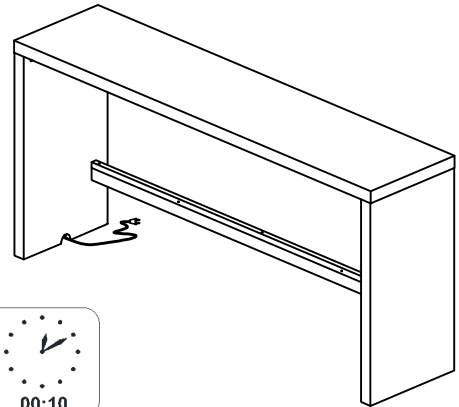
BOX #1:

- A. TOP
- B. LEFT LEG
- C. RIGHT LEG
- D. STRETCHER

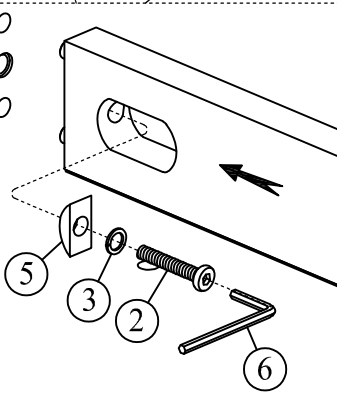
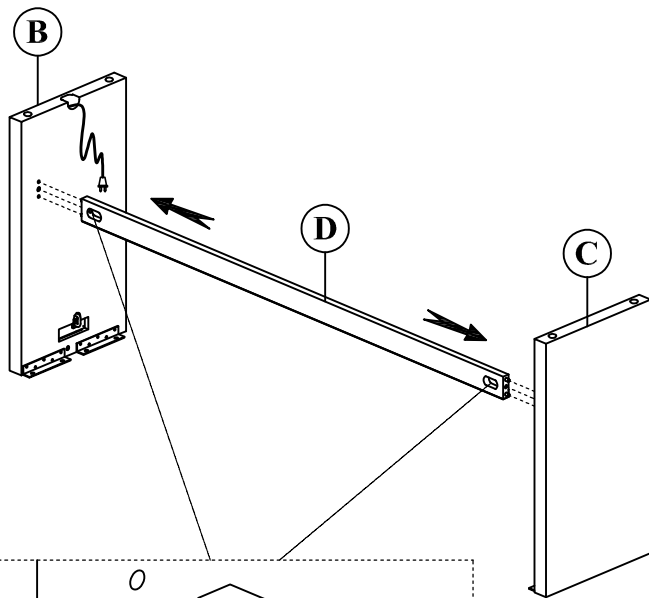


HARDWARE PACKED IN BOX

No	Description	Photo	Quantity
1	ALLEN BOLT (M8X20)		8 PCS
2	ALLEN BOLT (M8X50)		4 PCS
3	SPRING WASHER (M9)		12 PCS
4	FLAT WASHER (M9)		10 PCS
5	HALF MOON WASHER		2 PCS
6	ALLEN KEY		1 PC



STEP 1:



STEP 2:

