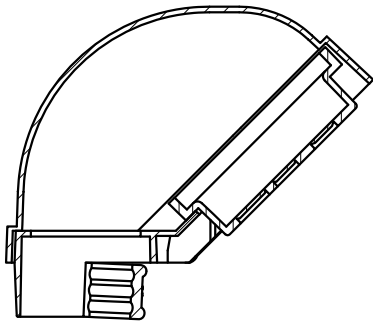
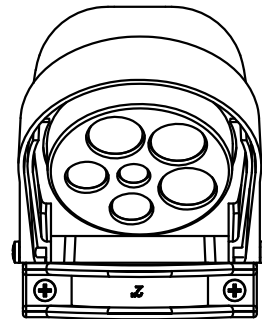
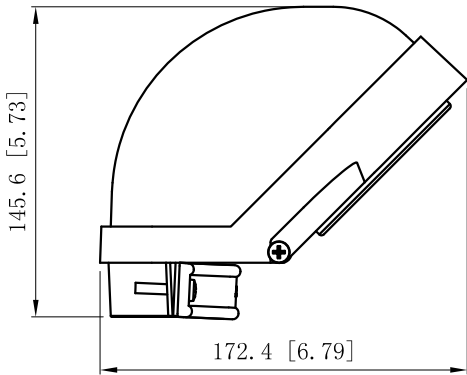
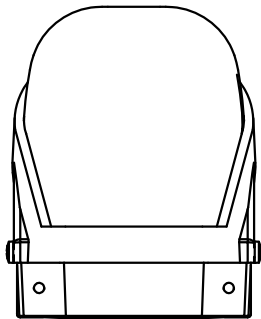
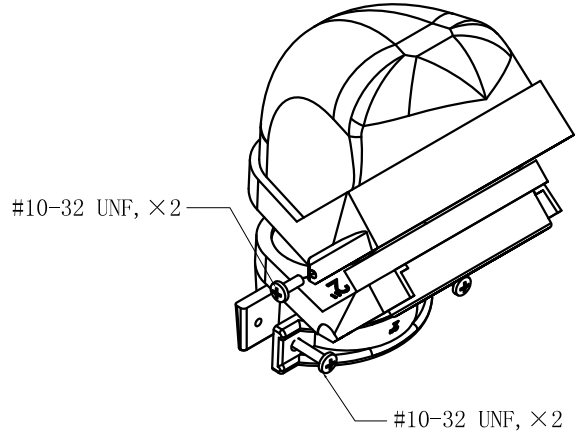
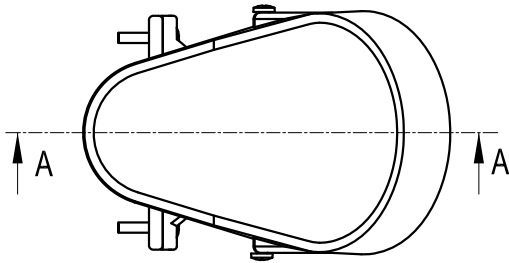


SIDES	BOTTOM
2 PCS 10-32×1/2 Screws Installed	
2 PCS 10-32×1 Screws Installed	
Material: Aluminum-A380 Shot Blasting	



CUTAWAY VIEW A-A



This data sheet is for reference only .GARVIN INDUSTRIES reserves the right to make changes to the design without prior notice.

DESCRIPTION
TRADE REFERENCE TERMS

STANDARD PACKING
1/8 PCS

<b>GARVIN INDUSTRIES</b>		
TITLE SERVICE ENTRANCE CAPS		
SIZE A4	DWG NO. SEC200	REV
DATA SHEET		