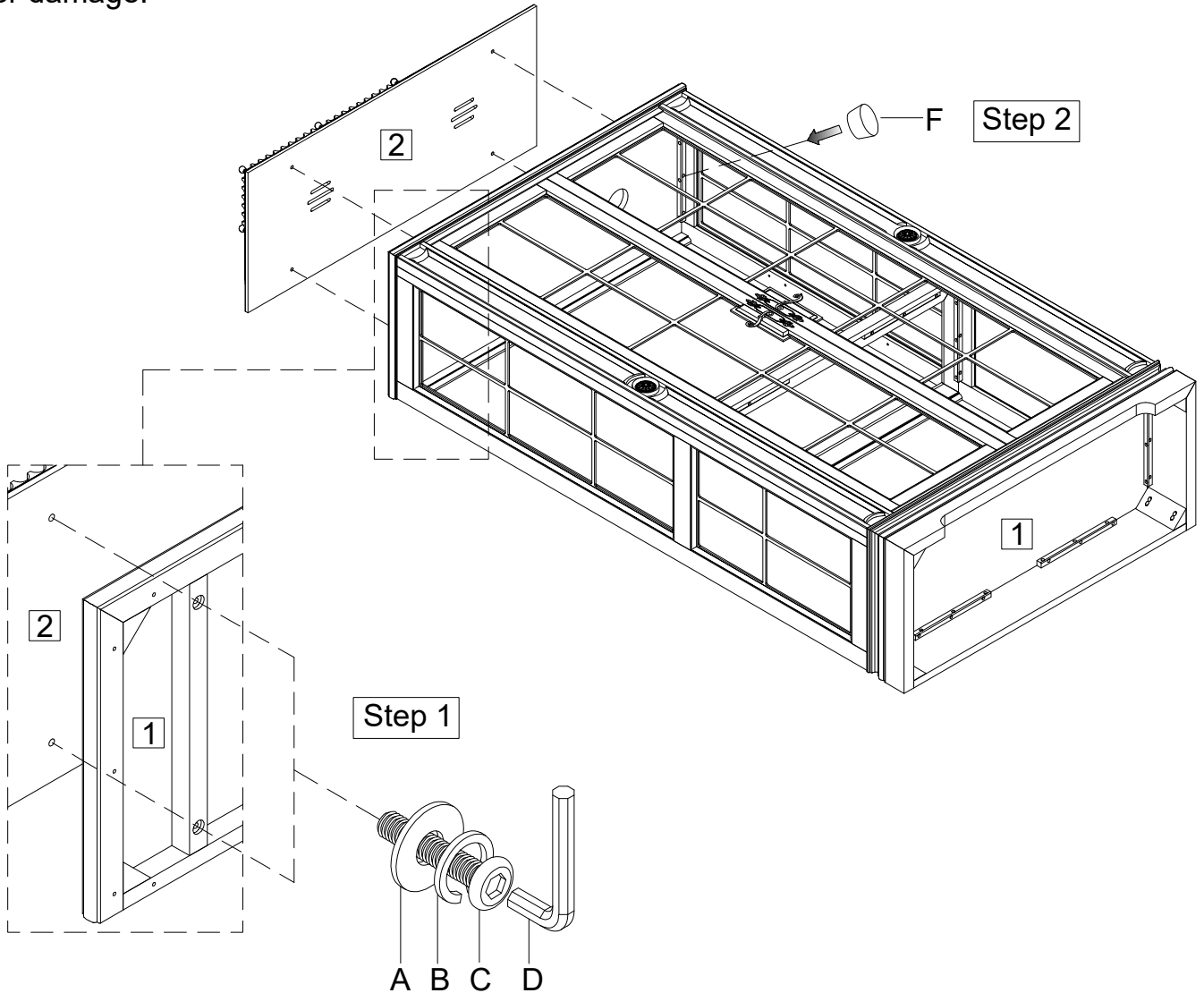



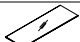


Thank you for purchasing this quality product from A.R.T. Furniture. Be sure to check all packing material for parts which may have come loose inside the carton during shipment. Identify and count all parts and compare with the parts list below.

Note: Some furniture is heavy, it is recommended that two people assembly this item to avoid injury or damage.



| Parts List | | | |
|------------|---|------------|---|
| 1 |  | China Base | 1 |
| 2 |  | China Top | 1 |
| 3 |  | Glass 1 | 3 |
| 4 |  | Glass 2 | 1 |

| No. | Hardware List | | Qt. |
|-----|--|-------------------------|-----|
| A |  | 1/4" X 19mm Flat Washer | 4 |
| B |  | 1/4" Lock Washer | 4 |
| C |  | 1/4" X 1 1/2" Bolt | 4 |
| D |  | 4mm Allen Wrench | 1 |
| E |  | Shelf Pin | 12 |
| F |  | Decorative Peg | 36 |

