

DECK-MOUNTED BIRD BATH HB-1131

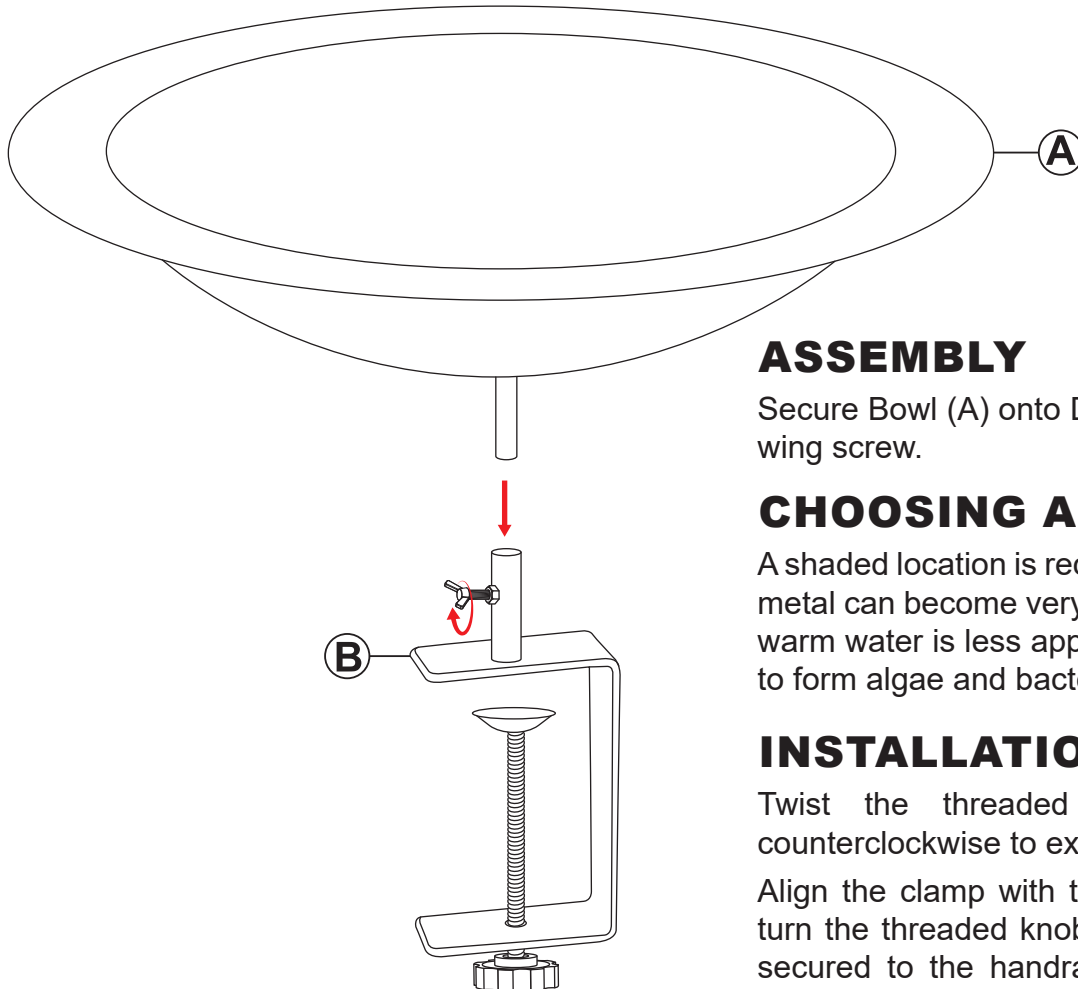
Review all assembly and care information before using this product. Save this manual for future reference.

Assemble components on a soft, clean surface to avoid damaging the finish.



Inspect packaging to ensure all parts are accounted for before disposing of packing materials.
Save the packing slip.

NO.	PARTS	QTY.
A	Bowl	1
B	Deck Clamp	1



ASSEMBLY

Secure Bowl (A) onto Deck Clamp (B) by tightening the wing screw.

CHOOSING A LOCATION

A shaded location is recommended for this bird bath; the metal can become very hot in summer sun. Additionally, warm water is less appealing to birds and is more likely to form algae and bacteria.

INSTALLATION

Twist the threaded knob on the deck clamp counterclockwise to expand the opening of the clamp.

Align the clamp with the handrail of your deck. Then, turn the threaded knob clockwise until the bird bath is secured to the handrail. Check to ensure the unit is firmly secured.

! WARNING:

Manufacturer and seller expressly disclaim any and all liability from personal injury, property damage or loss, whether direct or indirect, or incidental, resulting from the incorrect attachment, improper use, inadequate maintenance, or neglect of this product.

Use, Care & Maintenance

Avoid high-traffic areas such as locations where children and pets play.

A shaded location is recommended for this bird bath; the metal can become very hot in summer sun. Additionally, warm water is less appealing to birds and is more likely to form algae and bacteria.

Do not use this unit during freezing temperatures as doing so can harm wildlife.

Clean the bowl regularly, at least once per week.

Cleaning

Clean often. Do not use harsh chemicals or abrasive materials to clean this unit.

Clean the bowl at least once per week to prevent bacteria, pathogens, and algae from forming. Failure to maintain and fully clean the bowl on a regular basis may damage the finish. Manufacturer is not liable for damage caused by improper maintenance and/or use of chemical treatments.

Wash components using a mixture of 9 parts warm water to 1 part white distilled vinegar. Scrub with a cloth or a soft-bristled brush.

Thoroughly rinse with clean water and dry with a clean cloth.

WARNING: THE ONE-YEAR WARRANTY DOES NOT COVER DAMAGES OR DEFECTS CAUSED BY THE APPLICATION OF CHEMICAL TREATMENTS, PROTECTIVE COATINGS, TOUCH-UP PAINT, OR CLEANING PRODUCTS.

SAFETY STATEMENTS & WARNINGS

- Ensure the deck clamp is fully secured before use.
- Do not exceed the capacity of the unit.
- Do not use harsh chemicals or abrasive materials to clean the unit as they may damage the product and void the product warranty.
- Store this unit during freezing temperatures as exposure to freezing temperatures may damage the product and could potentially harm wildlife.
- Manufacturer is not liable for damages or defects caused by exposure to weather elements.

Any modification to the product or failure to follow recommended care will void the product warranty.

If you experience issues with assembly or the product was damaged during shipping, please contact our customer service team through one of the methods mentioned at the top of page 1.

Please have the item number and order information ready to expedite response time.

WARNING:

Manufacturer and seller expressly disclaim any and all liability from personal injury, property damage or loss, whether direct or indirect, or incidental, resulting from the incorrect attachment, improper use, inadequate maintenance, or neglect of this product.