

3.6V LITHIUM-ION CORDLESS SCREWDRIVER

Item Number W1562

OWNER'S MANUAL



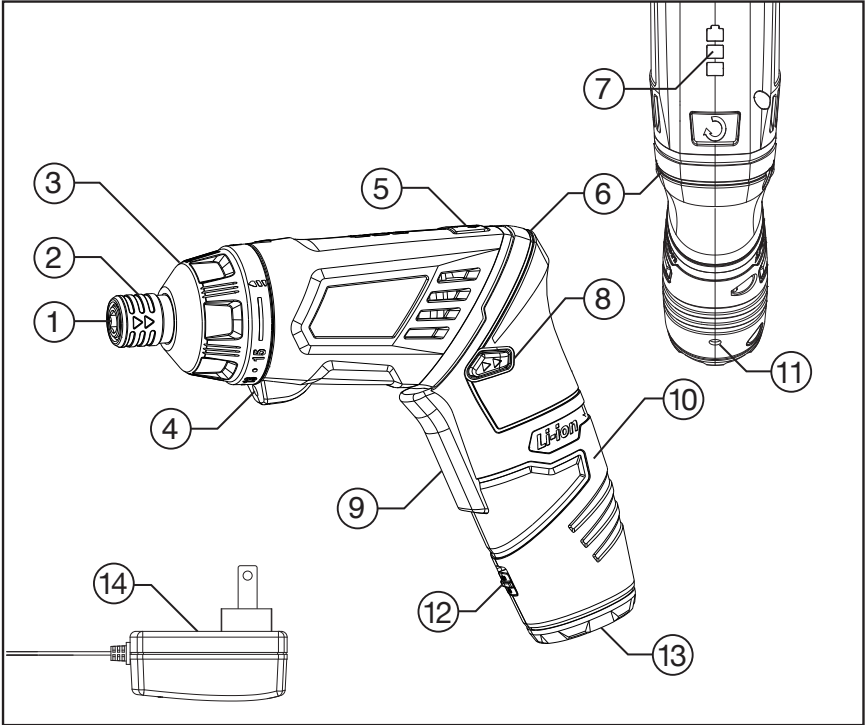
Performance Tool®

▲WARNING: READ, UNDERSTAND AND FOLLOW ALL INSTRUCTIONS AND WARNINGS BEFORE OPERATING THIS TOOL. FAILURE TO DO SO MAY RESULT IN PERSONAL INJURY AND/OR PROPERTY DAMAGE AND WILL VOID WARRANTY.

PT
Performance Tool

TOOL FEATURES

1. 1/4 in. Hex Bit Chuck
2. Quick Change Collar
3. Adjustable Clutch
4. Work Area LED
5. Handle Locking Button
6. Handle Swivel Joint
7. Battery Status Display
8. Directional Switch/Trigger Lock
9. Trigger
10. Handle
11. Charging Port
12. Flashlight Switch
13. Flashlight LED
14. Battery Charger



SPECIFICATIONS:

Drive Style: 1/4 in. Hex w/Quick Connect Chuck
Battery Type: 3.6v Lithium-Ion/1300mAh
No-Load Speed: 210 RPM
Maximum torque: 40 in/lbs (4.5Nm)
Charger Voltage Input: 100-240 V~ 50/60 Hz @ 0.2A
Charger Output: 5.5v @ 0.6A
Charging Time: 2-3 hours
Weight: 0.95 pounds

Specifications are subject to change without notice.

SAFETY GUIDELINES / DEFINITIONS

This instruction manual is intended for your benefit. Please read and follow the safety, installation, maintenance and troubleshooting steps described within to ensure your safety and satisfaction. The contents of this instruction manual are based upon the latest product information available at the time of publication. The manufacturer reserves the right to make product changes at any time without notice.

▲WARNING: Read and understand this entire instruction manual before attempting to assemble, install, operate or maintain this product. Failure to comply with the instructions may result in serious personal injury and/or property damage!

The following signal words are used to emphasize safety warnings that must be followed when using this product:

▲DANGER: Indicates an imminently hazardous situation that, if not avoided, WILL result in death or serious injury.

▲CAUTION: Indicates a potentially hazardous situation that, if not avoided, MAY result in minor or moderate injury.

▲WARNING: Indicates a potentially hazardous situation that, if not avoided, COULD result in death or serious injury.

▲NOTE: Indicates important information, which if not followed, MAY cause damage to equipment.

▲WARNING. READ, UNDERSTAND AND FOLLOW ALL INSTRUCTIONS AND WARNINGS BEFORE OPERATING THIS PRODUCT. FAILURE TO DO SO MAY RESULT IN FIRE, ELECTRICAL SHOCK, PERSONAL INJURY AND/OR PROPERTY DAMAGE AND WILL VOID WARRANTY.

WORKPLACE SECURITY

- Keep the area clean and well lit. Cluttered or dark areas can cause accidents.
- Do not use power tools in explosive environments, e.g. in the presence of flammable liquids, gases or dust. Power tools create sparks which may ignite the dust or fumes.
- Keep children and people away during the use of the tool. Distractions can cause you to lose control of the tool.

ELECTRICAL SAFETY

- It is necessary that the power tool plugs are adapted to the base. Never modify the plug in any way. Do not use adapters with earthed tools. Unmodified plugs and adapted bases reduce the risk of electric shock.
- Avoid contact with grounded objects such as pipes, radiators, stoves and refrigerators. There is an increased risk of electric shock if your body is in contact with grounded surfaces.
- Do not expose power tools to rain or wet conditions. The penetration of water into a tool increases the risk of electric shock.
- Do not misuse the cable. Do not use the cord for carrying, pulling or unplugging the tool. Keep the cord away from heat, oil, edges or moving parts. Damaged or entangled cords increase the risk of electric shock.

PERSONAL SAFETY

- Be aware of what you are doing and use common sense while using the tool. Do not use a tool when you are tired or under the influence of drugs, alcohol or medication. A moment of distraction while using a tool can cause serious personal injury.
- Use safety equipment. Always wear eye protection. Safety equipment such as dust masks, non-slip safety shoes, helmets or ear protection used in appropriate conditions will reduce the risk of injury.
- Avoid accidental starting. Carrying tools with your finger on the trigger or inserting the battery into the tool with the trigger pulled can cause accidents and injury.
- Do not rush. Maintain proper footing and balance at all times. This allows better control of the tool in unexpected situations.
- Dress appropriately. Do not wear loose clothing or jewelry. Keep hair, clothing and gloves away from moving parts. Loose clothing, jewelry or long hair can get caught in moving parts.

USE AND MAINTENANCE OF THE TOOL

- Do not force the tool. Use the right tool for the application being performed. A suitable tool will do the job better and more safely if used for the purpose for which it has been built.
- Do not use the tool if the switch does not allow you to turn it on or off. Any tool that can not be controlled by the switch is dangerous and must be repaired.
- Disconnect the power supply, battery block and battery charger from the tool before changing accessories or before storing the tool. These preventive safety measures reduce the risk of accidental starting of the tool.
- Keep the tool away from children and do not allow the tool to be used by people who are not familiar with the operation of the tool. Tools are dangerous in the hands of inexperienced operators.
- Make sure the tools moving parts are not aligned or blocked, that it has not broken any parts or any other condition that may affect the operation of the tool. In case of damage, take the tool to a repair service before using it again. Many accidents are caused by poorly maintained tools.
- Use the tool, accessories and bits, etc. according to these instructions, taking into account the working conditions and the work to be done. The use of the tool for operations other than those provided can lead to dangerous situations.

USING MACHINES WITH BATTERY AND PRECAUTIONS FOR USE

- Do not use any other charger than the one specified by the manufacturer. A charger that fits to a type of battery can cause a risk of fire when used with other types of batteries.
- Do not use tools with batteries other than those specified. The use of any other type of battery may create a risk of injury and fire.
- In bad conditions, liquid may be ejected from the battery; avoid any contact. In case of accidental contact, flush with water. If the fluid comes into contact with eyes, seek medical assistance. The ejected battery fluid may cause irritation or burns.

CARE AND MAINTENANCE

1. Repairs must be performed by a qualified expert, using only identical replacement parts. This will ensure that the safety of the tool is maintained.
2. Remove the battery from tool and disconnect the charger from the wall outlet before cleaning.

CLEANING

1. Keep protection devices, air vents and the motor housing as clean (dust free) as possible. Clean the tool with a clean cloth or clean with compressed air at low pressure.
2. We recommend cleaning the tool directly after each use.
3. Clean the tool regularly with a damp cloth and a little soap. Do not use any cleaner or detergent, they can damage the plastic parts of the tool. Ensure that no water enters the tool.

MAINTENANCE

1. Recharge the battery at least once a year to maintain battery life.

ENVIRONMENTAL PROTECTION

This device uses electronic components, so they should not be deposited with household garbage! Please help by collaborating to protect resources and the environment. Dispose of these products through relevant recycling services, if any. For questions on this matter, please contact your local waste management or a specialized site.

OPERATION

PROPER USE

The cordless screwdriver is designed for tightening and undoing screws. This tool should not be used for purposes other than its prescribed purpose. Any other use is deemed to be a case of misuse. The user / operator and not the manufacturer will be liable for any damage or injuries of any kind caused as a result of this. Please note that our equipment has not been designed for use in commercial, trade or industrial applications. Our warranty will be voided if the machine is used in commercial, trade or industrial businesses or for equivalent purposes.

INTENDED USE

The tool is designed for screwing and unscrewing fasteners.

This tool should not be used for purposes other than those described above.

BEFORE USE

Before turning on the cordless screwdriver, read the following notes:

1. Charge the battery with the provided charger (14). A fully discharged battery recharges in about 2-3 hours.
2. Use only appropriate bits and tip screwdrivers.
3. When screwing into walls, check for hidden power, gas or water lines.

CHARGING THE BATTERY

1. Check if the power voltage on the rating plate corresponds to the voltage available.
2. Plug charger's power lead into charging port of battery (11), in the handle (10). A red LED will light on the battery status display (7) indicates that the battery is charging.
3. As the battery is charge the battery status display will illuminate the red, then the yellow and lastly the green LED once the battery is fully charged.
4. During charging, it is normal for the battery to warm slightly. If the Red LED does not illuminate indicating that the battery is charging verify:
 - That the socket has voltage.
 - That the charger contacts are reliable.
 - Verify there is no damage to the charging cord.

LED DISPLAY

Three color LEDs (7) indicate the battery status whenever the trigger (9) is pressed.

- All LEDs are lighted: the battery is fully charged.
- Yellow and red LEDs lighted: the battery has charge.
- Red LED lighted: the battery is almost empty and needs to be recharged.

TORQUE SETTINGS

This tool has a mechanical clutch (3) with 15 + 1 different torque settings.

Setting 1 is the lowest torque setting and 15 the highest. A clicking will be heard and felt when the torque setting has been reached. Use the right setting for the application. This will help prevent overtightening and stripping of fasteners.

The last torque setting () bypasses the mechanical clutch and applies maximum torque.

Use this setting when maximum torque is required.

ATTENTION! Do not adjust the mechanical clutch until the tool comes to a complete stop.

PROPER SETTING FOR DRIVING SCREWS:

1. Set the torque adjustment ring on the lowest setting to begin.
2. Try tightening the first screw. If the drill drives smoothly, proceed with the next screw.
3. If the drill's clutch slips, increase the torque setting and try again until the drill drives the screw without incident.

OPERATION

SWITCHING THE DIRECTION OF ROTATION

The directional switch and trigger lock (8) allows you to choose the rotational direction of the tool or set the trigger lock. You can select clockwise (forward) rotation by pushing the switch all the way to the right OR counter clockwise (reverse) by pushing the switch all the way to the left. When the directional switch and trigger lock is in the center position (trigger lock), the trigger is locked and the tool is inoperable but you can still activate the battery status display (7) and the work area LED (4) by slightly depressing the trigger (9).

TRIGGER

When depressing trigger (9) the motor only has one speed of operation. To stop motor release trigger.

TOOL CHANGE

The cordless screwdriver is equipped with a 1/4 in. hex quick connect chuck with locking collar to retain the bit.

1. Push down the quick change collar (2) towards the body of the tool and insert any 1/4 in. hex bit into the end of the 1/4 in. hex bit chuck (1).
2. After inserting the bit release the chuck and allow it to move back in place. The chuck will hold the bit in place.
3. Verify the installed bit is secure by attempting to pull the bit forward and out of the chuck

▲ CAUTION: Be aware that this tool is always in an operating condition because it does not have to be plugged into an electrical outlet. Always lock the Trigger Switch and remove the battery pack before changing accessories.

CONVERTING SCREWDRIVER HANDLE

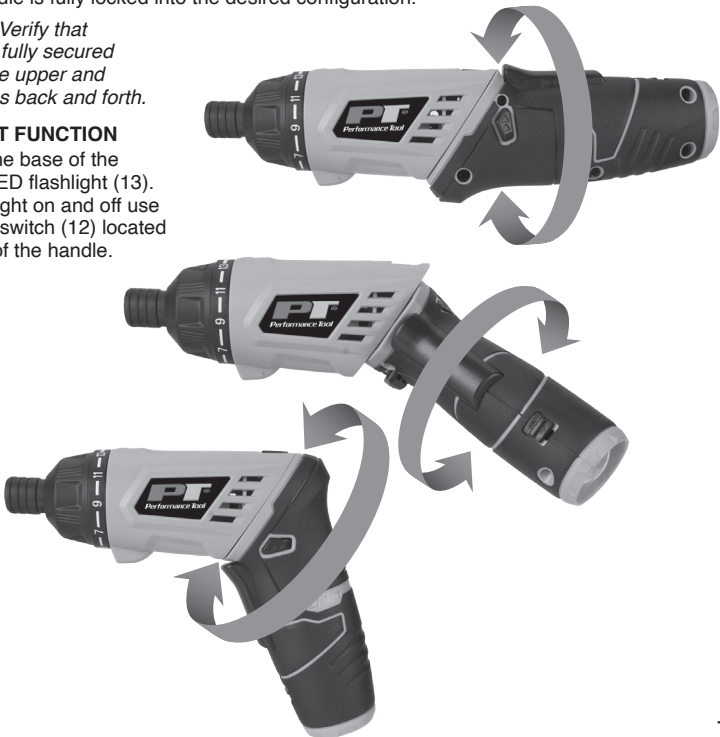
The handle can be configured in a pistol grip position or an in-line / straight angle.

To do so, press the handle locking button (5) and twist the tool along the handle swivel joint (6) to move the screwdriver into the desired position. The handle locking button will click into place once the handle is fully locked into the desired configuration.

Before use: Verify that the handle is fully secured by twisting the upper and lower sections back and forth.

FLASHLIGHT FUNCTION

Mounted in the base of the handle is a LED flashlight (13). To turn flashlight on and off use the flashlight switch (12) located on the base of the handle.



▲WARNING: *It is the owner and/or operators' responsibility to study all WARNINGS, operating, and maintenance instructions contained on the product label and instruction manual prior to operation of this product. The owner/operator shall retain product instructions for future reference.*

The owner and/or operator are responsible for maintenance, maintaining all decals or warning labels and while in use, maintaining the unit in good working order. If the owner and/or operator are not fluent in English, the product warnings and instructions shall be read and discussed with the operators' native language by the purchaser/owner or his designee. Make sure that the operator comprehends its contents. Safety information shall be emphasized and understood prior to usage. The product shall be inspected per the operating instructions.

Users of this product must fully understand these instructions. Each person operating this product must also be of sound mind and body and must not be under the influence of any substance that might impair their vision, dexterity or judgment.

Protect yourself and others by observing all safety information.

Failure to comply with instructions could result in personal injury and/or property damage!

If you encounter any problems or difficulties, please contact our customer service department at: 1-800-426-1262 between 6:30 a.m. and 4:30 p.m. Pacific time.

1 YEAR WARRANTY

PERFORMANCE TOOL® extends only the following warranties, and only to original retail purchasers. These warranties give specific legal rights. Except where prohibited by local law, the law of the State of Washington governs all warranties and all exclusions and limitations of warranties and remedies. There may be other rights which vary from state to state.

PERFORMANCE TOOL® warrants the product to be free from defects in materials and workmanship under normal use and service. A defective product may be returned for a free replacement within 90 days from the date of purchase, provided that product is returned to place of purchase immediately after discovery of defect. After 90 days and up to one year from date of purchase, PERFORMANCE TOOL® will replace at no charge any parts which our examination shall disclose to be defective and under warranty. These warranties shall be valid only when a sales receipt showing the date of purchase accompanies the defective product or defective part (s) being returned. For part (s) after 90 days, please remit your request, postage prepaid to:

PERFORMANCE TOOL, P.O. Box 88259 Tukwila, WA 98138

These warranties exclude blades, bits, punches, dies, bulbs, fuses, hoses, and other consumables which must be replaced under normal use and service. These warranties shall not apply to any product or part which is used for a purpose for which it is not designed, or which has been repaired or altered in any way so as to affect adversely its performance or reliability, nor shall these warranties apply to any product or part which has been subject to misuse, neglect, accident or wear and tear incident to normal use and service.

PERFORMANCE TOOL® does not authorize any other person to make any warranty or to assume any liability in connection with its products.

Except for warranties of title and the limited express warranties set forth above, PERFORMANCE TOOL® makes no express or implied warranties of any kind with respect to its products. In particular, PERFORMANCE TOOL® makes no implied warranty of merchantability and no implied warranty of fitness for any particular purpose, except that for goods purchased primarily for personal, family or household use and not for commercial or business use, PERFORMANCE TOOL® makes an implied warranty of merchantability (and, if otherwise applicable, an implied warranty of fitness for a particular purpose), but only for the particular qualities or characteristics, and for the duration, expressly warranted above.

The laws on limitation of implied warranties may differ from state to state, so the above limitations may not apply in all cases.

PERFORMANCE TOOL® shall not be liable for consequential, incidental or special damages resulting from or in any manner related to any product, or to the design, use, or any inability to use the product. The sole and exclusive remedy for a defective product or part shall be the repair, or replacement thereof as provided above. The laws on limitation of remedies or on consequential, incidental or special damages may vary from state to state, so the above limitations may not apply in all cases.