

# Assembly Guide



**Bush**  
FURNITURE

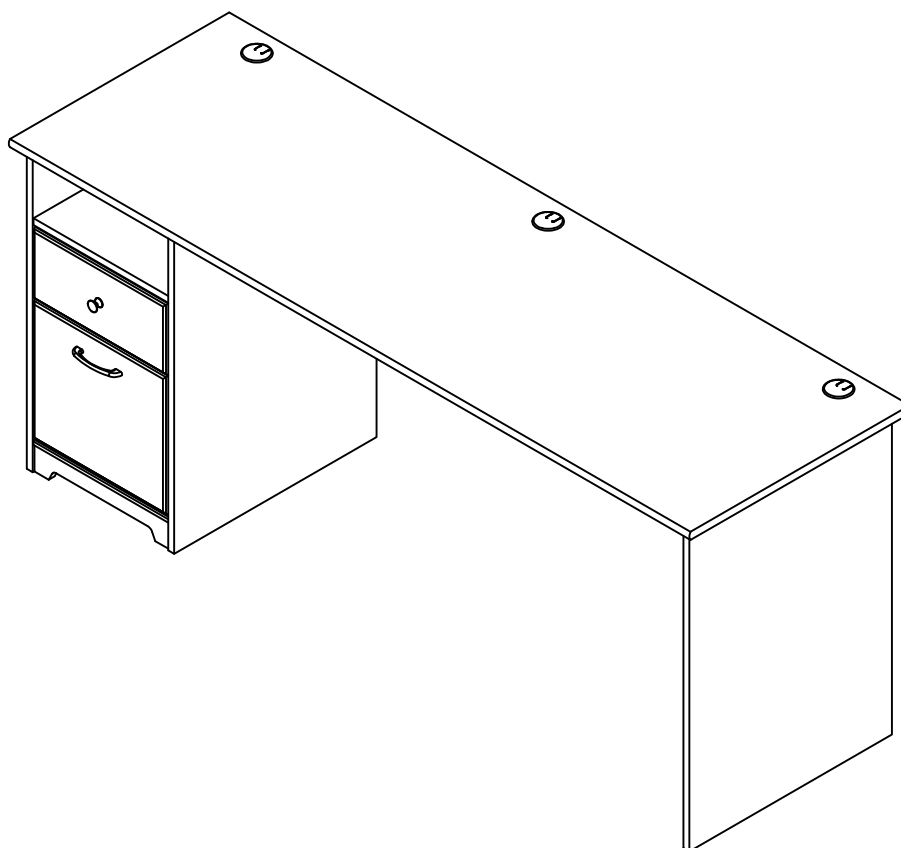


If you're having any difficulty during assembly of this product, don't hesitate to call us at **1-800-950-4782.**

Our customer service experts are trained to provide step-by-step instruction and can easily replace any missing or damaged parts.

**Representatives are available Monday-Friday from 8:30 a.m. to 7:30 p.m. (ET)**

## 72W SINGLE PEDESTAL DESK



Lot Code #

Instruction Sheet Number A210577B

Keep manual for future reference.

## For best results, keep these tips in mind:

- ① We know you want to finish this assembly as quickly as possible, but trust us: you'll have a better experience if you take it one step at a time.
- ② Give yourself some room to work near where you want the fully assembled product.
- ③ If your floor isn't carpeted, assemble this product on the empty carton to avoid scratching.
- ④ Do you have a friend who owes you a favor? Some steps may go a little easier with a second set of hands.

### DOs

- ✔ Use a #2 Phillips head screwdriver (or other handheld tools as indicated)
- ✔ Wear safety glasses at all times during assembly
- ✔ Carefully follow the instructions in this guide and complete all steps in order
- ✔ Give us a call if you're having trouble with a particularly tricky step

### DON'Ts

- ✘ We know power tools are quick and easy, but you shouldn't use them when assembling this product (unless otherwise specified)
- ✘ Never move your furniture with items inside or resting on the surface
- ✘ Do not attempt to use this product before all steps have been completed



## Watch assembly videos right on your phone or computer!



Some steps include QR codes that link to helpful videos. Watch out for the icon on the left! Simply open up your smartphone camera to scan the code.

*(Users of older smartphones may need to install a QR Reader.)*

### SCAN HERE



FOR VIDEOS

Or visit <https://www.bushfurniture.com/CustomerService/HowtoAssemble.aspx>

# IMPORTANT SAFETY INFORMATION



## PLEASE READ WARNINGS

Improper use can cause safety hazards, or damage to your furniture and household items.

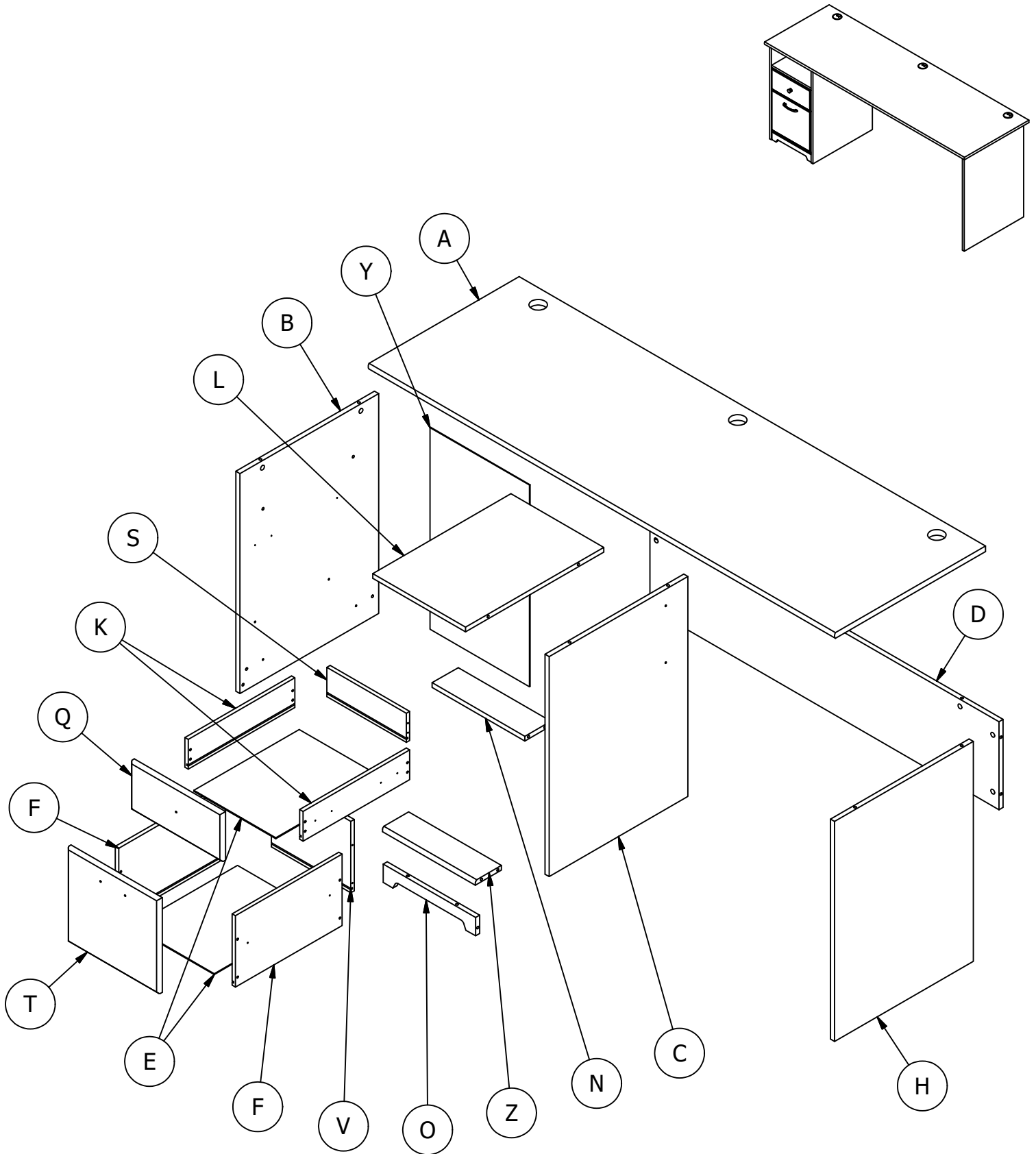
Warning	Do	Don't	Why it's important
<b>Serious injury may occur.</b>	<ul style="list-style-type: none"><li>Assemble following all instructions using all indicated parts and hardware provided.</li></ul>	<ul style="list-style-type: none"><li>Do not move unit when loaded.</li><li>Do not load with a television or other heavy equipment.</li><li>Do not exceed the maximum load limits stated in the instructions.</li></ul>	Improper assembly, use or loading can lead to product instability, tipover, or collapse.

Advertencia	Hacer	No	Por qué es importante
<b>Pueden producirse lesiones graves.</b>	<ul style="list-style-type: none"><li>Realice el montaje siguiendo todas las instrucciones y utilizando todas las piezas indicadas y los herrajes suministrados.</li></ul>	<ul style="list-style-type: none"><li>No mueva la unidad cuando esté cargada.</li><li>No cargue el mueble con un televisor u otro equipo pesado.</li><li>No supere los límites máximos de carga indicados en las instrucciones.</li></ul>	El montaje, uso o carga inadecuados pueden provocar inestabilidad, vuelco o colapso del producto.

Avertissement	À faire	À ne pas faire	Pourquoi c'est important
<b>Peut entraîner des blessures graves.</b>	<ul style="list-style-type: none"><li>Assembler en suivant toutes les instructions et en utilisant toutes les pièces et la quincaillerie incluses.</li></ul>	<ul style="list-style-type: none"><li>Ne pas déplacer le meuble lorsqu'il est chargé.</li><li>Ne pas charger le meuble avec un téléviseur ou tout autre équipement lourd.</li><li>Ne pas dépasser les limites de poids maximales indiquées dans les instructions.</li></ul>	Un assemblage, une utilisation ou un chargement incorrects peuvent entraîner l'instabilité, le basculement ou l'effondrement du produit.

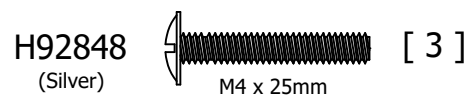
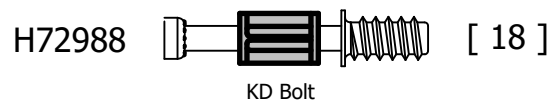
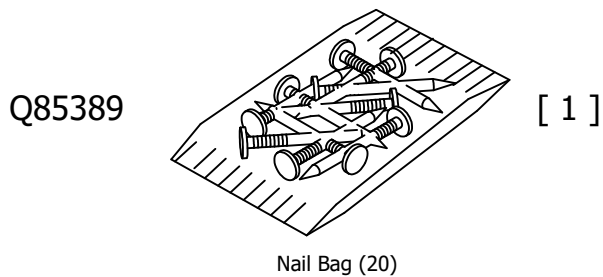
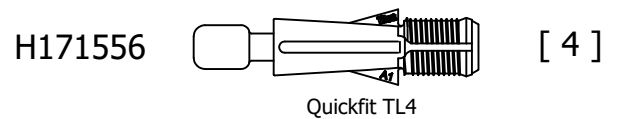
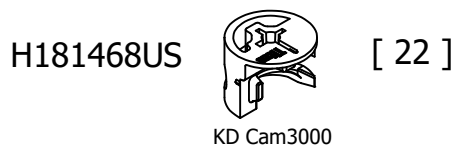
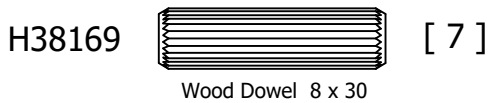
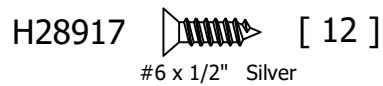
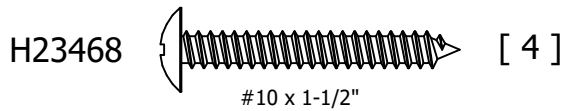
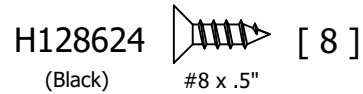
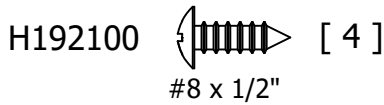
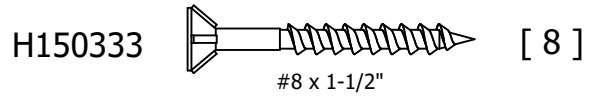
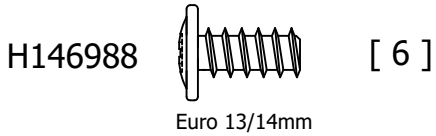
# Get to know your Boards

A210577B



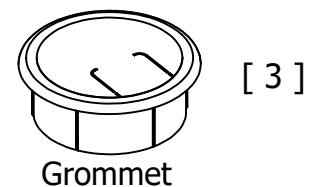
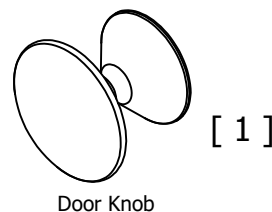
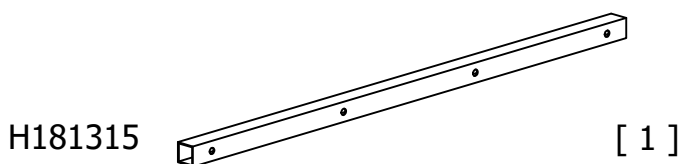
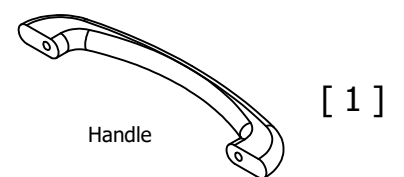
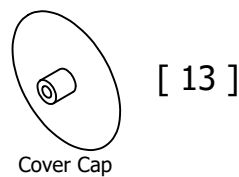
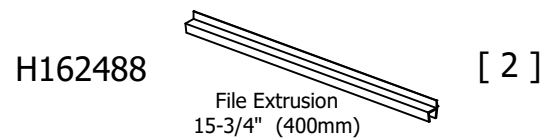
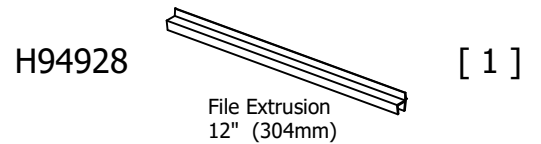
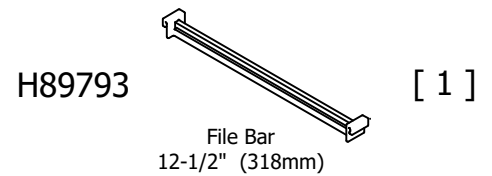
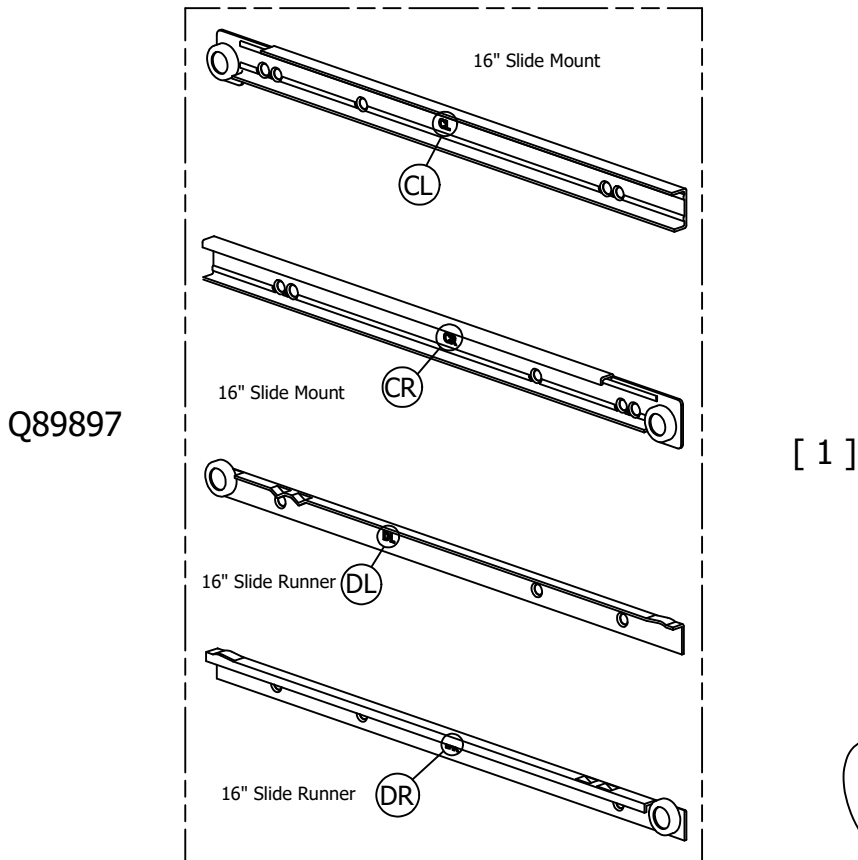
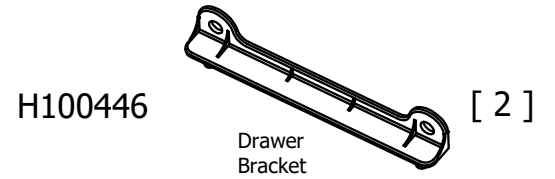
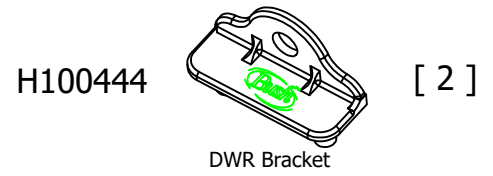
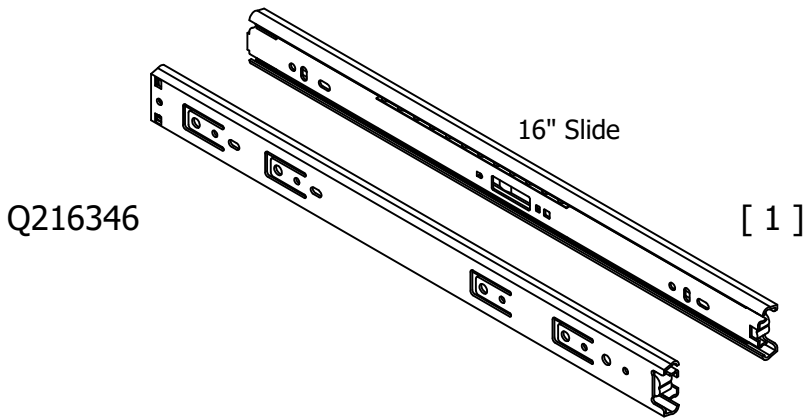
Have an assembly question or need a replacement part? Just call  
**1-800-950-4782**, we are here to help.

Fasteners are shown actual size.



Have an assembly question or need a replacement part? Just call  
**1-800-950-4782**, we are here to help.

Hardware not to scale.



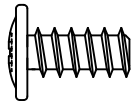
Have an assembly question or need a replacement part? Just call **1-800-950-4782**, we are here to help.

# STEP 1

## Prepare Panels

A210577B

H146988



Euro 13/14mm

[ 6 ]

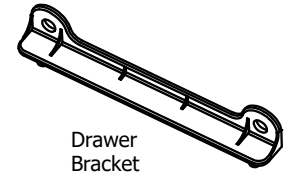
H100444



DWR Bracket

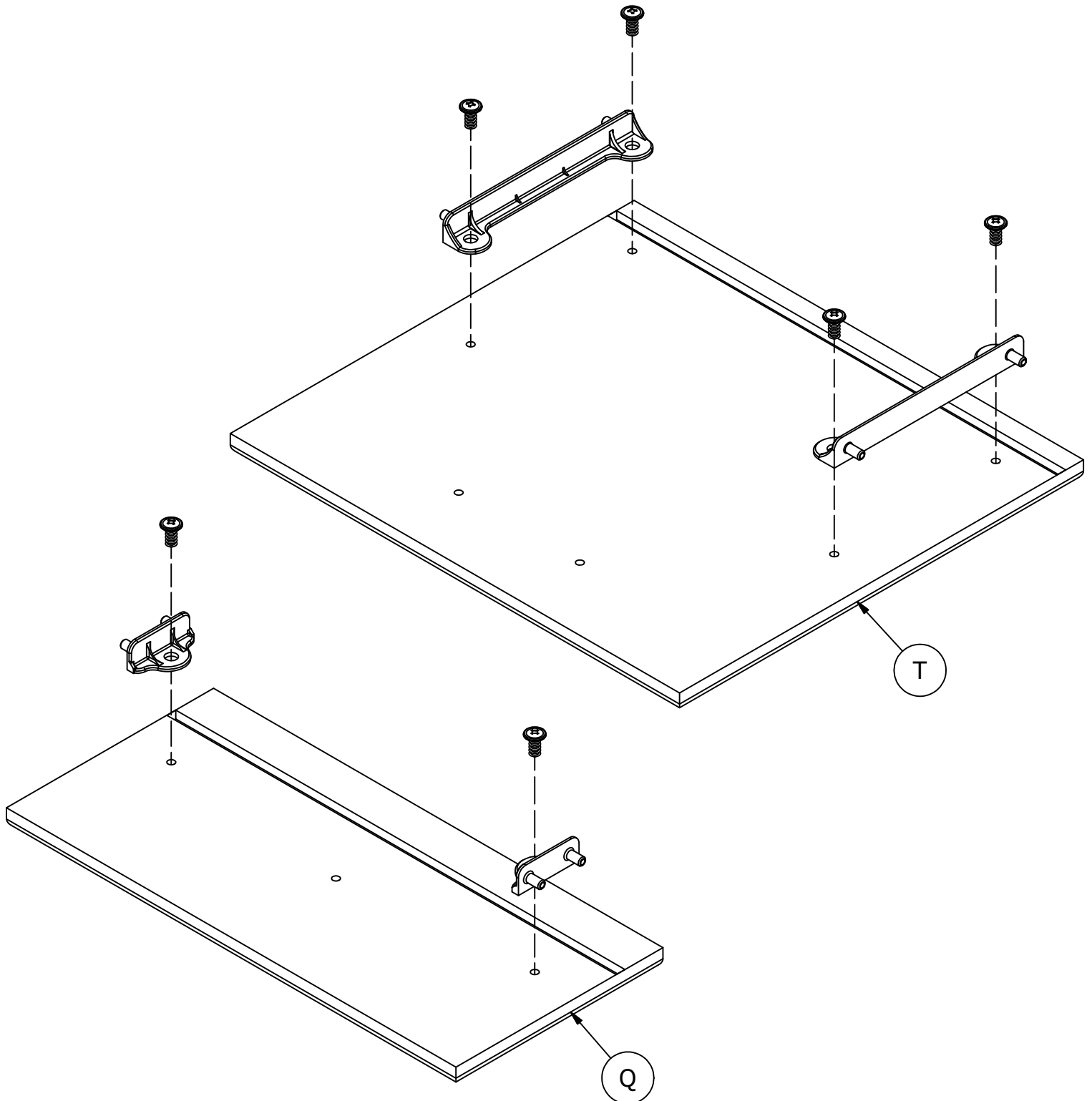
[ 2 ]

H100446



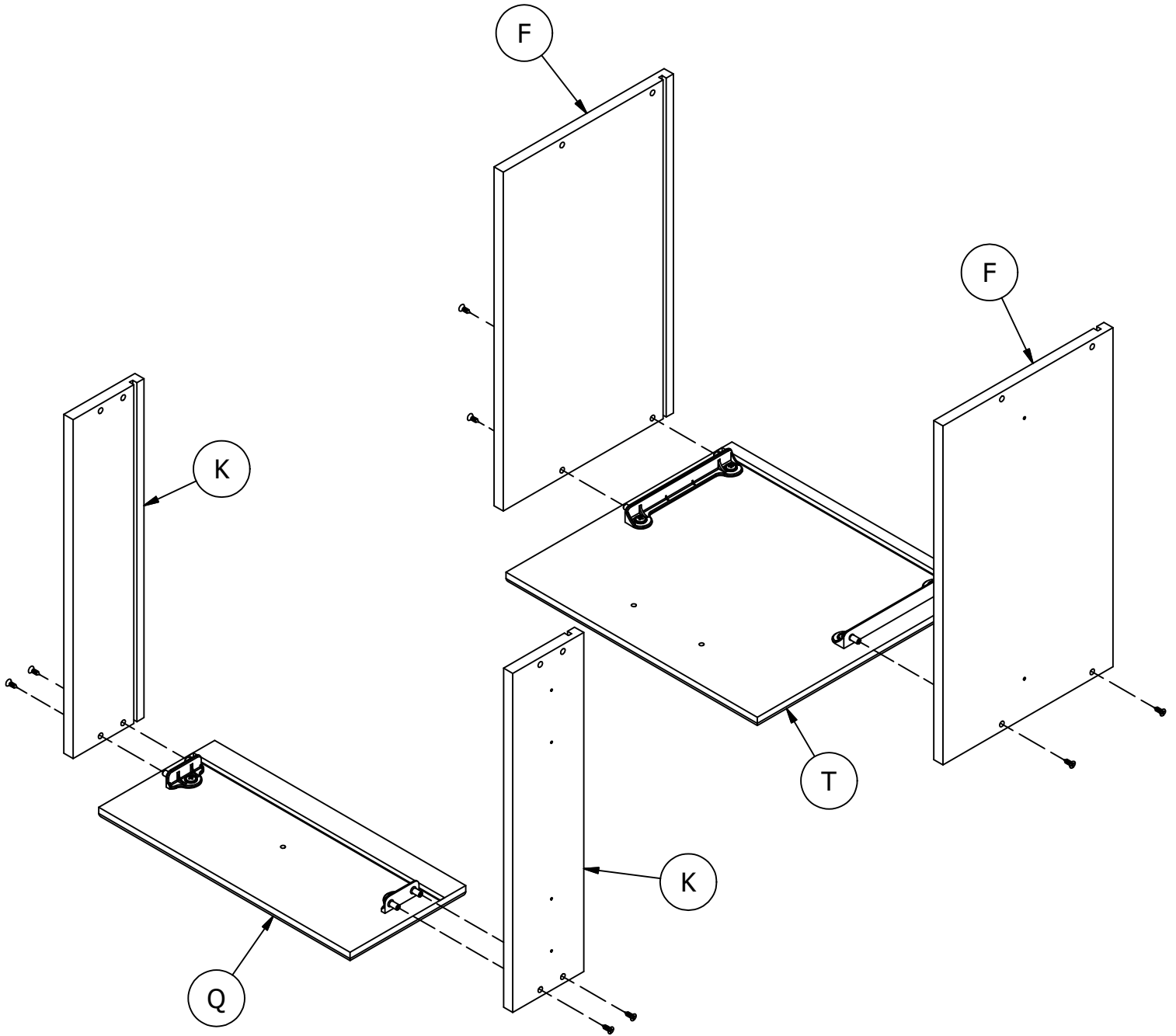
Drawer  
Bracket

[ 2 ]



Have an assembly question or need a replacement part? Just call  
**1-800-950-4782**, we are here to help.

H128624 [ 8 ]  
(Black) #8 x .5"



Have an assembly question or need a replacement part? Just call  
**1-800-950-4782**, we are here to help.

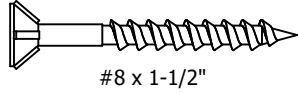


# STEP 3

# Assemble Drawers

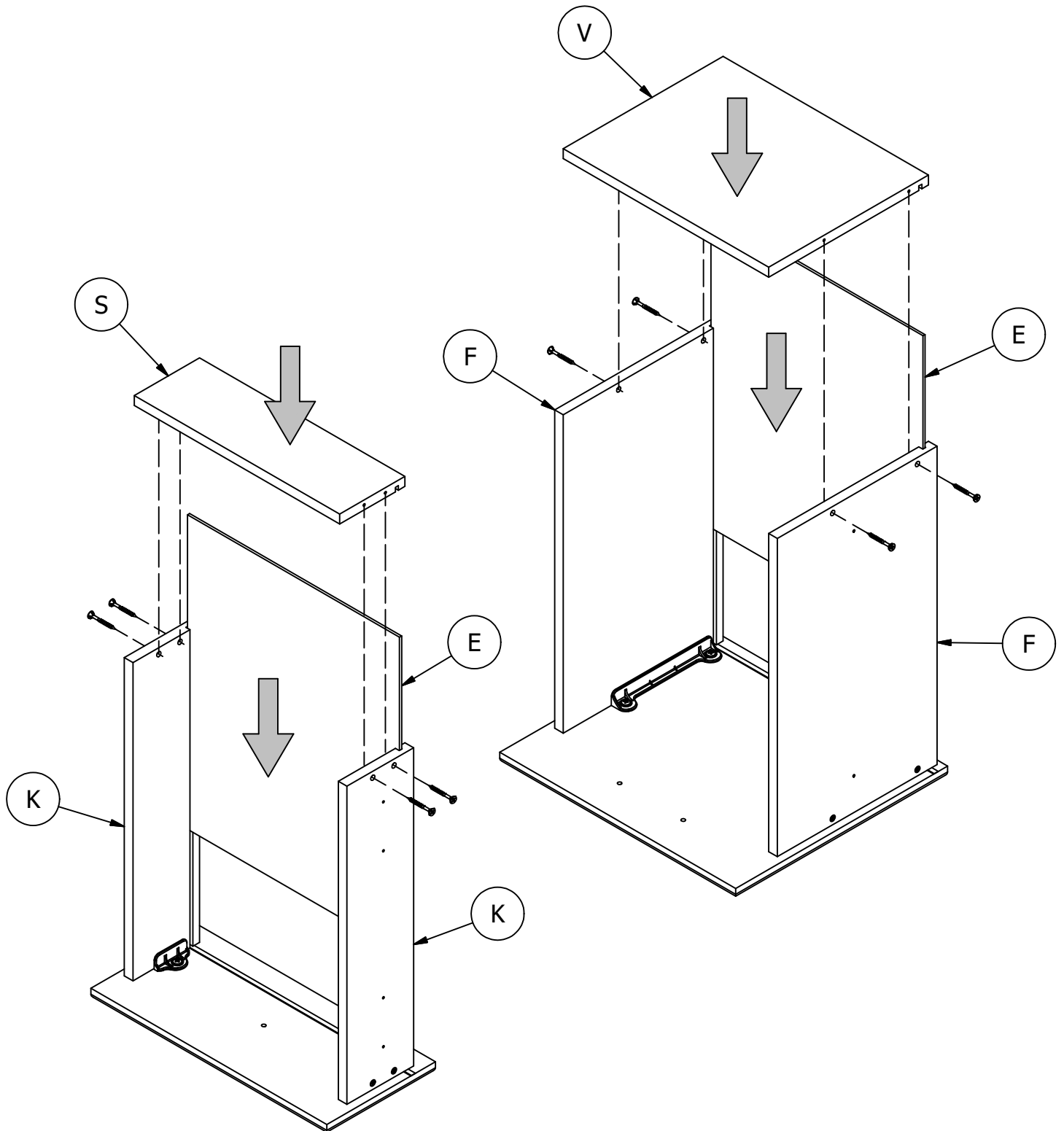
A210577B

H150333



[ 8 ]

#8 x 1-1/2"



Have an assembly question or need a replacement part? Just call  
**1-800-950-4782**, we are here to help.

Scan QR Code to Watch Video on:

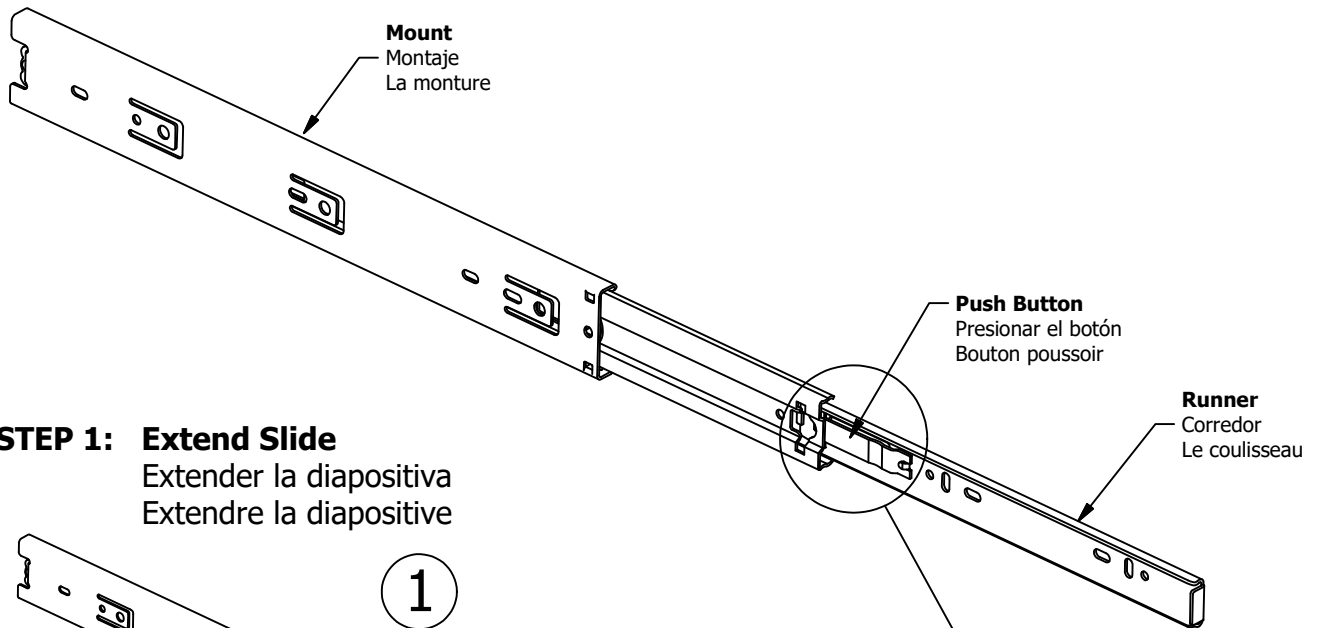


How to Separate and Install Drawer Slides

**Slides Must Be Separated Before Assembly.  
After Separated, Set Aside Until Needed for Assembly.**

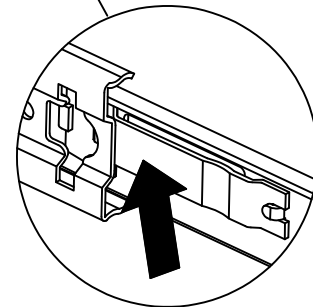
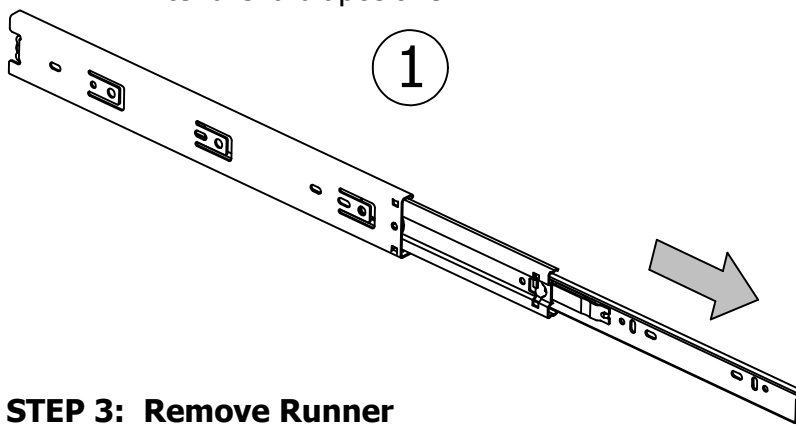
Las diapositivas deben separarse antes del montaje.  
Después de la separación, déjelo a un lado hasta que sea necesario.

Les glissières doivent être séparées avant l'assemblage.  
Après la séparation, mettez de côté jusqu'au moment de l'assemblage.



**STEP 1: Extend Slide**  
Extender la diapositiva  
Extendre la diapositive

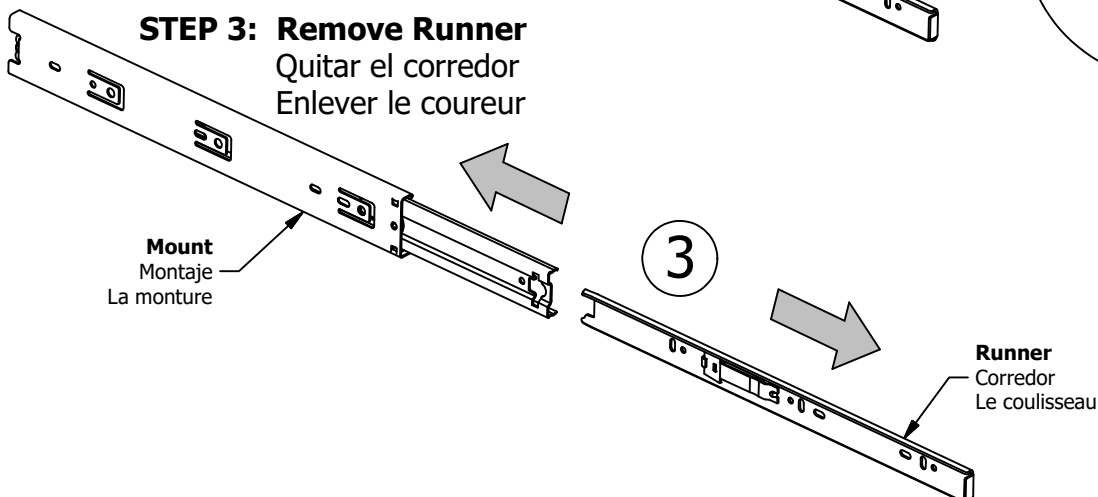
1



2

**STEP 3: Remove Runner**  
Quitar el corredor  
Enlever le coureur

3



Have an assembly question or need a replacement part? Just call **1-800-950-4782**, we are here to help.

# STEP 5

## Attach Hardware

A210577B

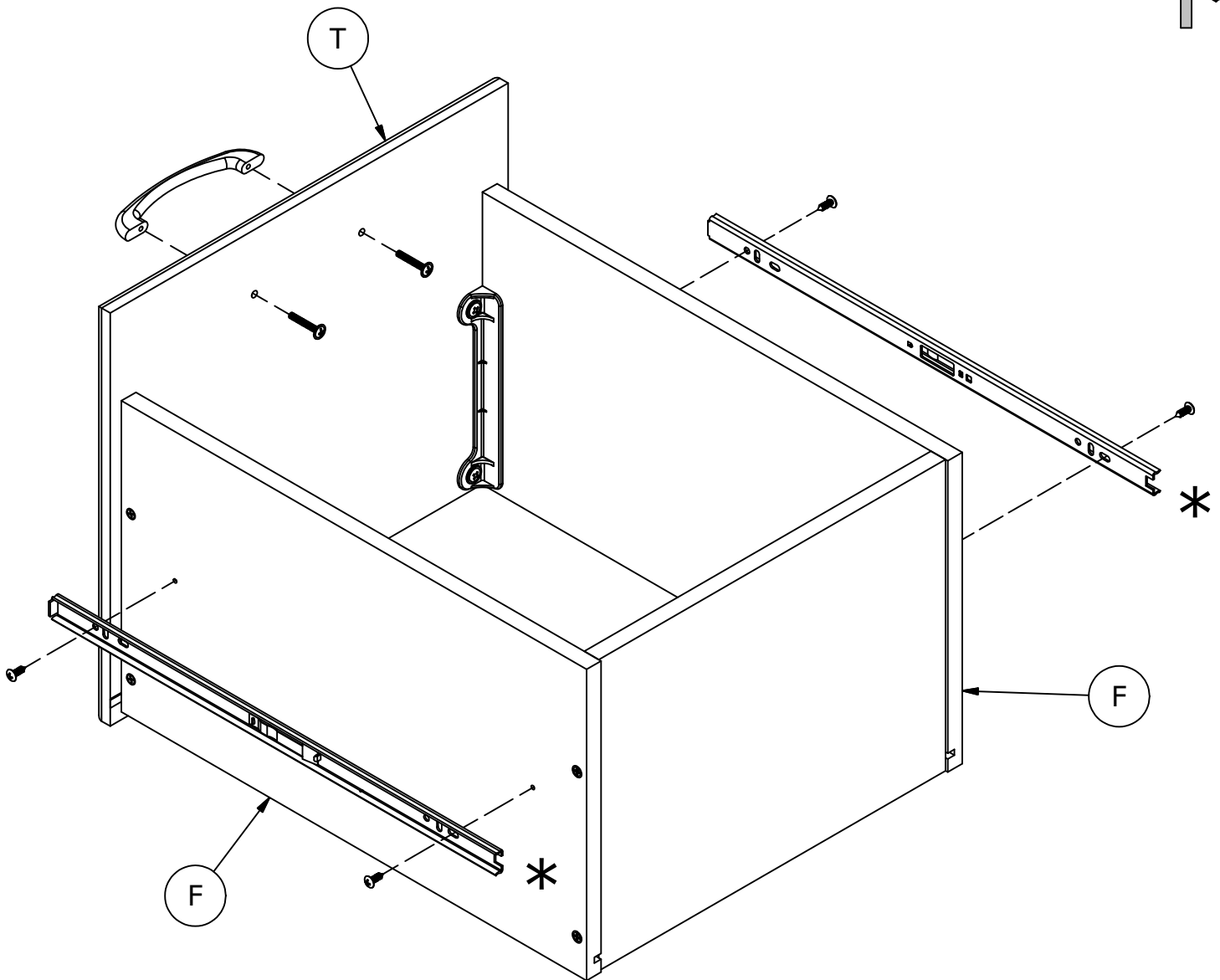
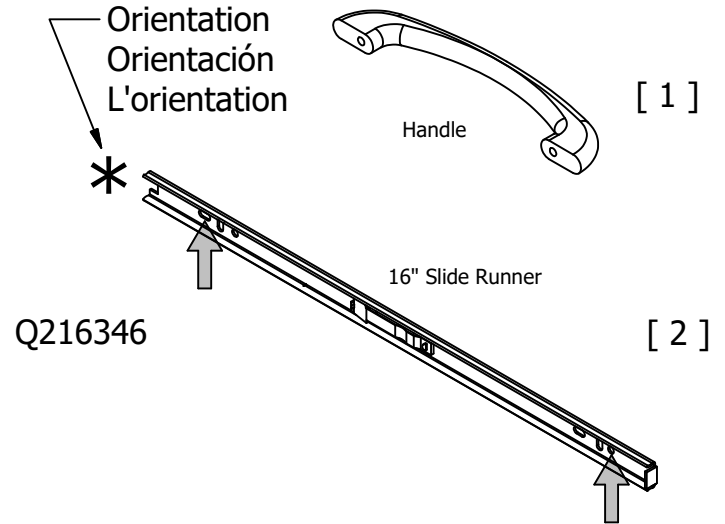
Scan QR Code to Watch Video on:



How to Separate and Install Drawer Slides

H192100 [ 4 ]  
#8 x 1/2"

H92848 [ 2 ]  
(Silver)  
M4 x 25mm



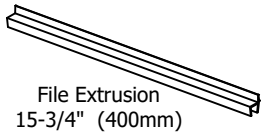
Have an assembly question or need a replacement part? Just call **1-800-950-4782**, we are here to help.

# STEP 6

# Attach Hardware

A210577B

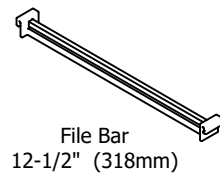
H162488



[ 2 ]

File Extrusion  
15-3/4" (400mm)

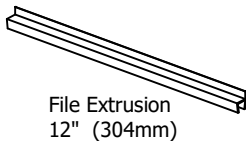
H89793



[ 1 ]

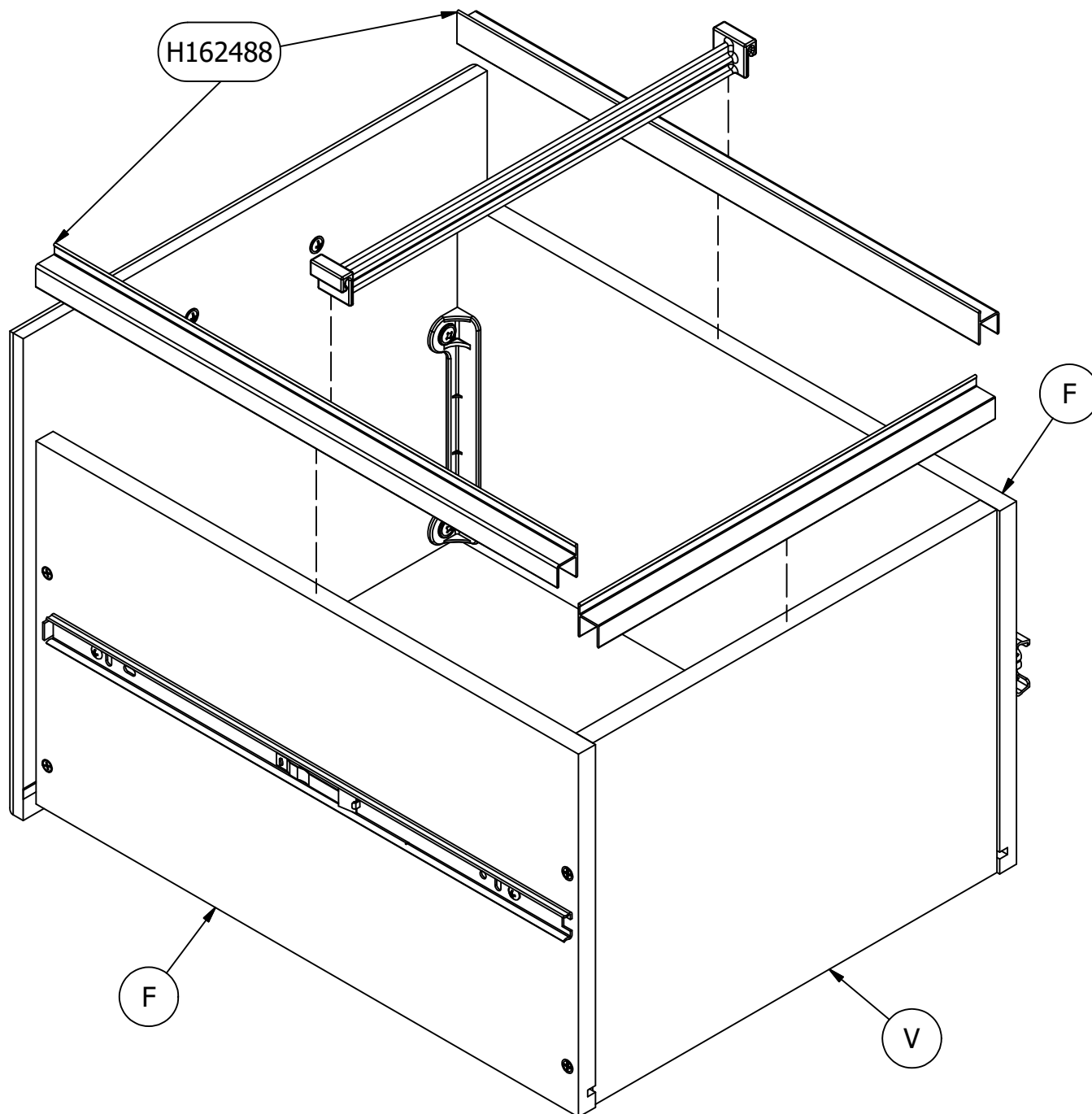
File Bar  
12-1/2" (318mm)

H94928



[ 1 ]

File Extrusion  
12" (304mm)

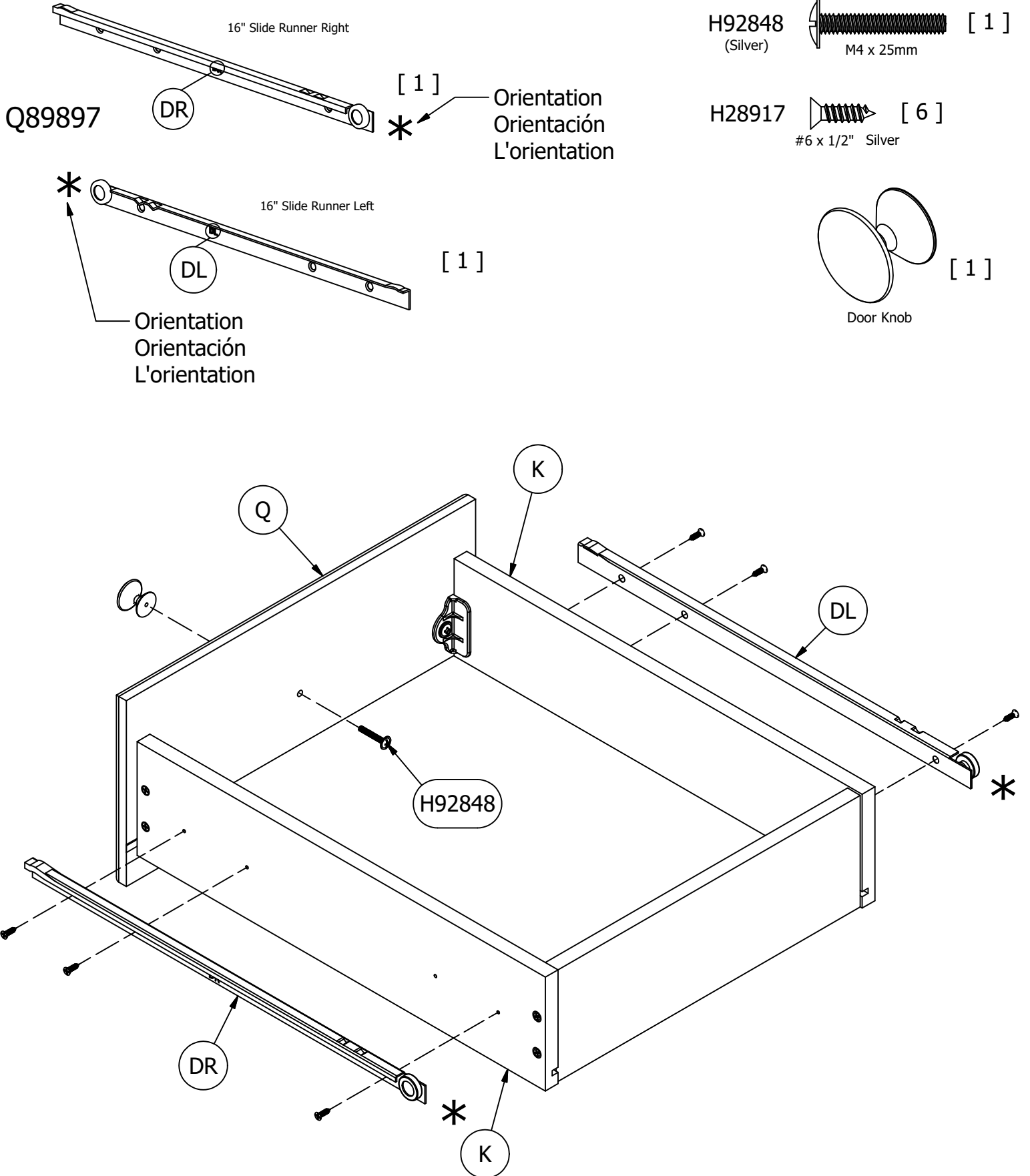


Have an assembly question or need a replacement part? Just call  
**1-800-950-4782**, we are here to help.

# STEP 7

# Attach Hardware

A210577B



Have an assembly question or need a replacement part? Just call  
**1-800-950-4782**, we are here to help.

# STEP 8

## Prepare Panel

A210577B

Scan QR Code to Watch Video on:



How to Separate and Install Drawer Slides

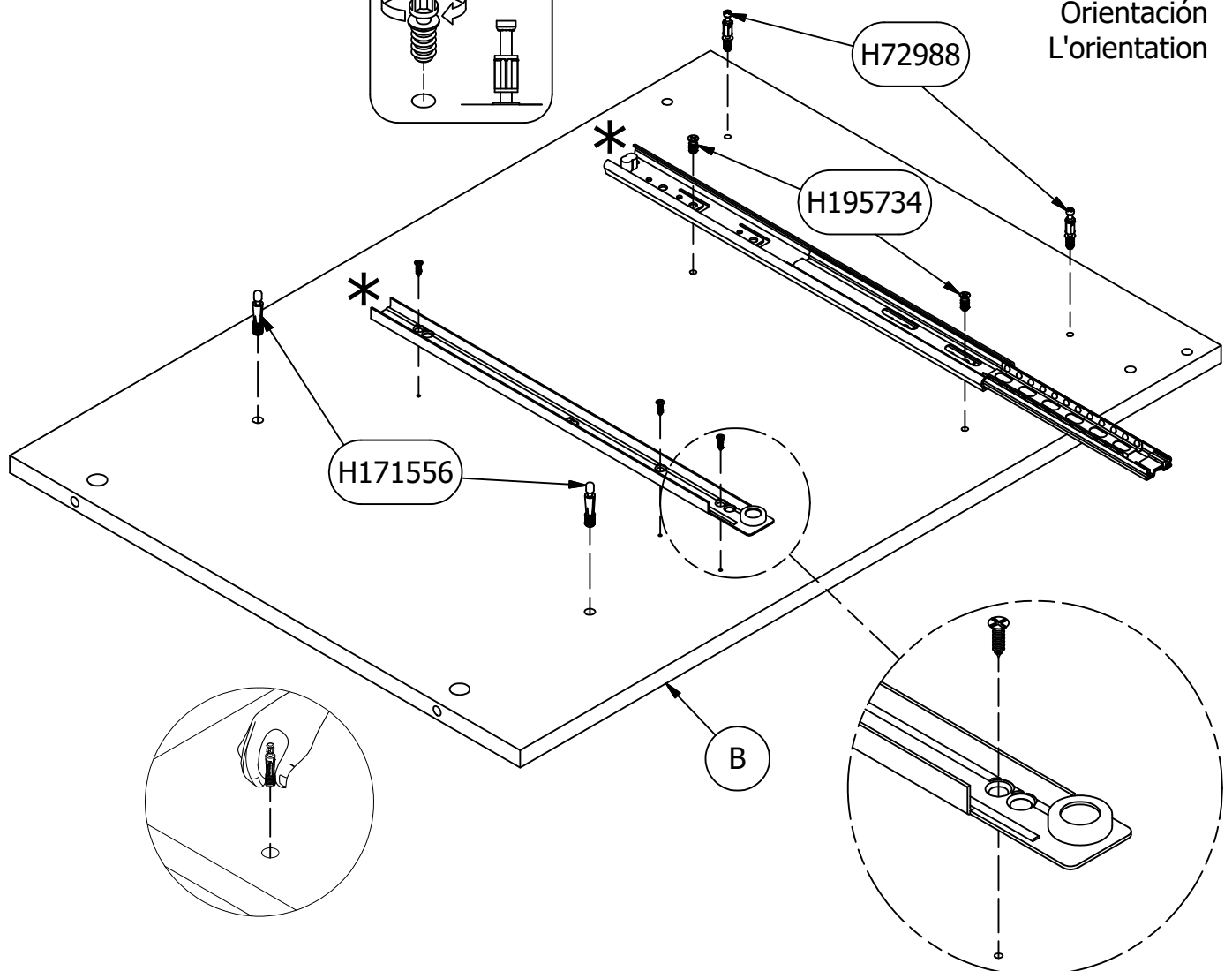
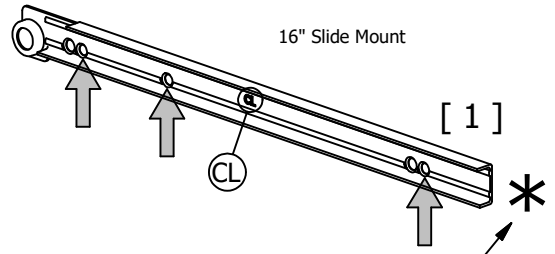
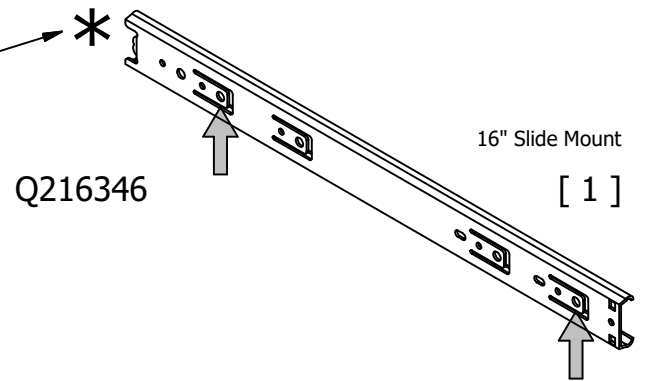
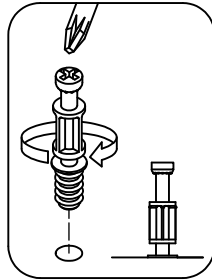
H28917 [ 3 ]  
#6 x 1/2" Silver

Orientation  
Orientación  
L'orientation

H195734 [ 2 ]  
M6.3 X 13MM

H72988 [ 2 ]  
KD Bolt

H171556 [ 2 ]  
Quickfit TL4



Have an assembly question or need a replacement part? Just call **1-800-950-4782**, we are here to help.

# STEP 9

## Prepare Panel

A210577B

Scan QR Code to Watch Video on:



How to Separate and Install Drawer Slides

H195734



[ 2 ]

M6.3 X 13MM

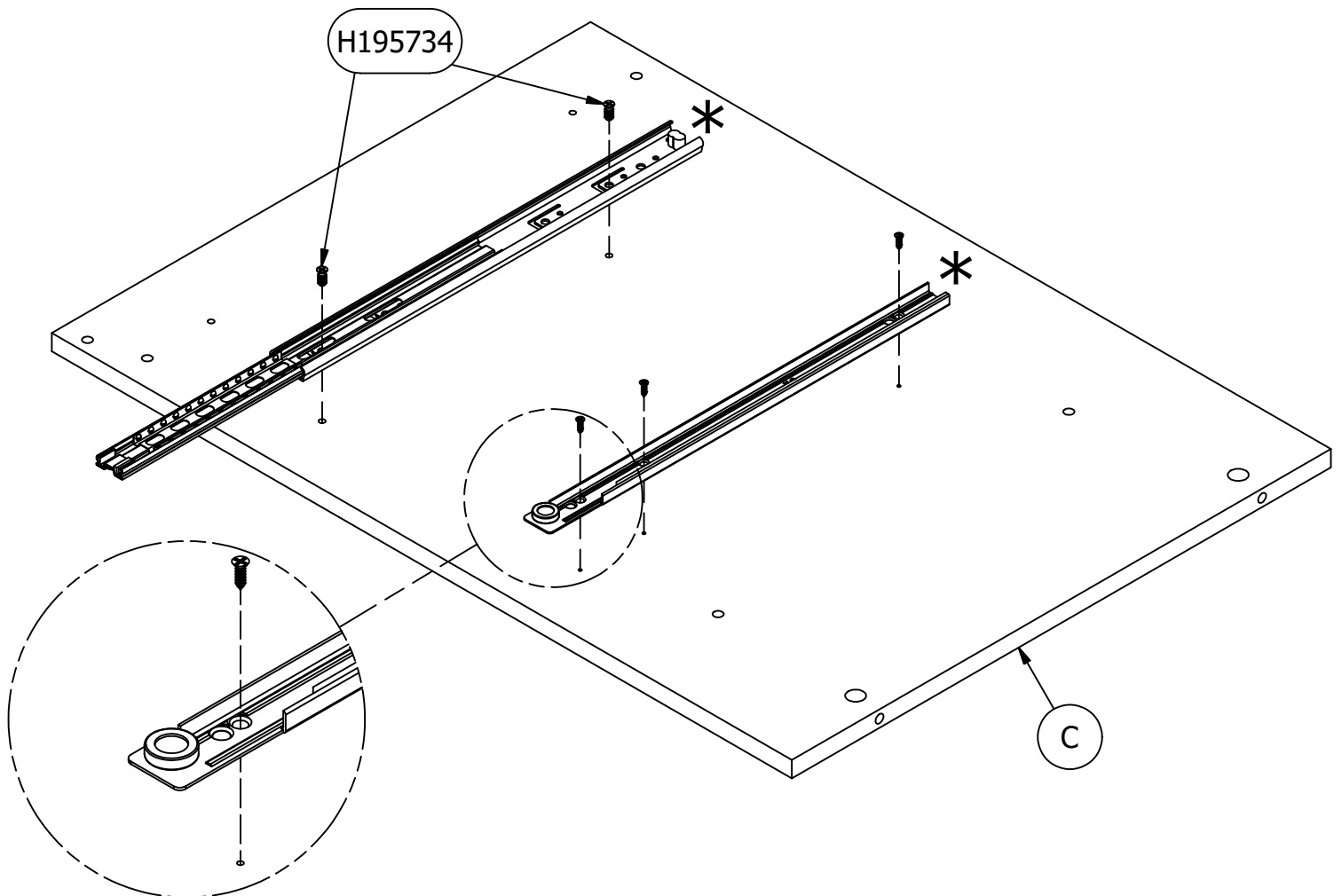
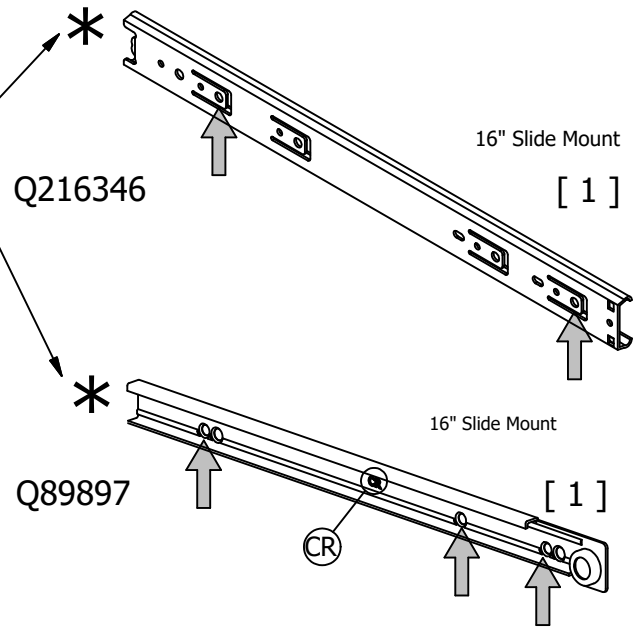
H28917



[ 3 ]

#6 x 1/2" Silver

Orientation  
Orientación  
L'orientation



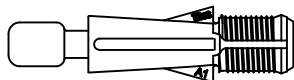
Have an assembly question or need a replacement part? Just call **1-800-950-4782**, we are here to help.

# STEP 10

# Prepare Panel

A210577B

H171556



[ 2 ]

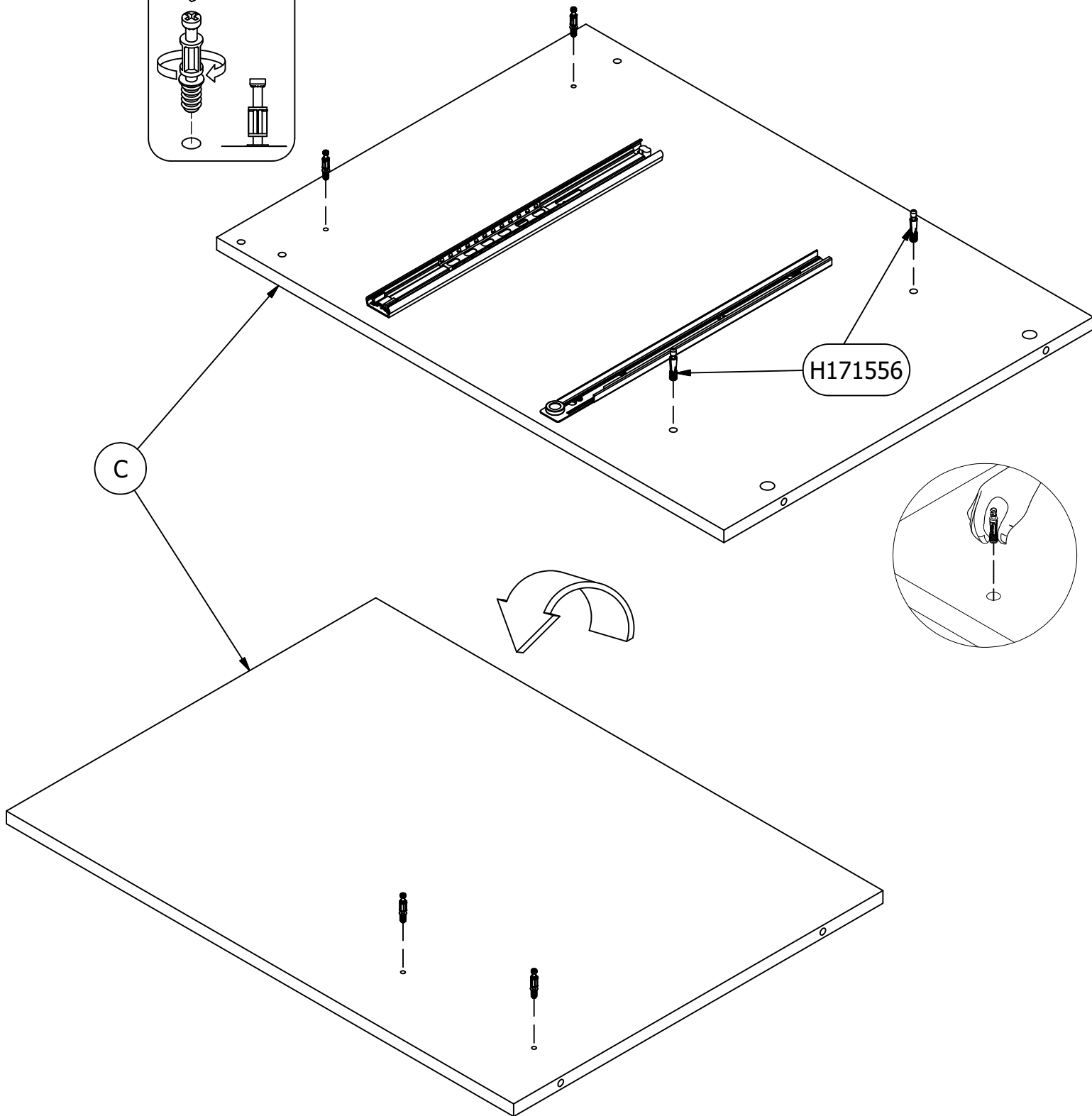
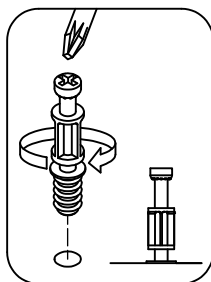
H72988



[ 4 ]

Quickfit TL4

KD Bolt



Have an assembly question or need a replacement part? Just call  
**1-800-950-4782**, we are here to help.

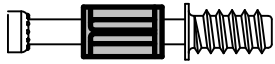


# STEP 11

# Prepare Panels

A210577B

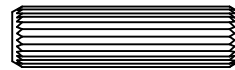
H72988



KD Bolt

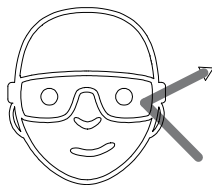
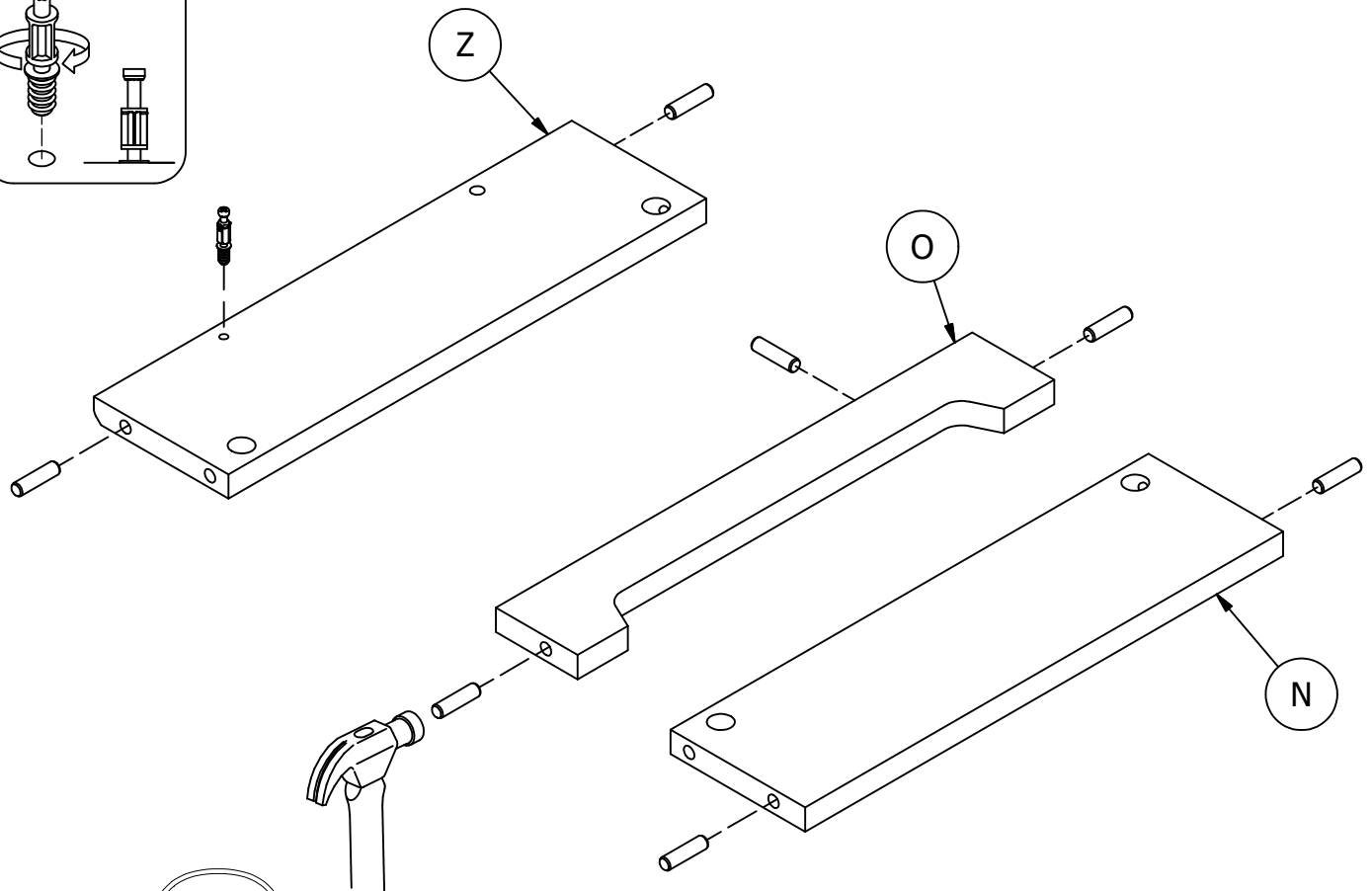
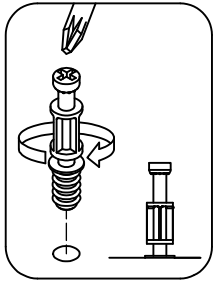
[ 1 ]

H38169



Wood Dowel 8 x 30

[ 7 ]



Safety glasses  
Gafas de seguridad  
Lunettes de protection

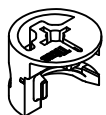
Have an assembly question or need a replacement part? Just call  
**1-800-950-4782**, we are here to help.

Scan QR Code to Watch Video on:



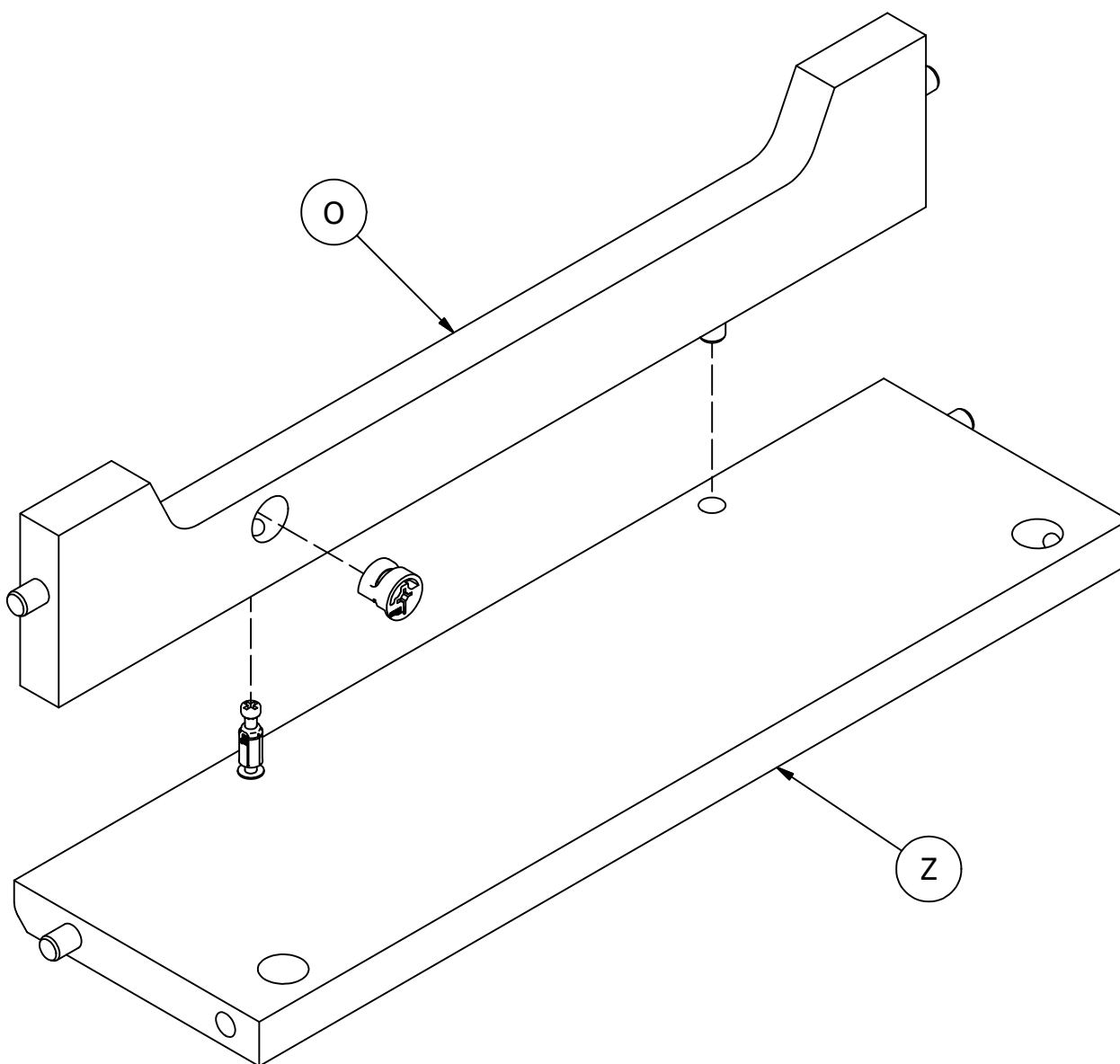
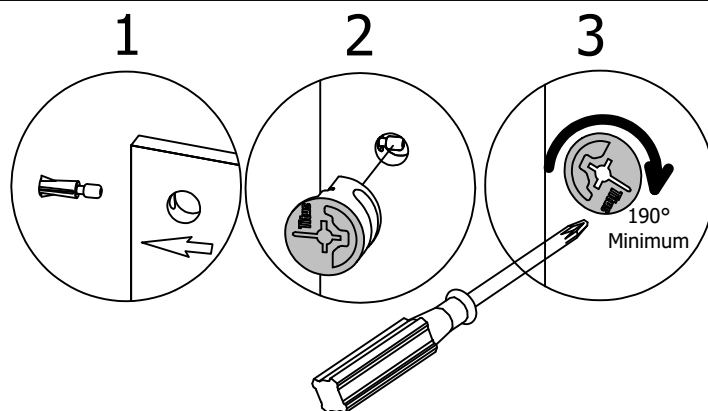
How to Tighten KD Cams

H181468US



KD Cam3000

[ 1 ]



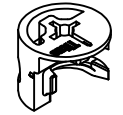
Have an assembly question or need a replacement part? Just call **1-800-950-4782**, we are here to help.

Scan QR Code to Watch Video on:



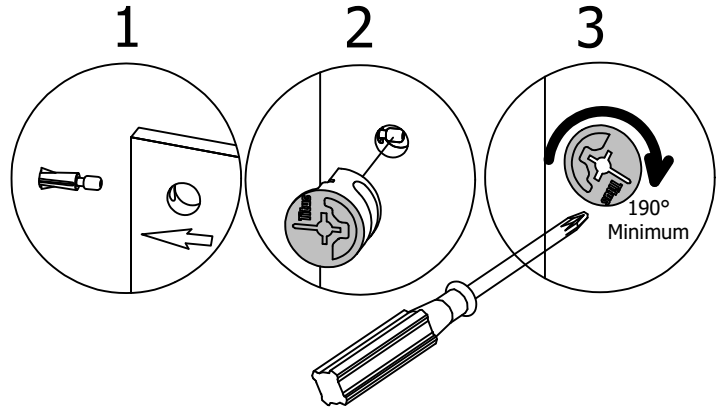
How to Tighten KD Cams

H181468US

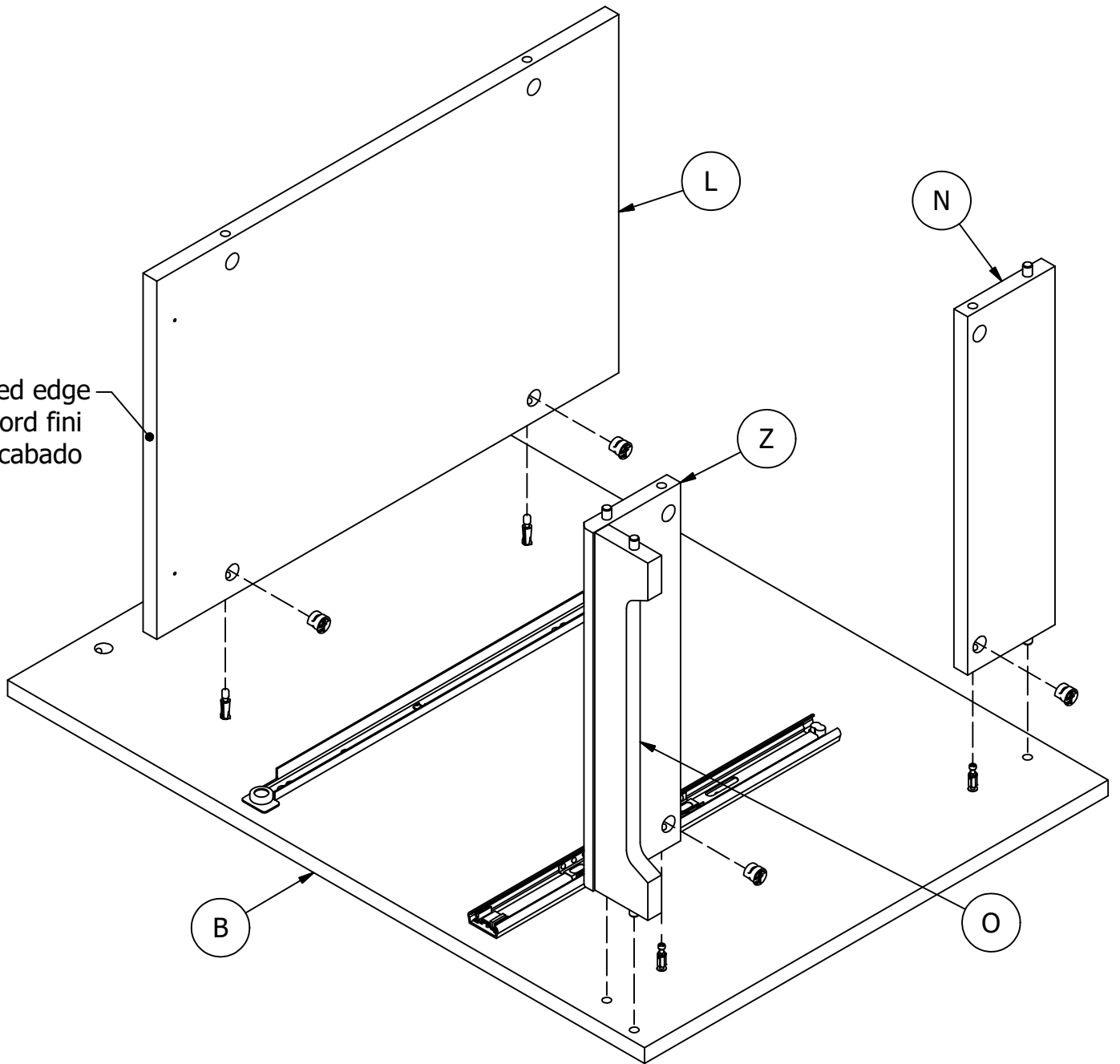


KD Cam3000

[ 4 ]



Finished edge  
Bord fini  
Borde acabado



Have an assembly question or need a replacement part? Just call **1-800-950-4782**, we are here to help.

# STEP 14

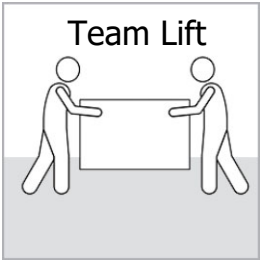
# Assemble Panels

A210577B

Scan QR Code to Watch Video on:



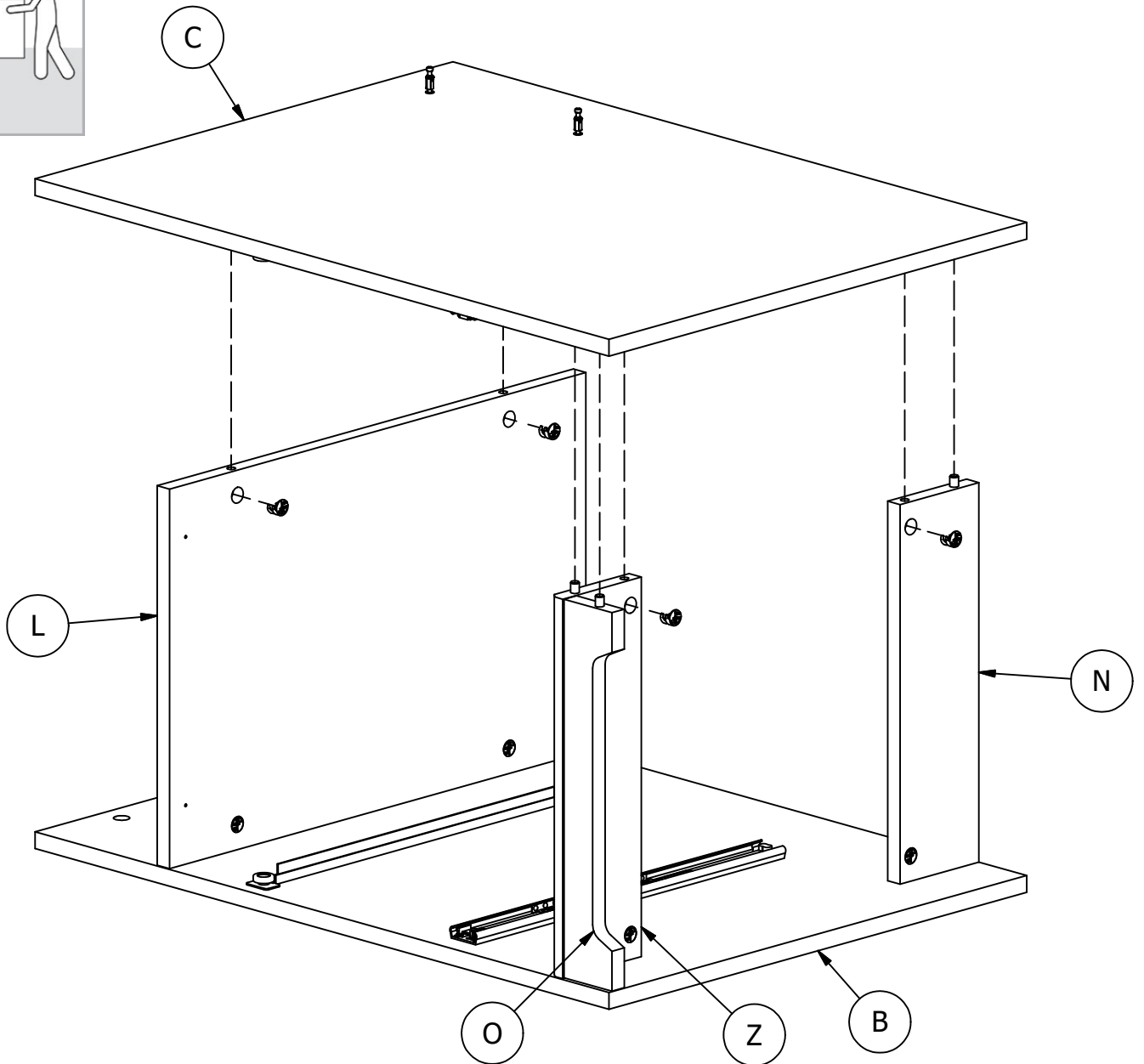
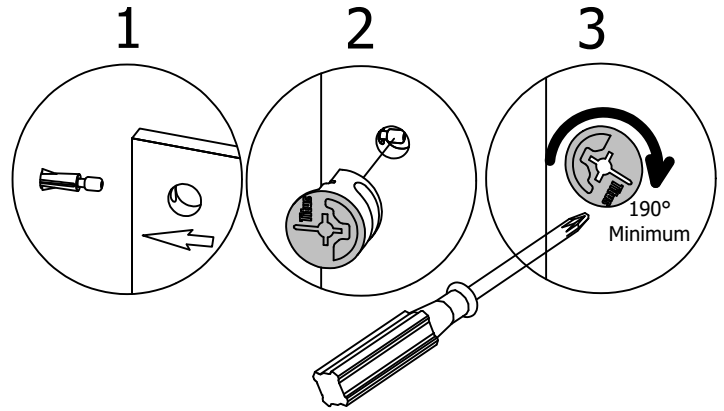
How to Tighten KD Cams



H181468US

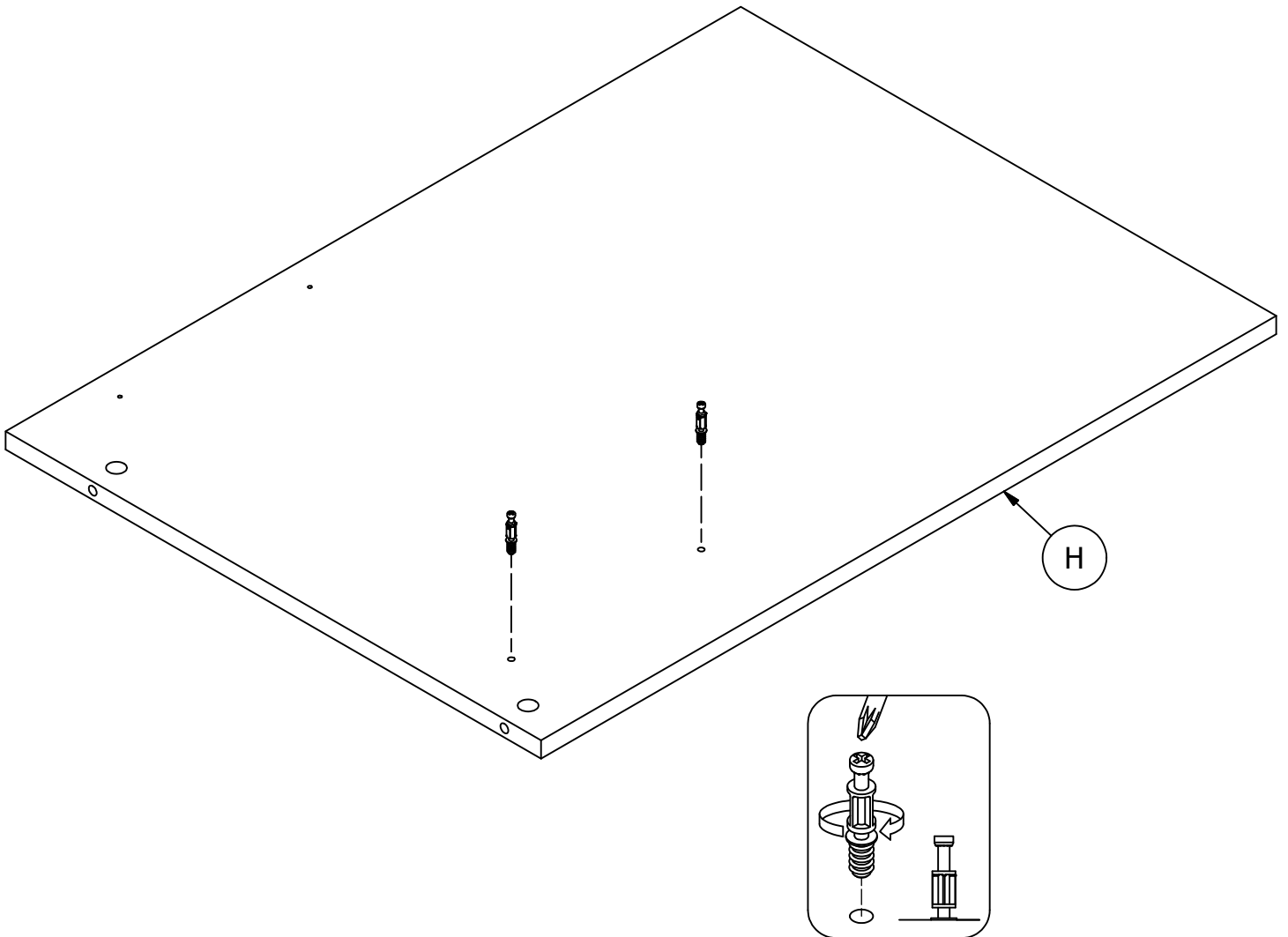


[ 4 ]



Have an assembly question or need a replacement part? Just call **1-800-950-4782**, we are here to help.

H72988 [ 2 ]  
KD Bolt



Have an assembly question or need a replacement part? Just call  
**1-800-950-4782**, we are here to help.

# STEP 16

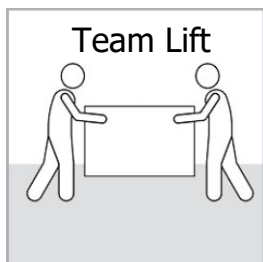
## Assemble Panels

A210577B

Scan QR Code to Watch Video on:



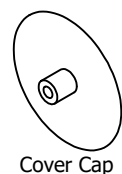
How to Tighten KD Cams



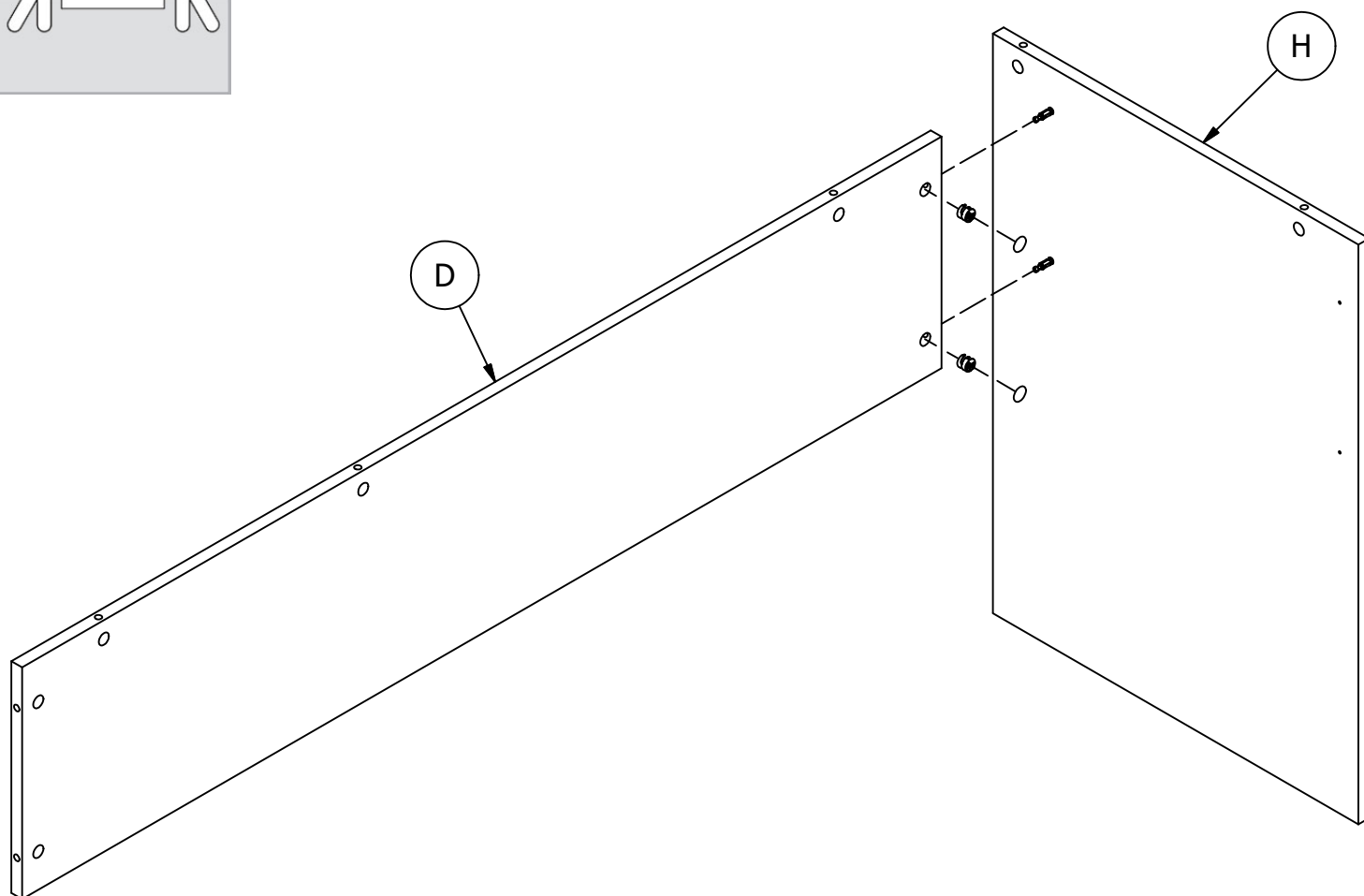
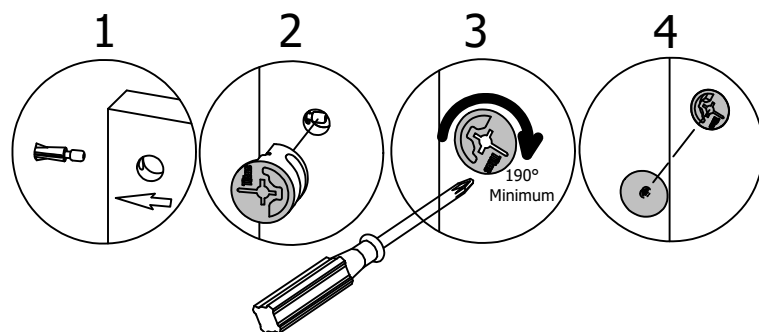
H181468US



[ 2 ]



[ 2 ]



Have an assembly question or need a replacement part? Just call **1-800-950-4782**, we are here to help.

# STEP 17

## Assemble Panels

A210577B

Scan QR Code to Watch Video on:



How to Tighten KD Cams

H181468US



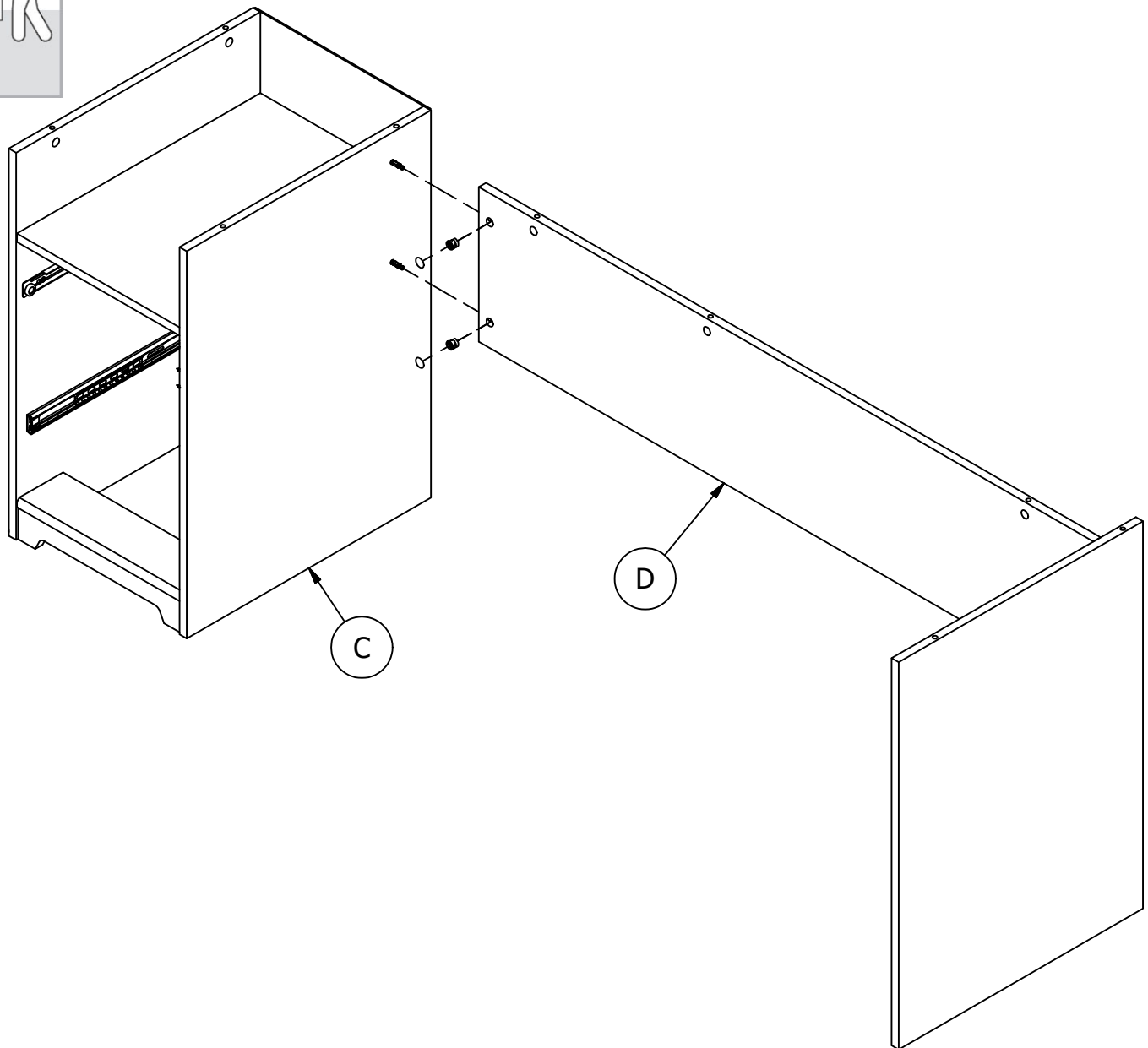
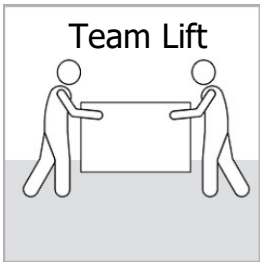
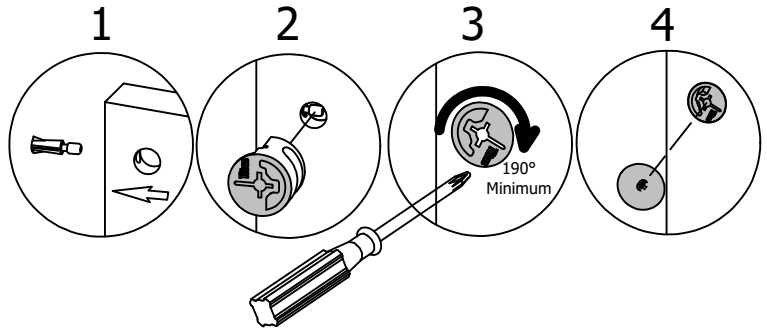
KD Cam3000

[ 2 ]



Cover Cap

[ 2 ]

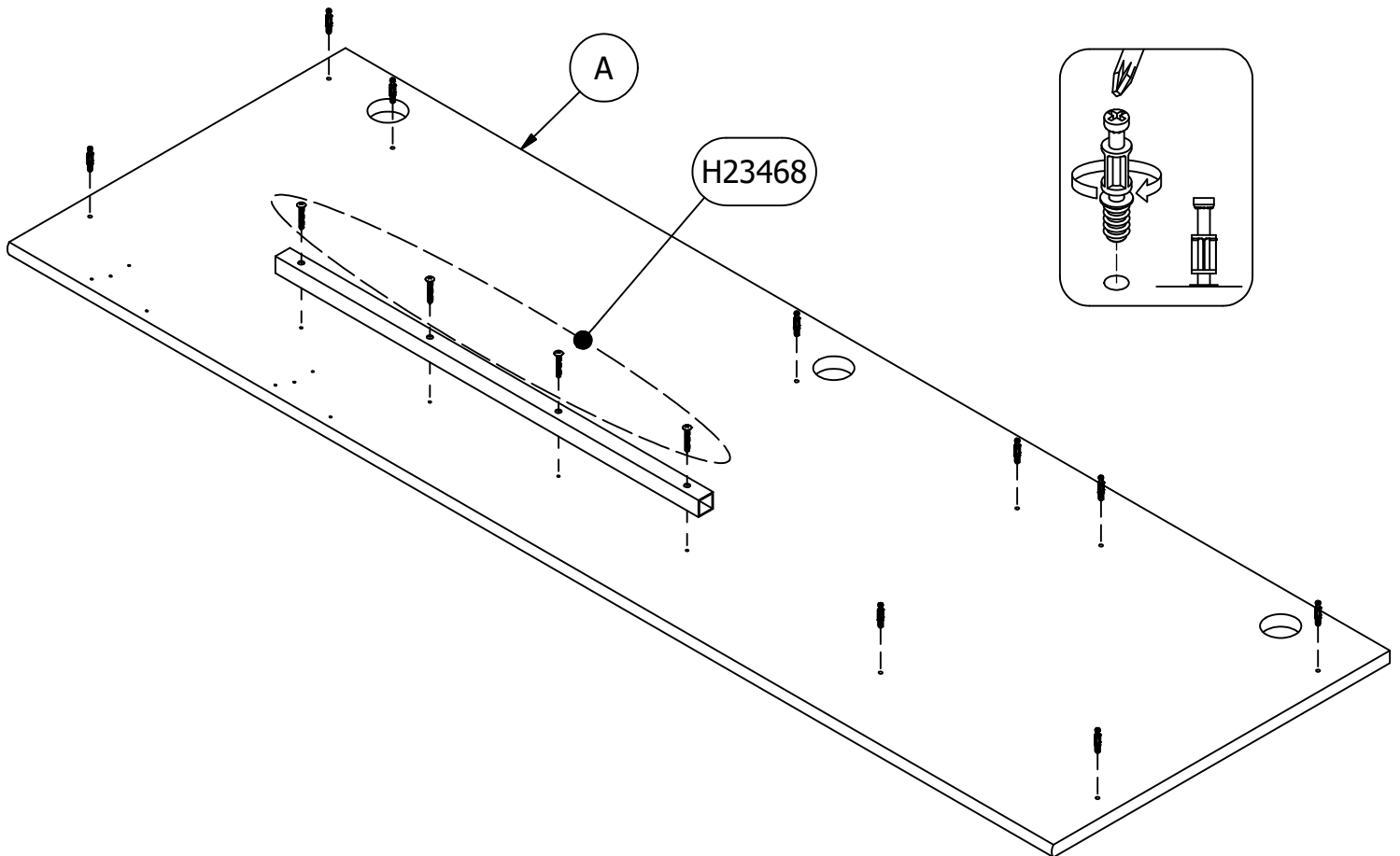
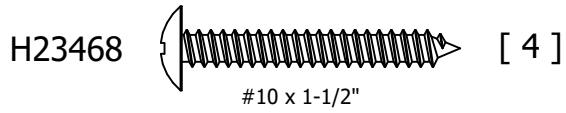
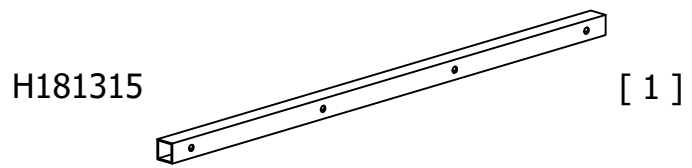
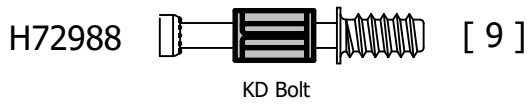


Have an assembly question or need a replacement part? Just call **1-800-950-4782**, we are here to help.

# STEP 18

# Prepare Panel

A210577B



Have an assembly question or need a replacement part? Just call  
**1-800-950-4782**, we are here to help.



# STEP 19

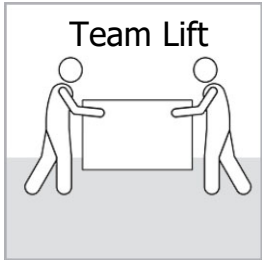
## Assemble Panels

A210577B

Scan QR Code to Watch Video on:



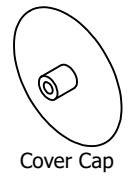
How to Tighten KD Cams



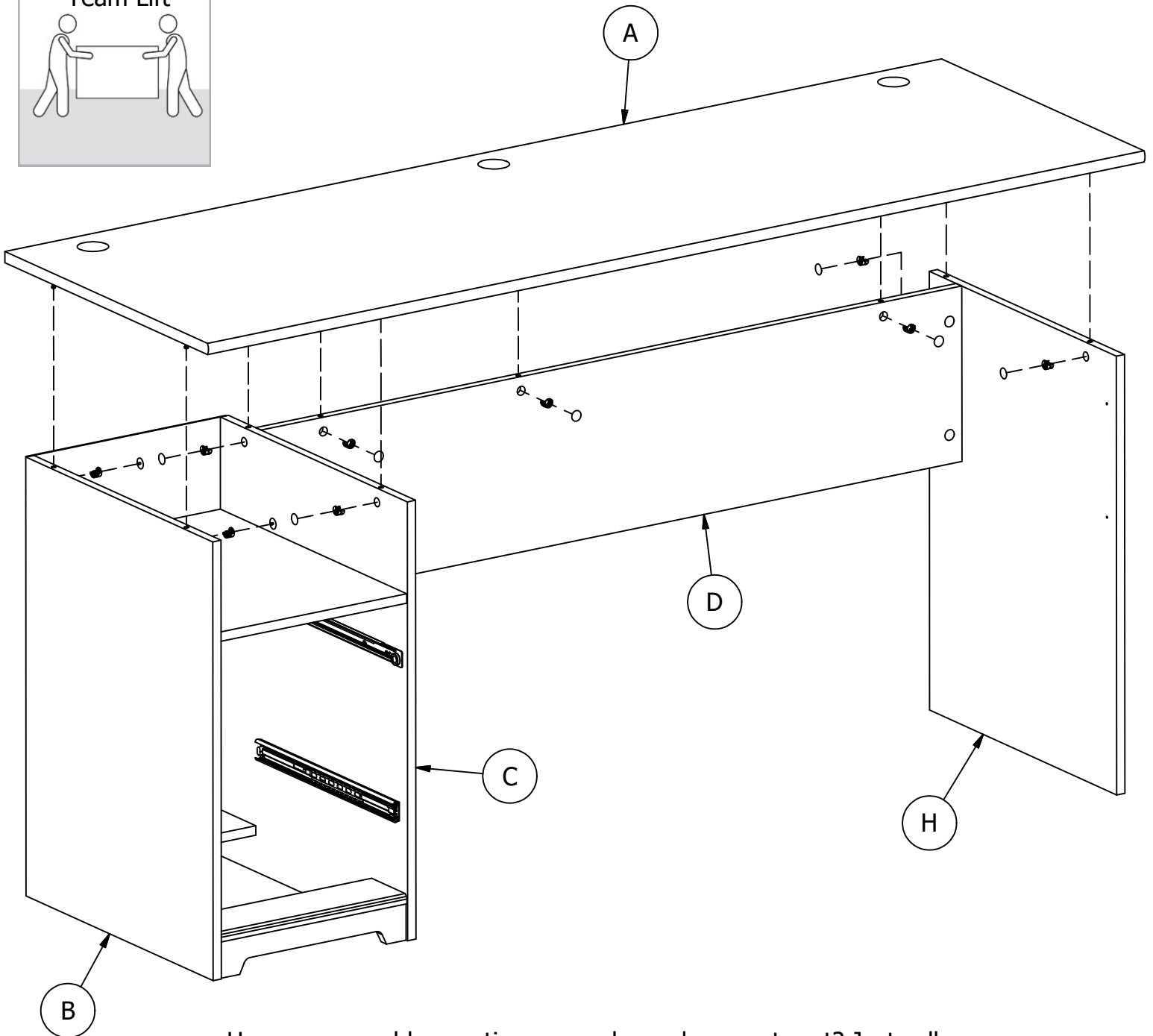
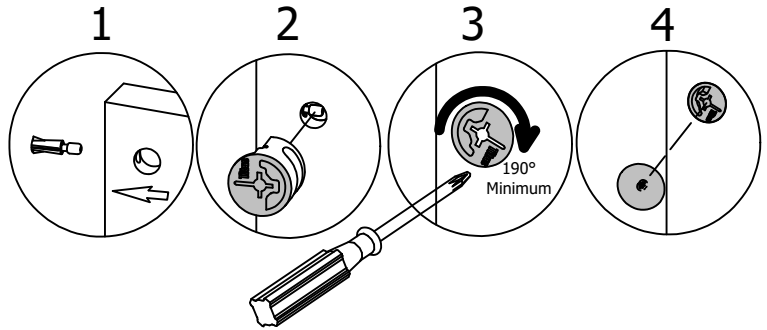
H181468US



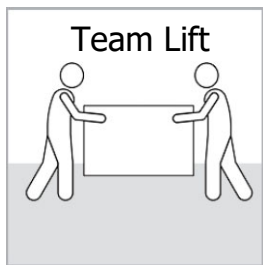
[ 9 ]



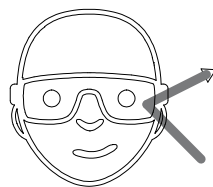
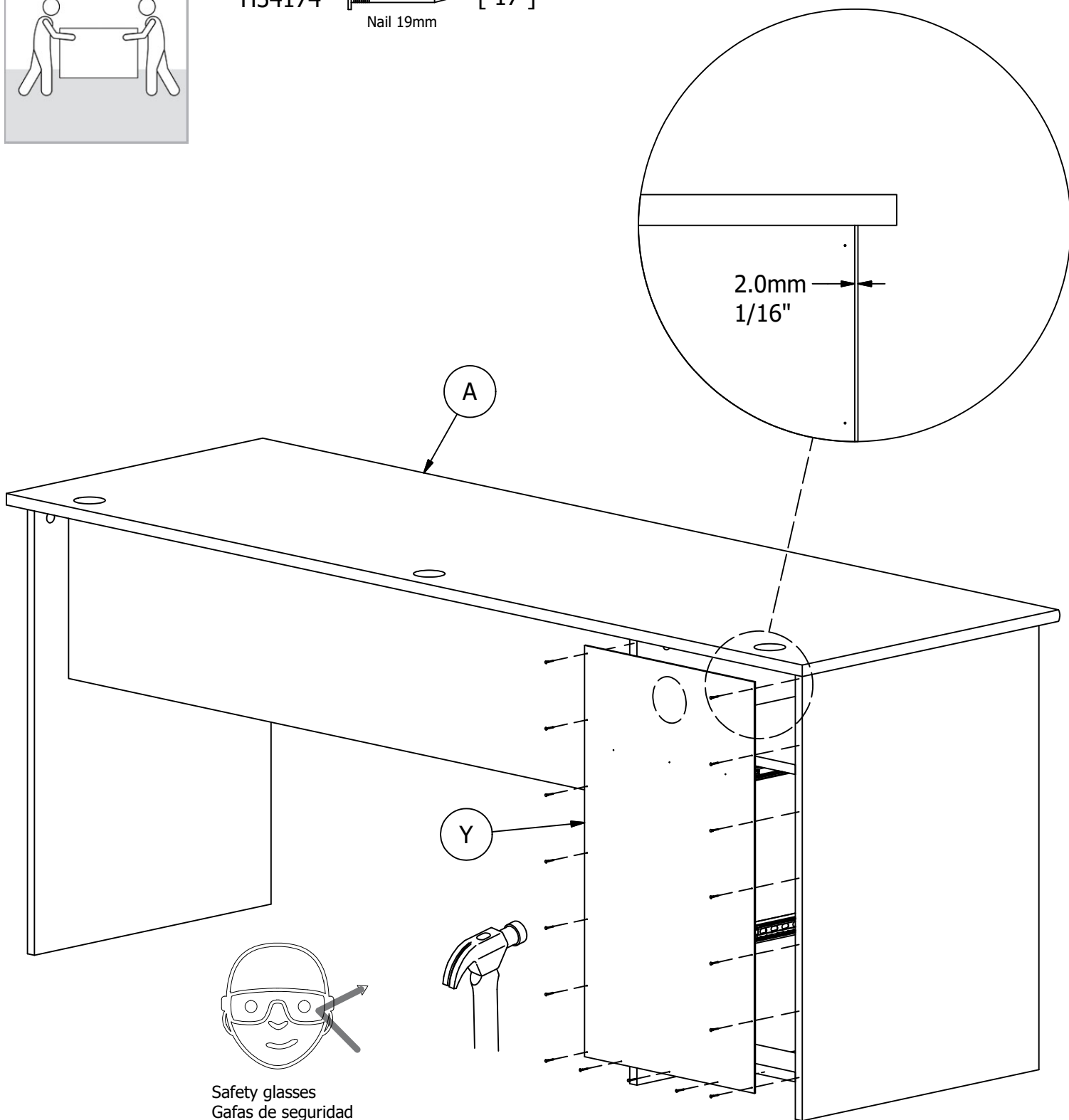
[ 9 ]



Have an assembly question or need a replacement part? Just call **1-800-950-4782**, we are here to help.



H34174 [ 17 ]  
Nail 19mm



Safety glasses  
Gafas de seguridad  
Lunettes de protection



Have an assembly question or need a replacement part? Just call  
**1-800-950-4782**, we are here to help.

# STEP 21

# Install Drawers

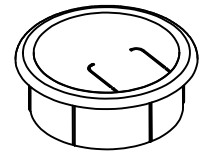
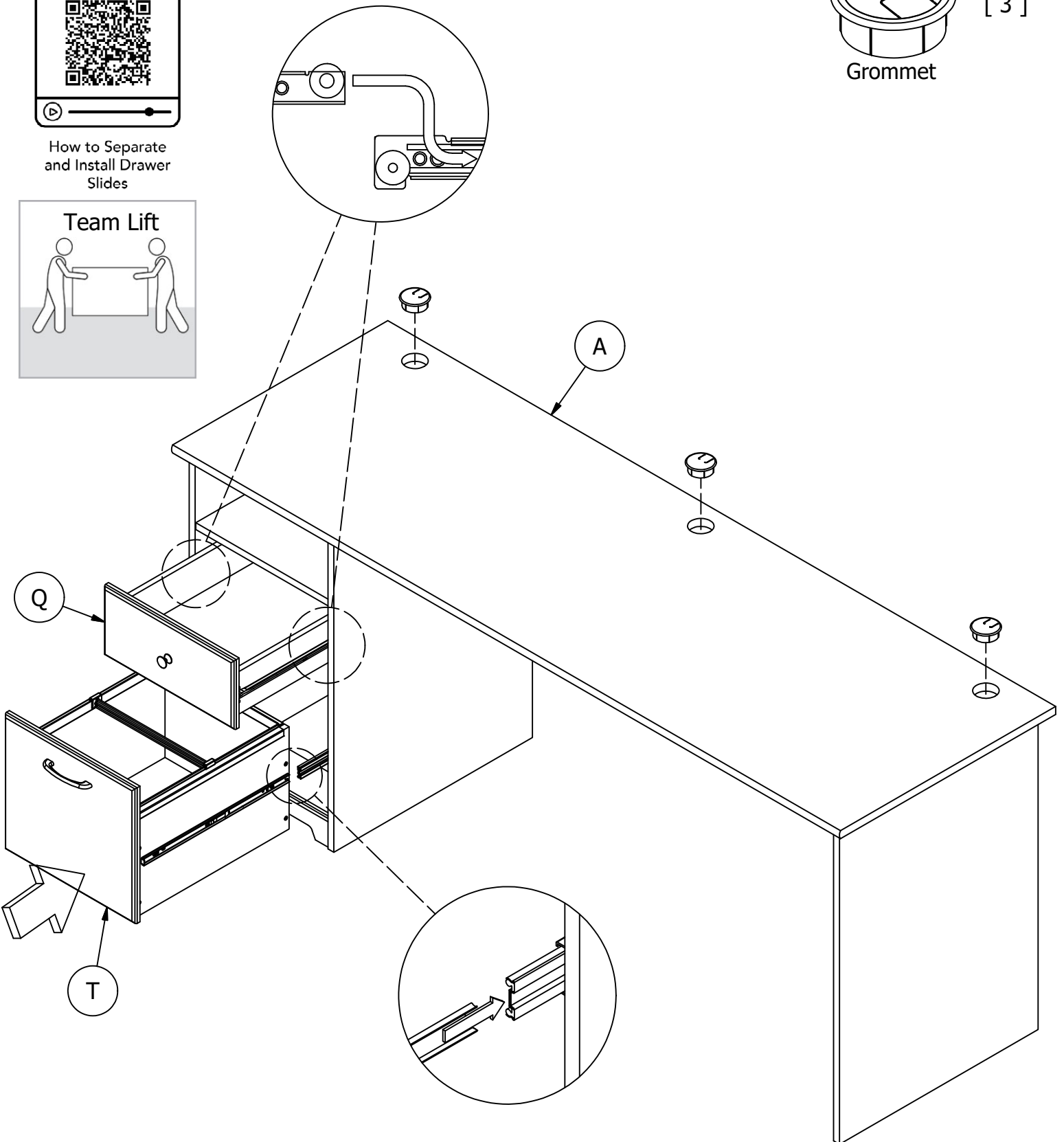
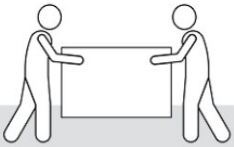
A210577B

Scan QR Code to Watch Video on:



How to Separate and Install Drawer Slides

Team Lift



[ 3 ]

Grommet

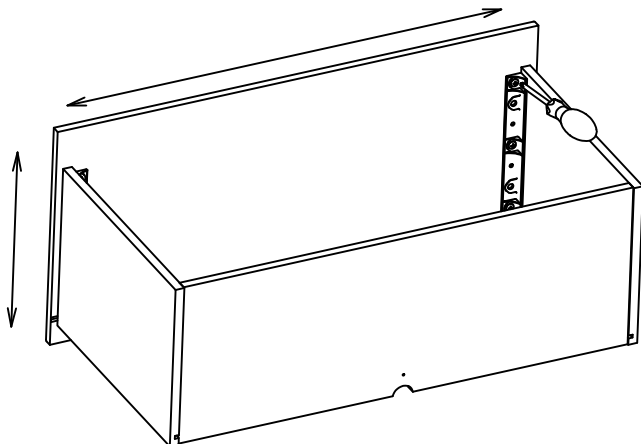
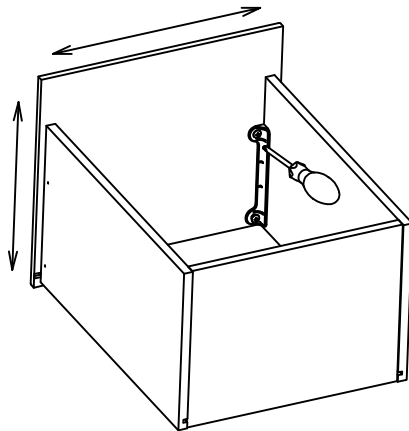
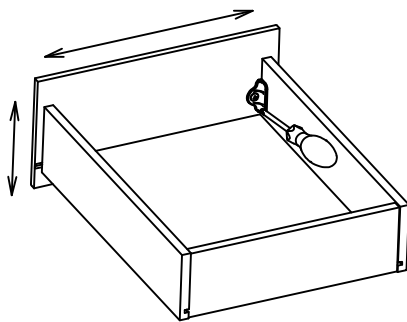
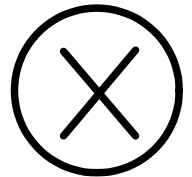
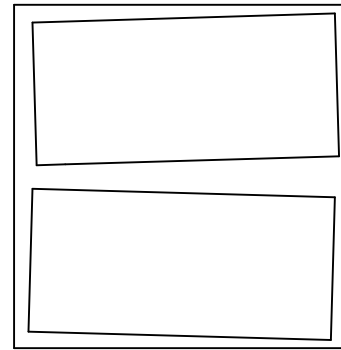
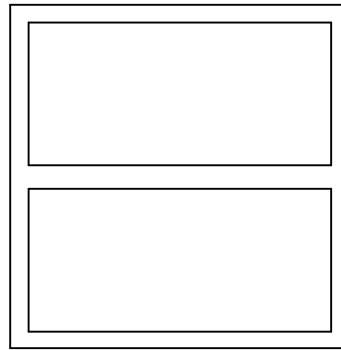
Have an assembly question or need a replacement part? Just call **1-800-950-4782**, we are here to help.

Scan QR Code to Watch Video on:



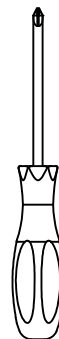
How to Adjust Drawer Fronts

## DRAWER FRONT VIEW



REQUIRED TOOL: PHILLIPS SCREWDRIVER

HERRAMIENTA REQUERIDA: DESTORNILLADOR PHILLIPS  
 OUTIL REQUIS: TOURNEVIS CRUCIFORME



1. LOOSEN SCREWS.
2. ADJUST DRAWER FRONTS.
3. TIGHTEN SCREWS.

1. Afloje los tornillos
2. Ajustar frentes de cajón
3. Apriete los tornillos

1. Desserrer les vis
2. Ajuster les façades des tiroirs
3. Serrer les vis

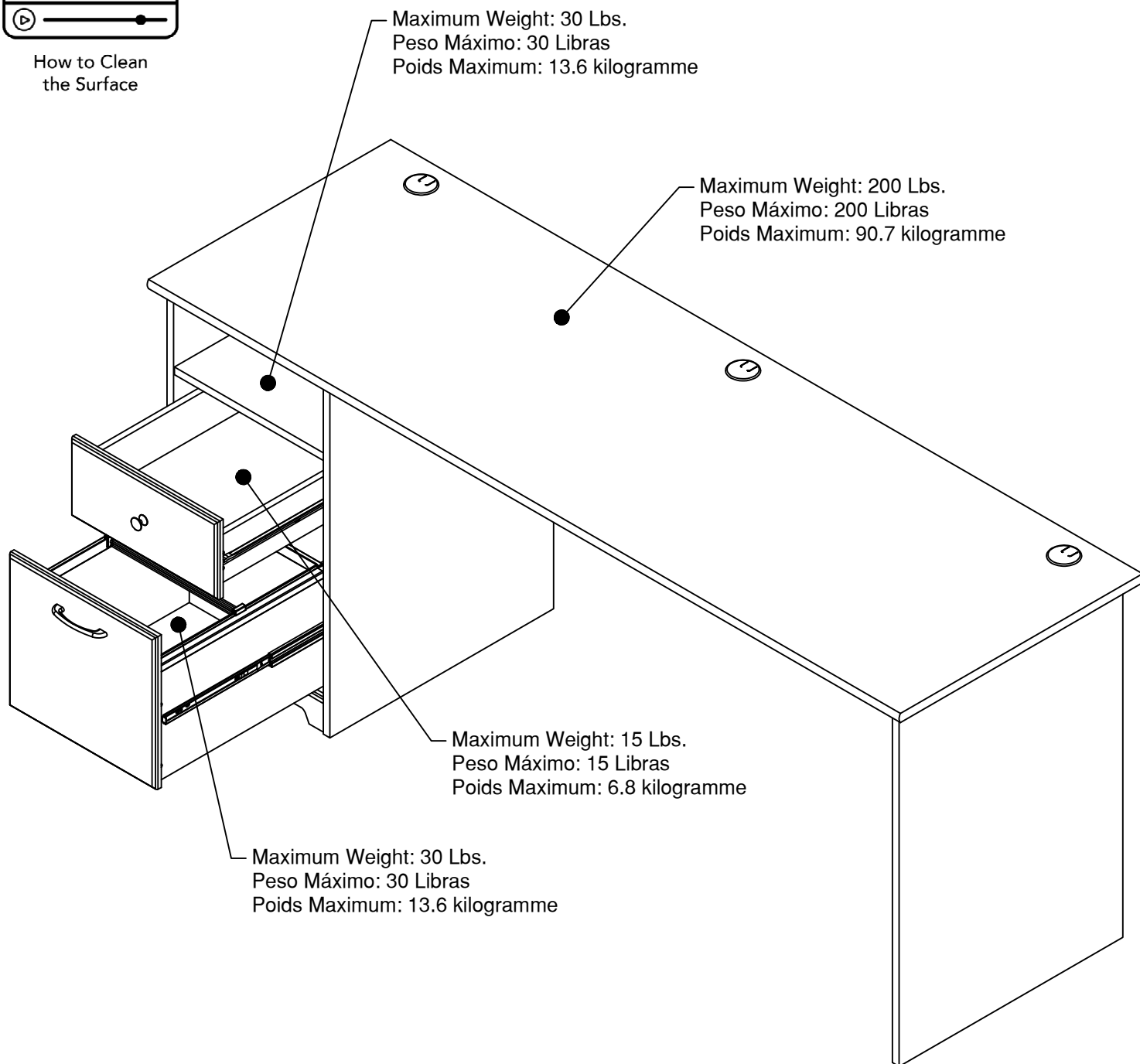
Have an assembly question or need a replacement part? Just call  
**1-800-950-4782**, we are here to help.

Scan QR Code to Watch Video on:



How to Clean the Surface

Gently clean surfaces with a damp sponge eraser.



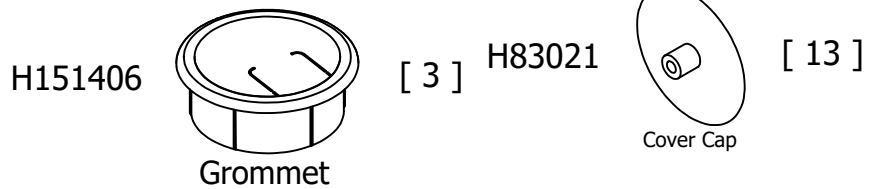
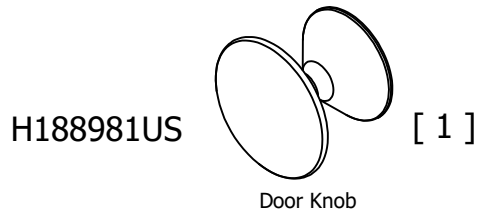
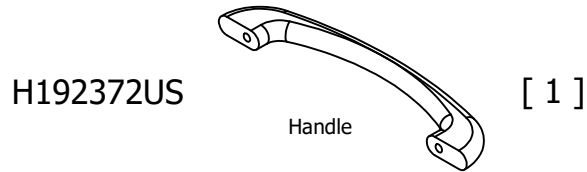
Congratulations! You are all done. If you have any questions or concerns, please call.

Have an assembly question or need a replacement part? Just call **1-800-950-4782**, we are here to help.

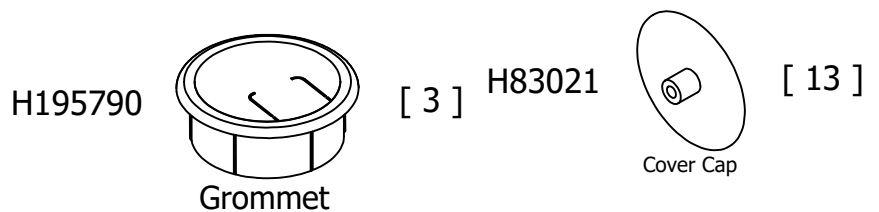
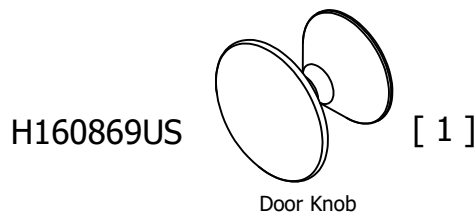
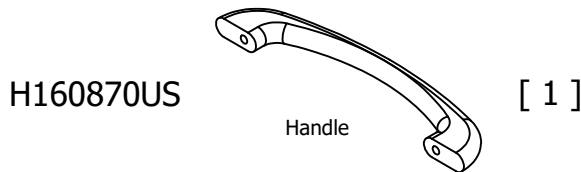
# PARTS LIST

A210577B

W31272		
LABEL	NUMBER	QTY
A	W210558	1
B	W219478	1
C	W219479	1
D	W210559	1
E	W87410	2
F	W215261	2
H	W210533	1
K	W107675	2
L	W210343	1
N	W184754	1
O	W196902	1
Q	W219335	1
S	W128623	1
T	W219336	1
V	W192433	1
Y	W214297	1
Z	W196916	1

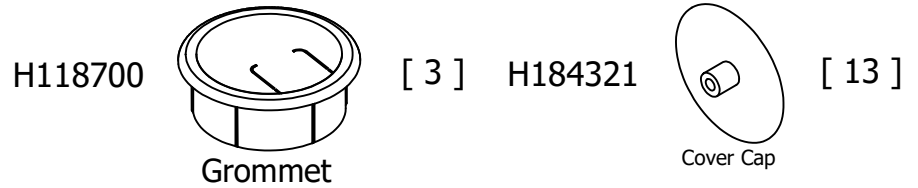
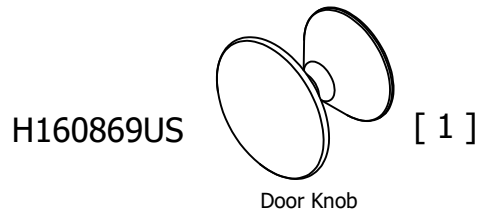
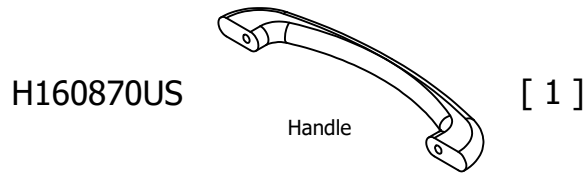


WC31372		
LABEL	NUMBER	QTY
A	W214037	1
B	W219480	1
C	W219481	1
D	W214038	1
E	W87410	2
F	W215261	2
H	W214036	1
K	W107675	2
L	W210385	1
N	W184754	1
O	W210386	1
Q	W219340	1
S	W128623	1
T	W219341	1
V	W192433	1
Y	W214298	1
Z	W213814	1

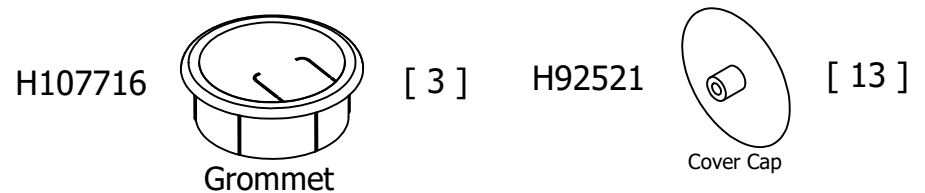
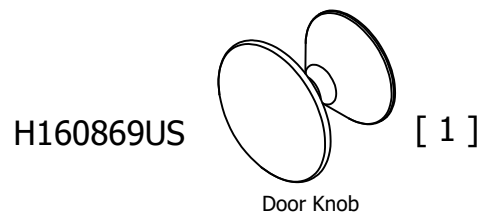
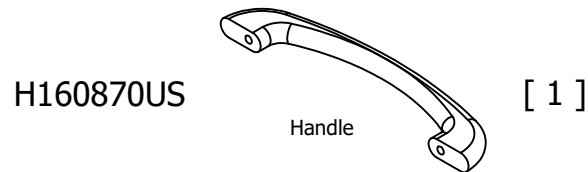


Have an assembly question or need a replacement part? Just call  
**1-800-950-4782**, we are here to help.

WC31472		
LABEL	NUMBER	QTY
A	W210560	1
B	W219482	1
C	W219483	1
D	W210561	1
E	W87410	2
F	W215261	2
H	W210539	1
K	W107675	2
L	W210352	1
N	W184754	1
O	W213067	1
Q	W219345	1
S	W128623	1
T	W219346	1
V	W192433	1
Y	W214299	1
Z	W213088	1



WC31772		
LABEL	NUMBER	QTY
A	W210562	1
B	W219486	1
C	W219487	1
D	W210563	1
E	W87410	2
F	W215261	2
H	W210545	1
K	W107675	2
L	W210359	1
N	W184754	1
O	W193715	1
Q	W219355	1
S	W128623	1
T	W219356	1
V	W192433	1
Y	W214301	1
Z	W184757	1

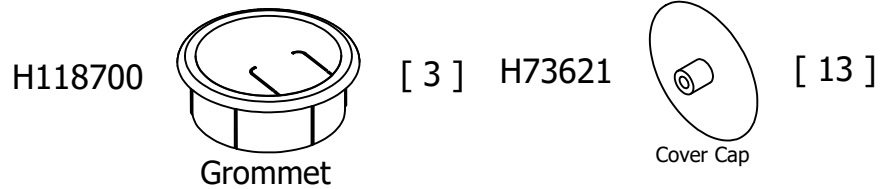
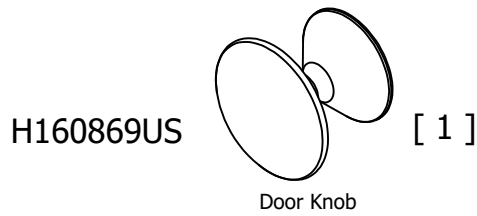
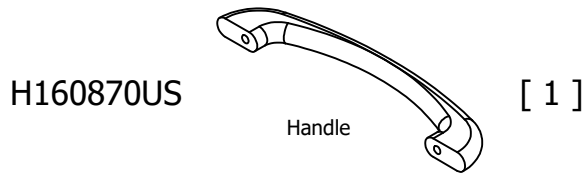


Have an assembly question or need a replacement part? Just call  
**1-800-950-4782**, we are here to help.

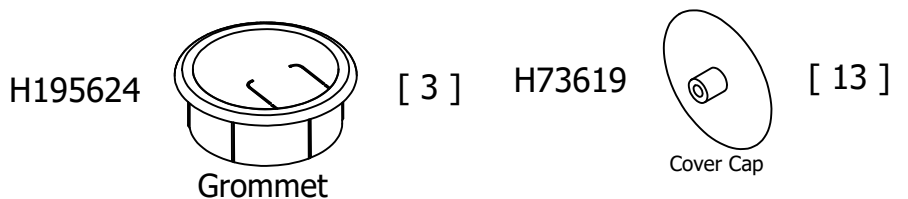
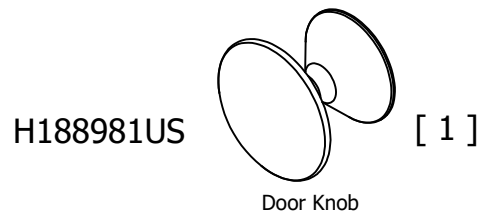
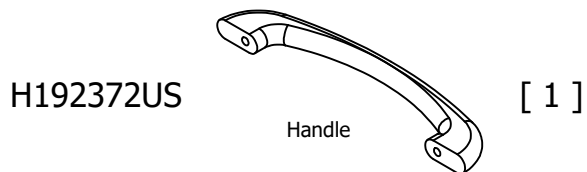
# PARTS LIST

A210577B

WC31872		
LABEL	NUMBER	QTY
A	W210564	1
B	W219488	1
C	W219489	1
D	W210565	1
E	W87410	2
F	W215261	2
H	W210551	1
K	W107675	2
L	W210368	1
N	W184754	1
O	W210184	1
Q	W219360	1
S	W128623	1
T	W219361	1
V	W192433	1
Y	W214302	1
Z	W210192	1



WC31972		
LABEL	NUMBER	QTY
A	W210566	1
B	W219490	1
C	W219491	1
D	W210567	1
E	W87410	2
F	W215261	2
H	W210557	1
K	W107675	2
L	W210375	1
N	W184754	1
O	W193717	1
Q	W219365	1
S	W128623	1
T	W219366	1
V	W192433	1
Y	W214303	1
Z	W192161	1



Have an assembly question or need a replacement part? Just call  
**1-800-950-4782**, we are here to help.