

SINCE 1839

BRINLY

SINCE 1839

BRINLY

OWNER'S MANUAL

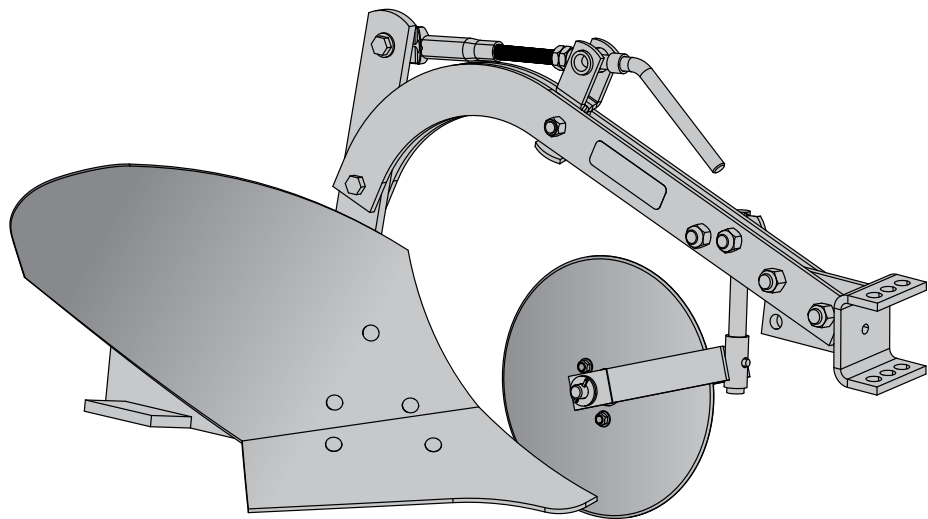
MOLDBOARD PLOW, 10-Inch

MODEL:

PP-510

PP-510-A

- Assembly
- Installation
- Operation
- Repair Parts



This implement is designed for use with garden tractors equipped with a sleeve hitch.

Tire chains and wheel weights are recommended.



Call Customer Service, Toll-Free: 877-728-8224

Visit us on the web!
www.brinly.com

Important: This manual contains information for the safety of persons and property. Read it carefully before assembly and operation of the equipment!

INTRODUCTION AND SAFETY

CONGRATULATIONS on your new Brinly-Hardy purchase! This accessory has been designed, engineered and manufactured to give you the best possible dependability and performance.

Should you experience any problem you cannot easily remedy, please do not hesitate to contact our knowledgeable customer service department toll-free at 1-877-728-8224. We have competent, well trained technicians to help you with the assembly and use of your product.



CUSTOMER RESPONSIBILITIES

- Please read & retain this manual. The instructions will enable to assemble and maintain your product properly.
- Please carefully read and observe the SAFETY SECTION of this manual.
- Follow a regular schedule in maintaining and caring for your Brinly-Hardy product.

TABLE OF CONTENTS

INTRO, REQUIRED TOOLS, AND SAFETY	2 - 3
PARTS	4 - 7
ASSEMBLY	8 - 12
USE AND CARE	
Specifications	13
Pre-Adjustment	13 - 14
Tips & Adjustments	15 - 16
Maintenance	17
Troubleshooting	17
WARRANTY	18

RECORD PURCHASE INFORMATION

Record your purchase information in the spaces provided below:

DATE OF PURCHASE _____

COMPANY NAME _____

COMPANY PHONE _____

SERIAL NUMBER _____

TOOLS REQUIRED FOR ASSEMBLY:



- 10" Adjustable Wrench (x1)
- 15/16" Wrench (x1)
- 13/16" Wrench (x1)
- 3/4" Wrench (x1)
- 1/2" Wrench (x1)
- 9/16" Wrench (x1)
- Pliers
- Gloves

SAFETY LABELS



This symbol will help to point out important safety precautions throughout this manual. It means: **ATTENTION! BECOME ALERT! YOUR SAFETY IS INVOLVED.**

Safety labels are placed in important areas on your product to draw attention to potential safety hazards.

On your product safety labels, the words DANGER, WARNING and CAUTION are used with the safety-alert symbol. DANGER identifies the most serious hazards.

The operator's manual also explains any potential safety hazards whenever necessary in special safety messages that are identified with the word, CAUTION, and the safety-alert symbol.

SAFETY



Know your towing vehicle controls and how to stop safely.

READ YOUR TOWING VEHICLE OWNER'S MANUAL BEFORE OPERATING.

GENERAL SAFETY NOTES

- Do not allow children to operate the vehicle, do not allow adults to operate without proper instruction and without having read the owner's manual.
- Do not carry passengers. Keep children and pets a safe distance away.
- Always wear substantial footwear. Do not wear loose fitting clothing that can get caught in moving parts.
- Keep your eyes and mind on your tractor / attachment and area being covered. Don't let other interests distract you.
- Stay alert for holes in the terrain and other hidden hazards.
- Keep the vehicle and attachments in good operating condition and keep safety devices in place.
- Keep all nuts, bolts and screws tight to be sure the equipment is in safe working condition.
- The vehicle and attachment should be stopped and inspected for damage after striking a foreign object. The damage should be repaired before restarting and operating the equipment.
- Do not drive close to creeks, ditches and public highways.
- Watch out for traffic when crossing or near roadways.
- When using any attachment, do not allow anyone near the vehicle while in operation.

- **WARNING - USE CAUTION:** The plow share and coulter blade edges are sharp!
- **WARNING - AVOID DAMAGE:** Always LIFT the plow before turning.
- **WARNING** - Lock tractor lift handle down when installing or removing plow.



KEEP RIDERS OFF THE TOWED ATTACHMENT AND TOWING VEHICLE

- Do not carry passengers.
- Do not let anyone, especially children, ride in/on this attachment, the towing vehicle or hitch bracket.
- Riders are subject to injury such as being struck by foreign object and/or being thrown off during sudden starts, stops and turns.
- Riders may also obstruct the operator's view resulting in this attachment being operated in an unsafe manner.

TOWING VEHICLE AND TOWING SAFELY

- Check the towing vehicle brake action before you operate. Adjust or service brakes as necessary.
- Stopping distance increases with speed and weight of towed load. Travel slowly and allow extra time and distance to stop.
- Use only approved hitches. Tow this attachment only with a towing vehicle that has a hitch designed for towing. Do not connect this attachment except at the approved hitch point.
- Follow the tow vehicle manufacturer's recommendations for weight limits for towed equipment and towing on slopes. Use counterweights or wheel weights as described in the towing vehicle operator's manual.
- Do not shift to neutral and coast downhill.
- Do not allow children to operate the towing vehicle. Do not allow adults to operate the towing vehicle without proper instruction or without having read the owner's manual.

PROTECT THOSE AROUND YOU

- Before you operate any feature of this attachment or towing vehicle, observe your surroundings and look for bystanders.
- Keep children, bystanders and pets at a safe distance away while operating this or any attachment.
- Use care when reversing. Before you back up, look carefully behind for bystanders.

**Installation Questions?
Missing Parts?
Need Replacement Parts?**



**DON'T GO BACK
TO THE STORE!**

Please contact our Customer Service Department, Toll Free: 877-728-8224 or customerservice@brinly.com

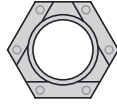
HARDWARE IDENTIFIER

Illustrations on this page are to scale for faster identification of hardware during assembly.

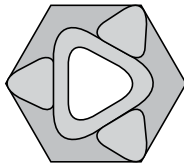
DO NOT RETURN PRODUCT IF YOU ARE MISSING PARTS.
Please Call: 1 (877) 728-8224

Contents of this page can be found in: **Hardware Bag Z-1216-A**

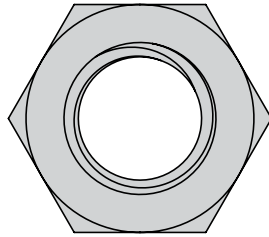
1 Nut: Hex
Locking, 5/16" -18
(x3)
B-1674P



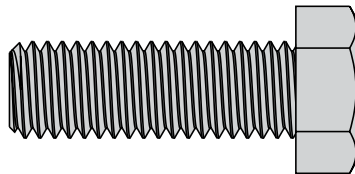
3 Nut: Hex
Locking, 5/8"
(x2)
B-1678P



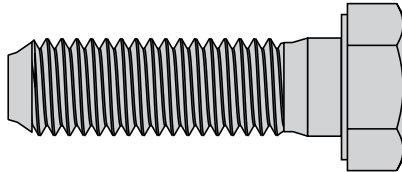
39 Nut: Hex
5/8" (x2)
30M2000P



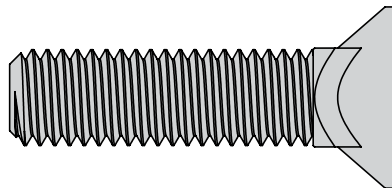
28 Bolt:
Hex Head
1/2 x 1-1/2"
(x2)
1M1624P



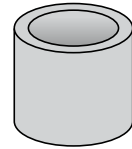
29 Bolt:
Hex Head
1/2 x 1-3/4"
(x2)
1M1628P



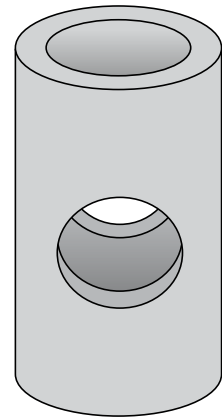
35 Bolt: Plow
1/2 x 2"
(x1)
15M1632P



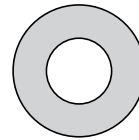
26 Spacer
5/8" ID x 1/2"
(x2)
P-597



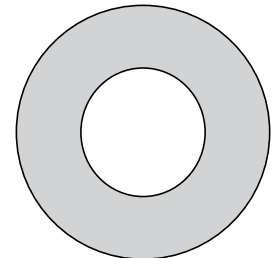
27 Trunnion
(x1)
P-598-01



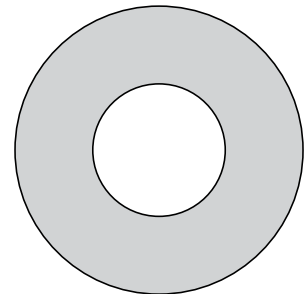
42 Washer;
Flat, 5/16"
(x3)
45M1111P



44 Washer;
Flat, 1/2"
(x1)
45M1717P



45 Washer;
Flat, 5/8"
(x2)
45M2121P

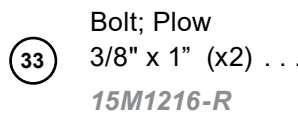
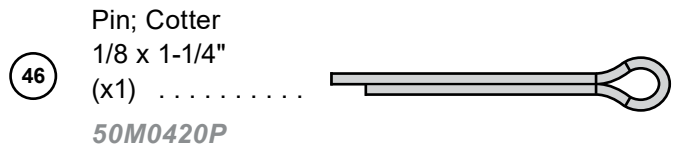
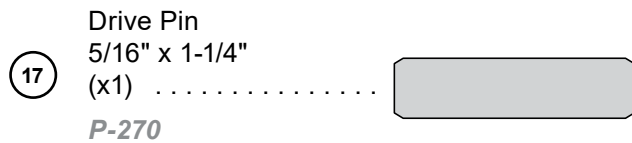
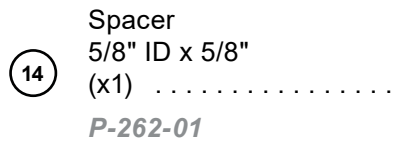
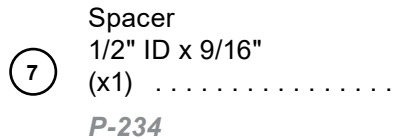
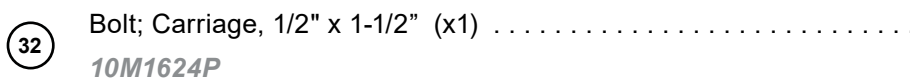
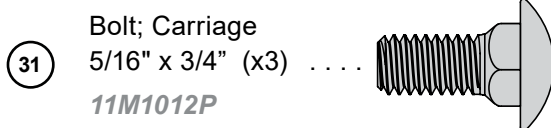
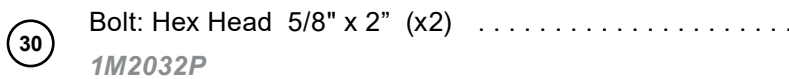
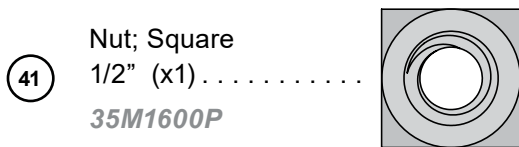
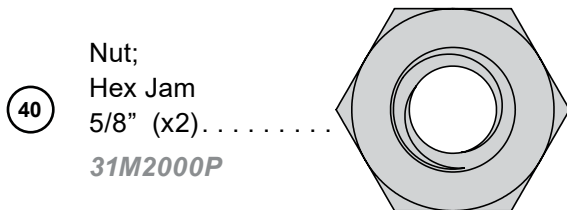
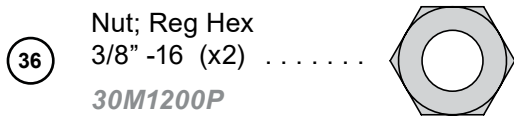
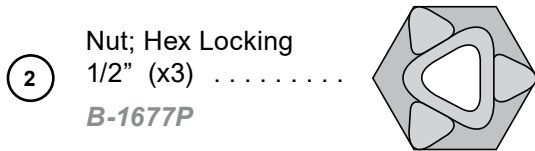


HARDWARE IDENTIFIER

Illustrations on this page are to scale for faster identification of hardware during assembly.

DO NOT RETURN PRODUCT IF YOU ARE MISSING PARTS.
Please Call: 1 (877) 728-8224

Contents of this page can be found in: **Hardware Bag Z-1216-B**



HARDWARE IDENTIFIER

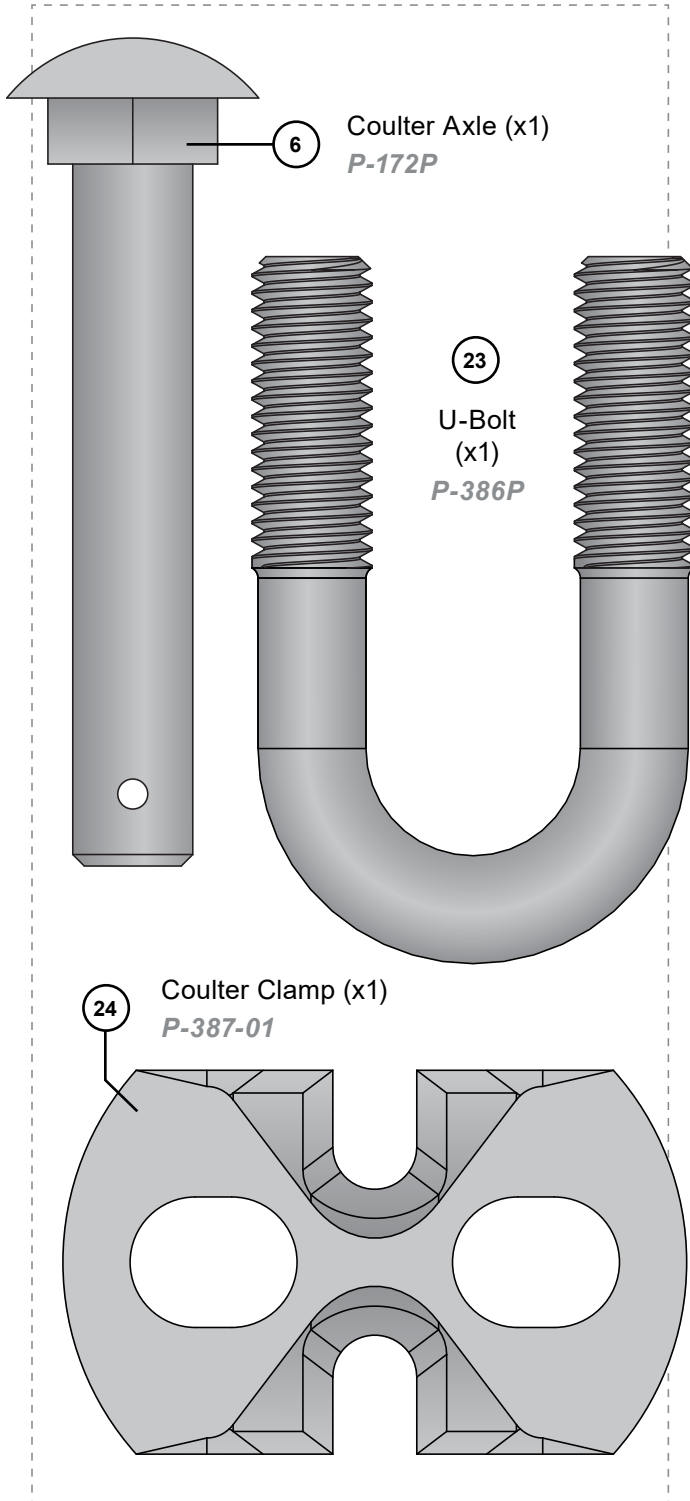
Illustrations on this page are to scale for faster identification of hardware during assembly.

DO NOT RETURN PRODUCT IF YOU ARE MISSING PARTS.
Please Call: 1 (877) 728-8224

Hardware Bag Z-1216-A

Ref #	Part #	Description	Qty
1	B-1674P	Nut; Lock, 5/16"-18	3
3	B-1678P	Nut; Lock, 5/8"-11	2
26	P-597-01	Spacer; Coultter, 5/8" ID x 1/2"	2
27	P-598-01	Trunnion; Plated	1
28	1M1624P	Bolt; Hex Head, 1/2" x 1-1/2"	2
29	1M1628P	Bolt; Hex Head, 1/2" x 1-3/4"	2
35	15M1632P	Bolt; Plow, 1/2-13 x 2"	1
39	30M2000P	Nut; Hex, 5/8"-11	2
42	45M1111P	Washer; Flat, 5/16"	3
44	45M1717P	Washer; Flat, 1/2"	1
45	45M2121P	Washer; Flat, 5/8"	2

Hardware Bag Z-1216-C



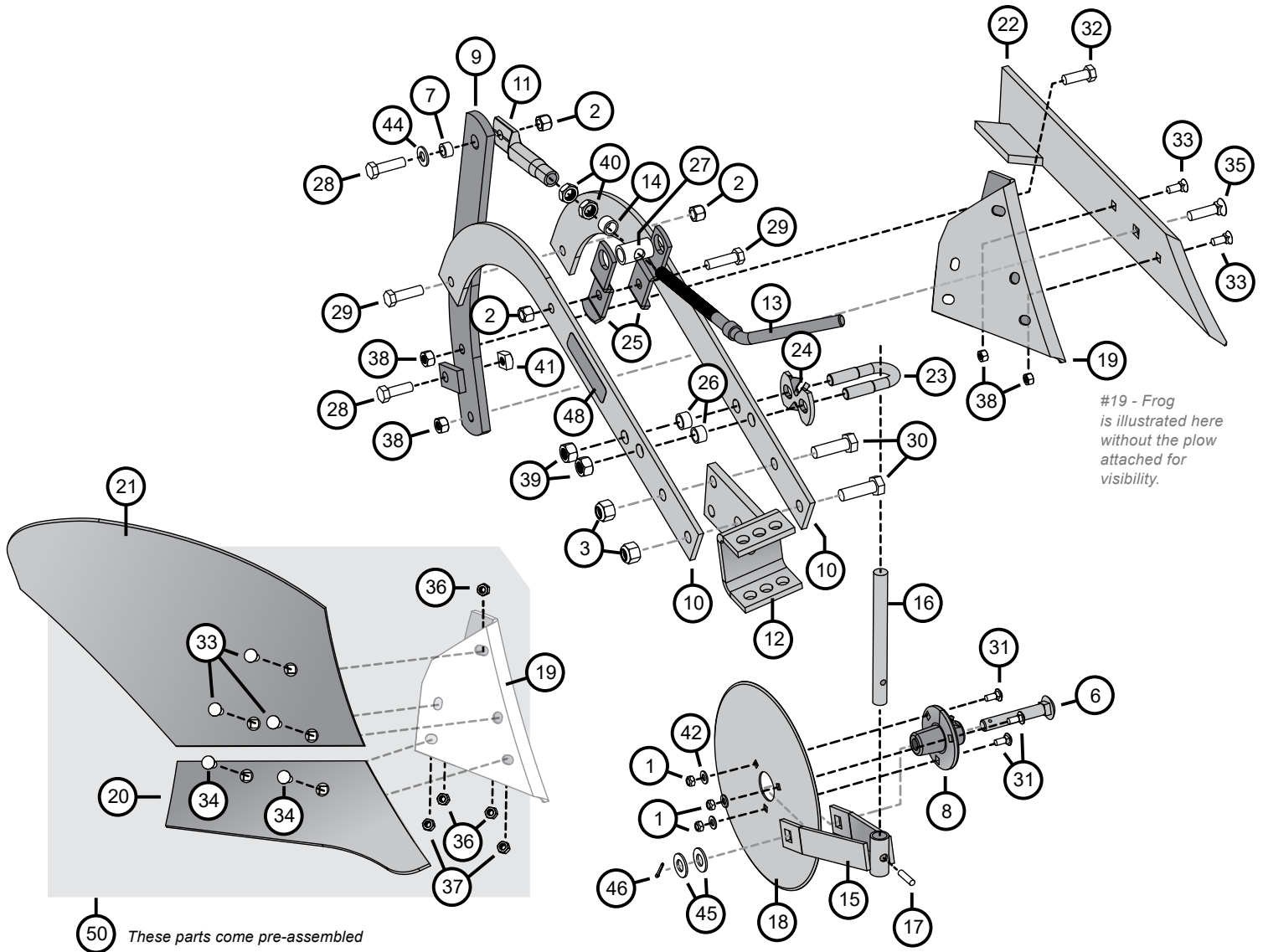
Hardware Bag Z-1216-B

2	B-1677P	Nut; Hex Lock, 1/2"-13	3
7	P-234	Spacer	1
14	P-262-01	Spacer, Plated	1
17	P-270	Pin; Spiral, 5/16 x 1-1/4"	1
30	1M2032P	Bolt; Hex Head, 5/8-11 x 2"	2
31	11M1012P	Bolt; Carriage, 5/16 x 3/4"	3
32	10M1624P	Bolt; Carriage, 1/2" x 1-1/2"	1
33	15M1216-R	Bolt; Plow, 3/8-16 x 1"	2
36	30M1200P	Nut; Reg Hex, 3/8"-16	2
38	30M1600P	Nut; Hex, 1/2"-13	2
40	31M2000P	Nut; Jam Hex, 5/8"-11	2
41	35M1600P	Nut; Square Head, 1/2"-13	1
46	50M0420P	Pin; Cotter, 1/8 x 1-1/4"	1

Hardware Bag Z-1216-C

6	P-172P	Coultter Axle; Bolt, 5/8 x 4"	1
23	P-386P	U-Bolt	1
24	P-387-01	Clamp, Coultter - Plated	1

PARTS



Ref #	Part #	Description	Qty	Ref #	Part #	Description	Qty
5	D-128P	Grease Fitting, 5/16"	1	25	P-596-10	Adjusting Bracket	2
8	P-250A	Coulter; Hub	1	48	1008563 1019594	Logo Decal	1
9	P-251-10	Standard	1	50	P-566-10	Assembled Plow + Frog	
10	P-609-10	Beam Half	2	▶ 19	P-273-10	- Frog	1
	└ P-609-1	└ Service Part with Decal		▶ 20	P-275-10	- Share (10")	1
11	P-256P-01	Threaded Tube	1	▶ 21	P-278-10	- Moldboard (10")	1
12	P-257-10	Hitch Bracket (Yoke)	1	▶ 33	15M1216-R	- Bolt; Plow, 3/8-16 x 1"	3
13	P-260-01	Crank	1	▶ 34	15M1416P	- Bolt; Plow, 7/16" x 1"	2
15	P-265A-10	Fork	1	▶ 36	30M1200P	- Nut; Reg Hex, 3/8"-16	3
16	P-269A-10	Coulter; Standard	1	▶ 37	30M1400P	- Nut; Hex, 7/16"	2
18	P-272A-10	Coulter Blade	1				
22	P-287-10	Landside (10")	1				

ASSEMBLY

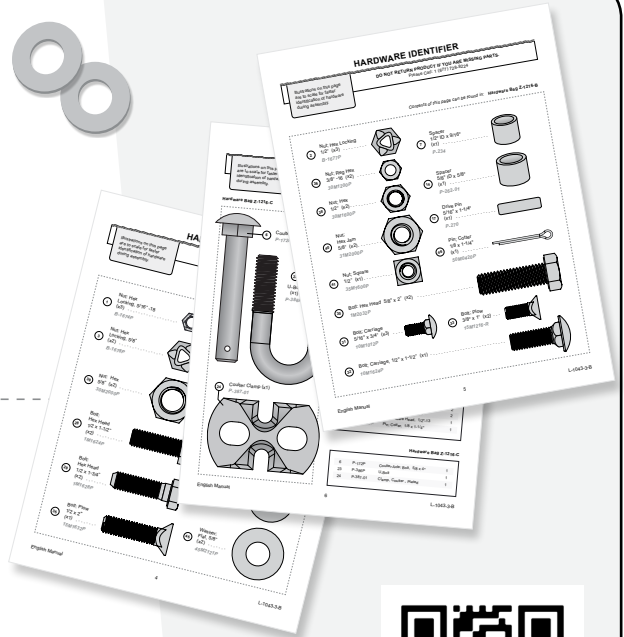
Assembly Tips

BEFORE ASSEMBLY:

- It is recommended that you carefully read this owner's manual before starting assembly of the unit.
- Arrange each kind of hardware into groups.
- NOTE: *Right hand (RH) and Left hand (LH) are determined from the Operator's position while seated on the tractor.*

DURING ASSEMBLY:

- **Illustrations on pages 4-6 are to-scale.** For faster identification of the hardware during assembly, simply lay the hardware on top of these illustrations.
- Securely tighten all fasteners only **AFTER** plow assembly has been completed, *unless noted otherwise.*



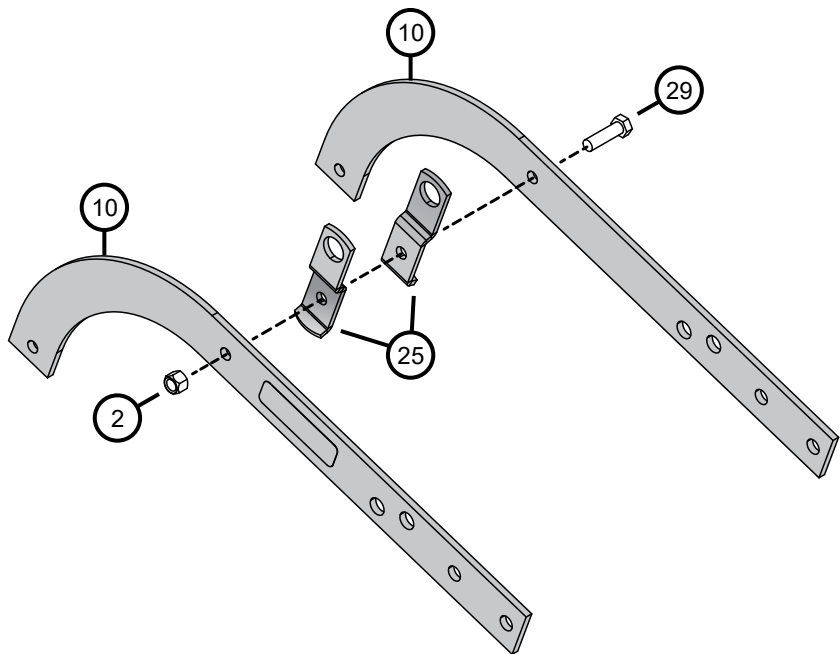
Additional info and videos are available on our website: brinly.com

Step 1

PLOW FRAME

Align the two adjusting brackets (25) as illustrated, against the inside of both beams (10) using:

- (x1) Bolt; Hex Head (29)
1/2" x 1-3/4"
- (x1) Nut; Hex Lock, 1/2" (2)



ASSEMBLY

Step 2

CRANK HANDLE

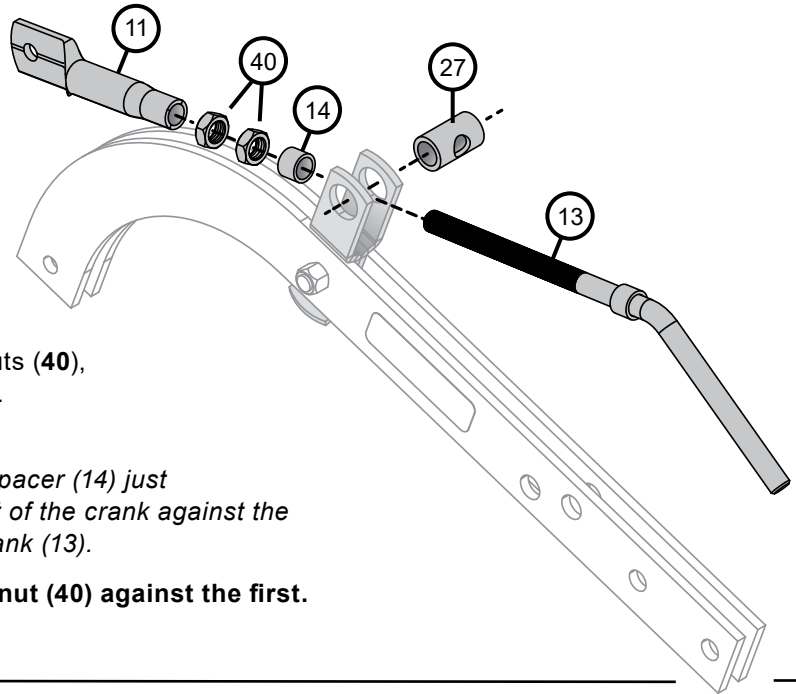
Slip trunnion (27) through the hole in each adjusting bracket.

Insert the crank handle (13) through the hole in the side of the trunnion (27).

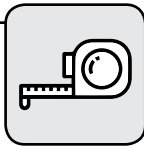
- Next add a spacer (14), the two 5/8" jam nuts (40), and then thread into the threaded tube (11).

NOTE: Thread one jam nut (40) against the spacer (14) just enough to eliminate any excessive movement of the crank against the trunnion (27), taking care **NOT** to bind the crank (13).

Using two wrenches, lock the second jam nut (40) against the first.



Step 3



HITCH BRACKET

Refer to this chart and measure the distance **BETWEEN** the rear wheels on your tractor for the proper alignment of your bracket.

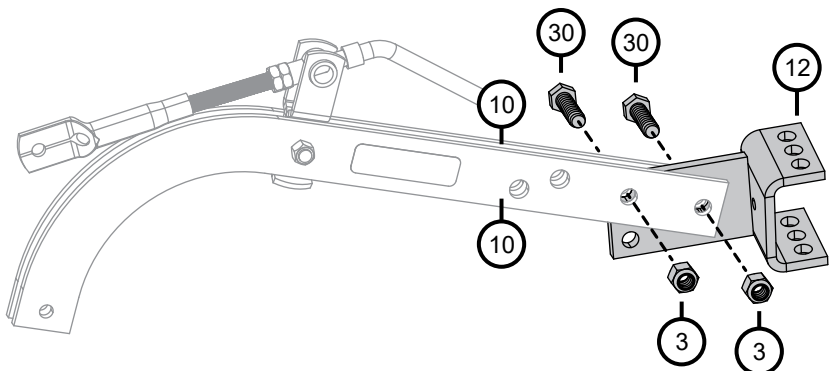
Distance Between Rear Tractor Wheels (inches)	Use Hole #
16" - 19"	1R
19" - 21"	2L
21" - 23"	3L
Over 23"	3L

**Top View:
Assembly to
the Left**

**Top View:
Assembly to
the Right**

Using the alignment determined above, align the hitch bracket (12) **BETWEEN** both beams (10) and secure using:

- (x3) Hex Bolts, 5/8" x 2" (30)
- (x3) Hex Lock Nuts, 5/8" (3)



ASSEMBLY

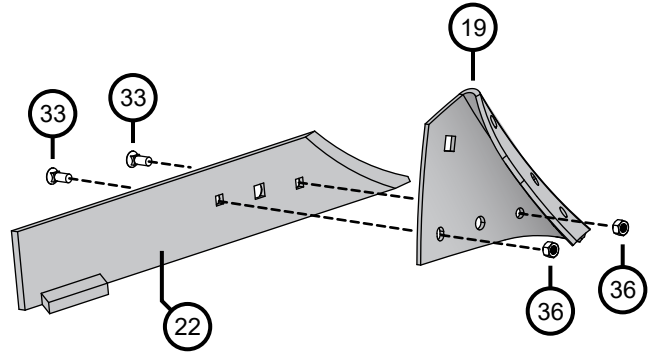
Step 4

NOTE: The Plow comes partially assembled and attached to the Frog (Part 19).
The Plow parts are not illustrated on this step for better visibility on these assembly illustrations.

PLOW BOTTOM AND STANDARD

Align the landside (22) and frog (19), as illustrated here. Secure using:

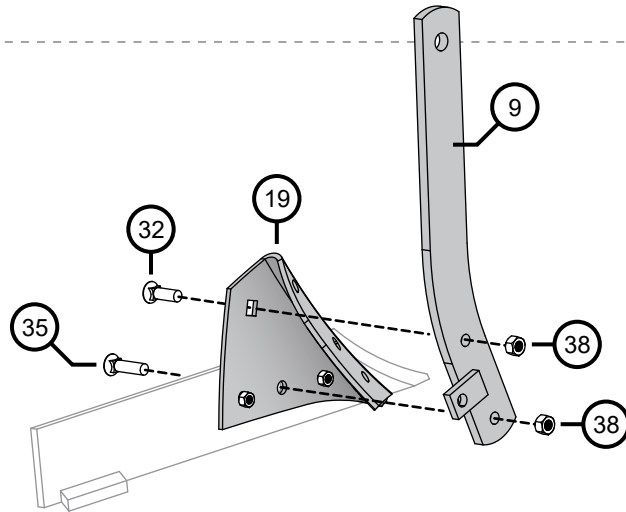
- (x2) Plow Bolts, 3/8" x 1" (33)
- (x2) Hex Nuts, 3/8" (36)



Align the standard (9) with the frog (19) as illustrated here. First, secure the standard at the base using:

- (x1) Plow Bolt, 1/2" x 2" (35)
- (x1) Hex Nut, 1/2" (38)

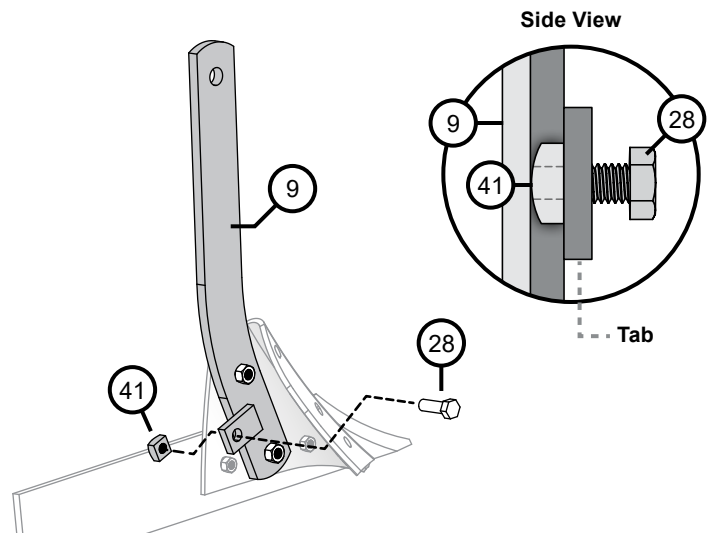
Next, insert the 1/2" x 1-1/2" carriage bolt (32) through frog and standard, securing with a 1/2" hex nut (38).



Insert one 1/2" x 1-1/2" hex bolt / tracking adjusting bolt (28) through the "tab" at the bottom of the standard (9).

Place the 1/2" square nut (41) between the "tab" and frog (19), and thread the tracking adjusting bolt (28) into the square nut until tight.

Tighten all fasteners securely.



ASSEMBLY

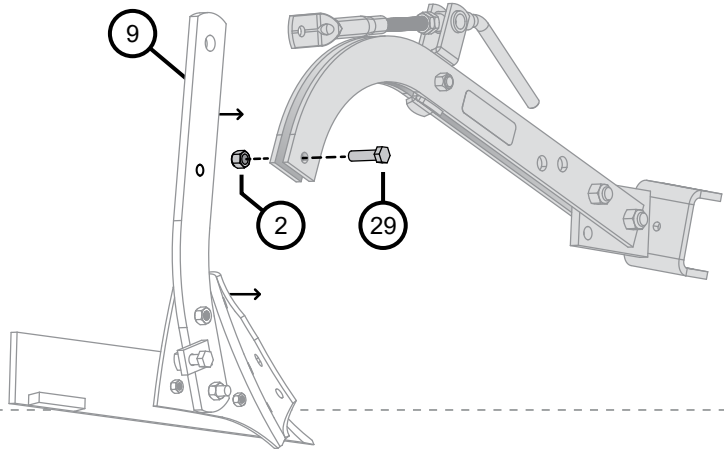
NOTE: The Plow comes partially assembled and attached to the Frog (Part 19).
The Plow parts are not illustrated on this step for better visibility on these assembly illustrations.

Step 5

PLOW FRAME AND BOTTOM

Slide the standard (9) between the beams, as illustrated, aligning the **LOWER** remaining opening of the standard. Fasten together using:

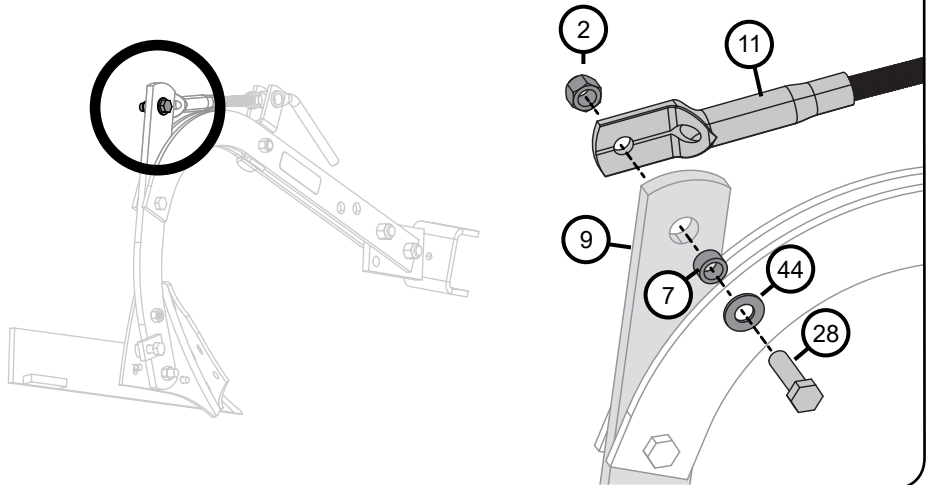
- (x1) Bolt, 1/2" x 1-3/4" (29)
- (x1) Hex Lock Nut, 1/2" (2)



At the top of the standard (9), align and attach the end of threaded tube (11) to the side using:

- (x1) Hex Bolt, 1/2" x 1-1/2" (28)
- (x1) Flat Washer, 1/2" (44)
- Place a 9/16" spacer (7) within the hole of the standard
- (x1) Hex Lock Nut, 1/2" (2)

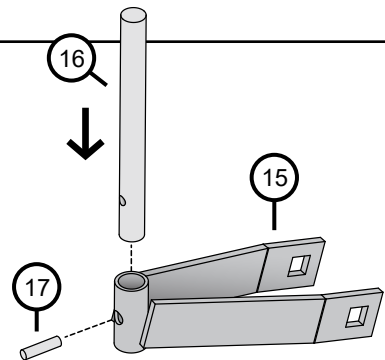
Tighten these fasteners so that the threaded tube is free to pivot.



Step 6-A

COULTER BLADE

Insert the coultter standard (16) into the fork (15), align the holes and drive the 5/16" x 1-1/4" pin (17) through, leaving an equal amount of pin on each side.

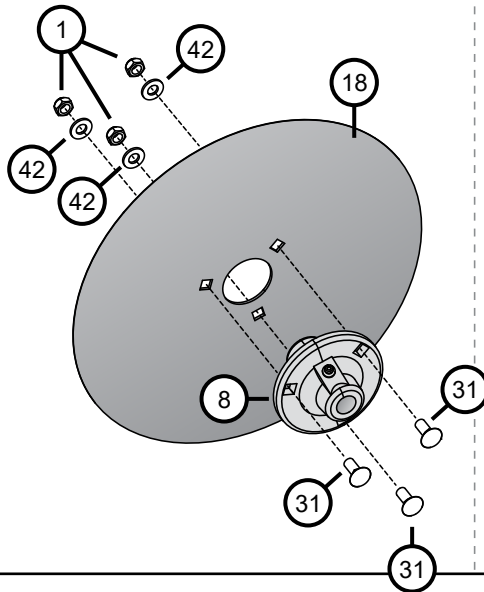


ASSEMBLY

Step 6-B COULTER BLADE

Attach the coultter hub (8) to the coultter blade (18) using:

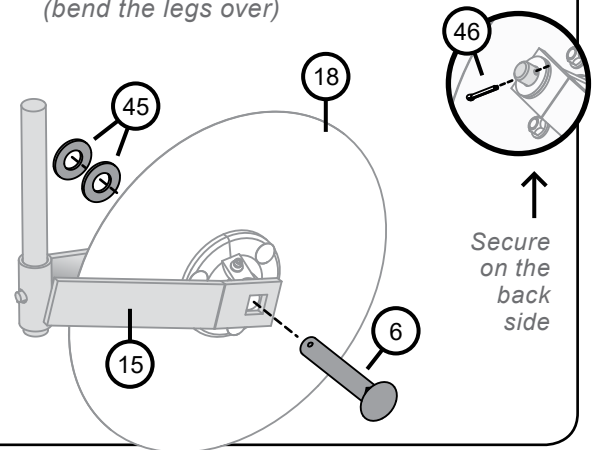
- (x3) Carriage Bolts (31)
5/16" x 3/4"
- (x3) Flat Washers (42)
5/16"
- (x3) Lock Nuts (1)
5/16"



Install the coultter blade (18) on the fork (15) by inserting the axle (6) through one leg of fork (15).

Secure with:

- (x2) Flat Washers, 5/8" (45)
- (x1) Cotter Pin, 1/8" x 1-1/4" (46)
(bend the legs over)

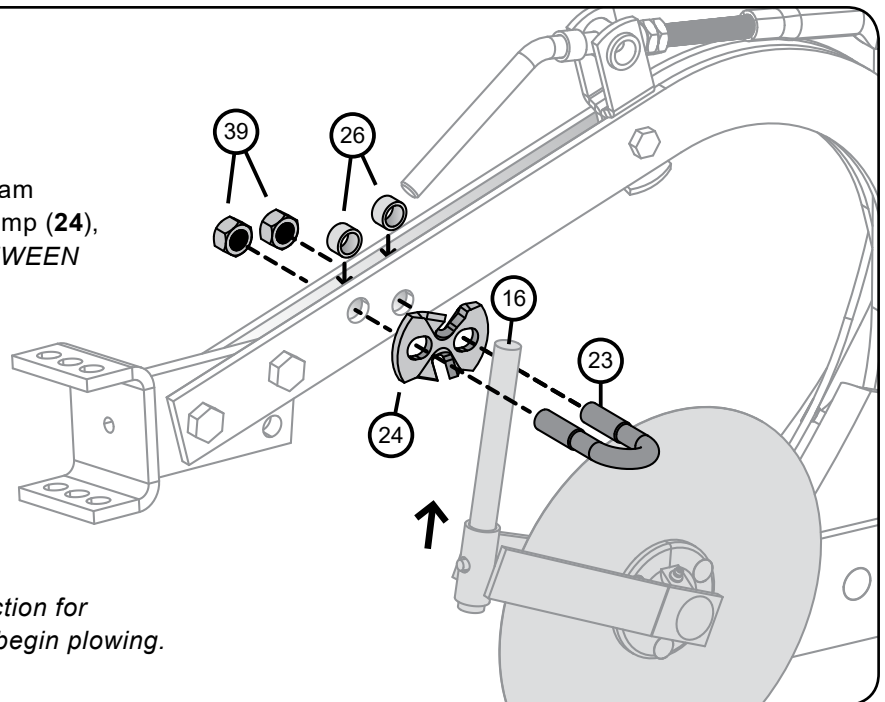


Step 7

Attach the coultter assembly to the plow beam as shown, using the U-bolt (23), coultter clamp (24), two spacers (26) (Note: Spacers slide BETWEEN the plow beams), and secure with two 5/8" hex nuts (39).

Position the coultter standard (16) between the U-bolt and coultter clamp and move up to the highest position.

NOTE: Refer to the coultter adjustment section for proper setting, to be adjusted AFTER you begin plowing.



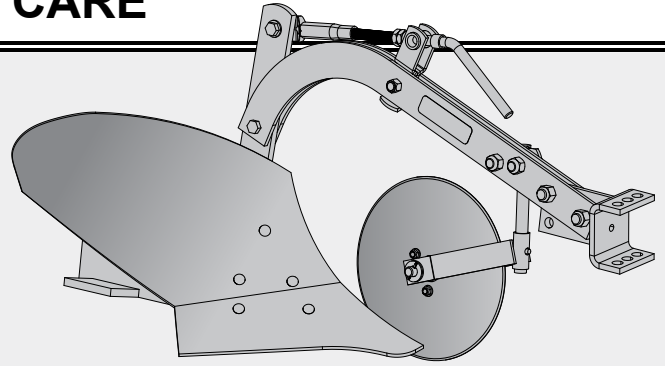
Assembly is Complete!

Please continue reading for the Use and Care instructions.

USE AND CARE

MODEL:

PP-510 PLOW USE & CARE SECTION



SPECIFICATIONS

Working Width 8" - 10"
Primary Material Steel
Compatibility All garden tractor models*
Settings / Speed 3rd Gear
Full Throttle
Steady Pace

DIMENSIONS

Length 42"
Width 12"
Height 23"

*Must be equipped with a sleeve hitch (purchased through tractor manufacturer).

PRE-ADJUSTMENT

NOTE: During normal plowing, the right side Tractor Wheels will be riding in the previously plowed furrow. (A furrow is the cut area your plow makes while turning the soil).

An initial setting for your plow is required to cut the first furrow on level ground.

PRE-SETS FOR APPROXIMATELY 5"-6" PLOWING DEPTH:

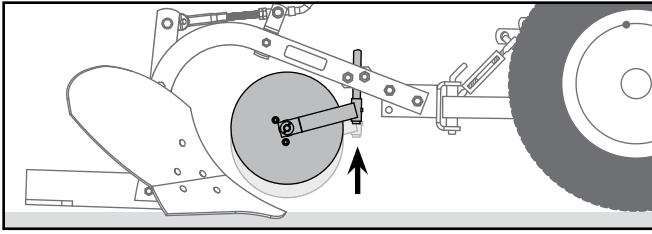
1. **Remove stabilizer bolts and nuts from Sleeve Hitch.** (The plow must be free to move side to side on hitch).
2. **Lower your tractor lift handle and lock in the Lowered position.** (You may need to lower the "attachment depth control" on your tractor to do this).
3. **Mount the Plow to the Sleeve Hitch with the Hitch Pin furnished with the Hitch.** (Refer to Assembly Step #3 on pg 9 of this manual to select the proper mounting hole).
4. **Adjust lift spring tension on hitch as required.** (See hitch manual for instructions).
5. **Adjust the depth crank of plow** until point of plow share is on the ground and the rear of Plow Landside is approximately 1" off the ground. Refer to figure 1 on pg 14. NOTE: The Plow will appear to be angled to the left. This will allow the plow to run level when the right hand tractor wheels are in the plowed furrow.



WARNING - The "Attachment Clutch" switch on the dash of Tractor (device that engages tractor mower) needs to be ENGAGED at all times while operating the tractor. This actuates the Operator Sensing Device in the tractor seat - Tractor Engine will stop in case you dismount or fall off tractor. Failure to actuate this device can cause personal injury or damage to your tractor and property if you were to fall off. SWITCH MUST BE DISENGAGED IN ORDER TO RESTART ENGINE.

USE AND CARE

6. Adjust the Plow Couler to the highest position.



7. Make your first two furrows as described in the diagram below "figure 2" (1-2 and turn 3-4).

Make sure the Tractor lift handle is lowered and locked into the down position. Plow in 3rd gear and near full throttle. Raise the plow to the transport position while turning.

*NOTE: If your plow is **NOT** plowing at 4"-5" deep on your initial two passes, readjust the plow depth crank. See adjustment section on pg 15.*



*Make this adjustment **ONE** turn at a time until desired depth is obtained.*

8. The rest of the furrows will be made with the tractor tires in the previously cut furrows; therefore:

The Pitch (depth) of the plow must now be readjusted to a 5"-6" plowing depth.

9. **Position your tractor with the inside of the right side wheels against the side of the previously plowed furrow.**

10. **Start plowing for a short distance and check the depth of the furrow.** Adjust the depth crank clockwise or counter-clockwise **ONE** turn at a time and retry until the 5"-6" depth is obtained.

11. **After plowing depth is set with plow in furrow:** Stop the tractor and measure the distance from the centerline of the plow couler axle bolt - it should be about 2" above the ground. If it is not, raise the plow out of the ground and adjust the couler up or down to obtain this dimension. Be sure to adjust side motion at this time. (See couler adjustment on page 16).

Fig.1

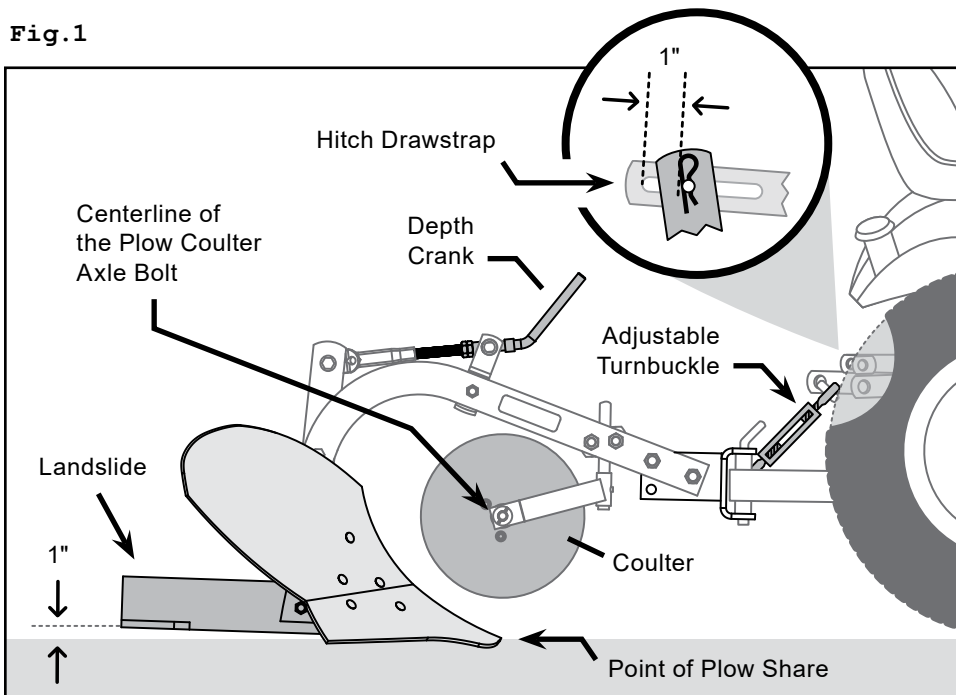
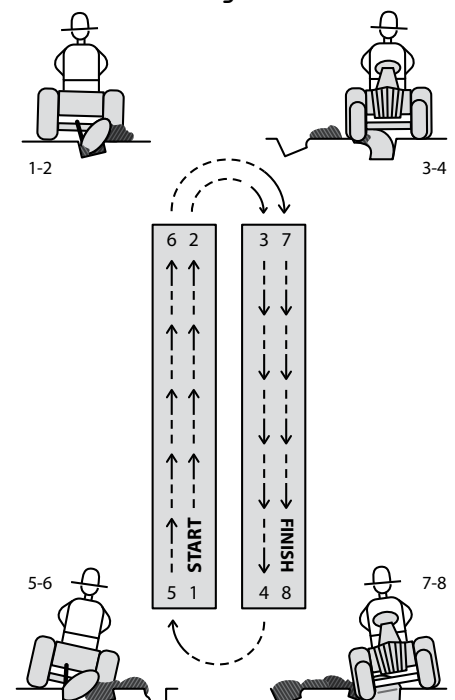


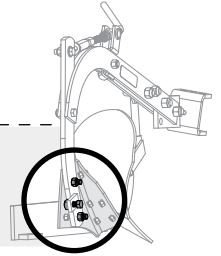
Fig.2



USE AND CARE

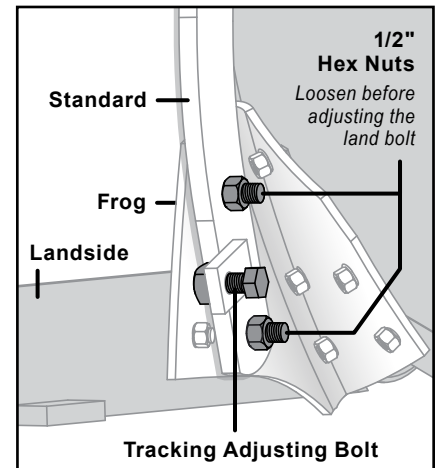
TRACKING ADJUSTMENT

For most plowing conditions, the landside will be properly adjusted (Step 4 of the assembly), enabling the plow bottom to react like a rudder while ground engaged.



Optional Adjustments / Tracking Troubleshooting:

<p>Plow appears to track to the left while in use.</p>	<ol style="list-style-type: none"> 1. Loosen both 1/2" Hex Nuts securing the plow bottom to the standard and turning the tracking adjustment bolt clockwise two turns. 2. Retighten hex nuts securely. Repeat adjustment as necessary until plow pulls straight at 10" from the adjacent plowed swath.
<p>The tip of the plow tends to overcut and leave a ragged furrow wall.</p>	<ol style="list-style-type: none"> 1. Loosen both 1/2" hex nuts securing plow bottom to the standard and then turn the tracking adjusting bolt clockwise two turns. Retighten hex nuts securely. Repeat adjustment as necessary until plow pulls straight behind tractor and is plowing 8"-10" wide.



TIPS

- **TALL WEEDS** or grass must be cut down with a rotary mower before plowing.
- **NEVER PLOW WHEN SOIL IS WET:** A rule of thumb is to pick up a handful of soil and roll it into a ball. If soil does not crumble, it is too wet. If the soil is too dry, it may be difficult for the plow to penetrate properly.
- **AVOID PACKED SOIL:** Avoid low areas, old roadways, paths and other places where soil is overly packed.
- **THICK SOD:** Expect to have some difficulty plowing thick sod. However, by using the proper settings for Coulter, Hitch, and Crank, you should be able to do a good job under most conditions.
- **STABILIZER BOLTS:** Do not over-tighten the stabilizer bolts, the plow must be free to sway from side to side. (Refer to your hitch manual).
- **IDEAL DEPTH:** Your 10" plow will generally work best at a depth of 5 to 6 inches.

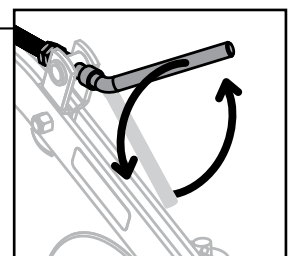
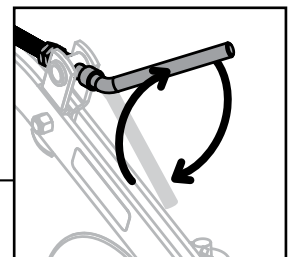
PLOW DEPTH ADJUSTMENT

To angle the plow share into the ground when opening the first furrow, adjust the point downward until the plow is cutting 4"-5" deep.

- After a few furrows (or desired depth is reached) turn the crank **COUNTER-CLOCKWISE** to maintain that depth. Do not allow landside to ride more than 1/2" off bottom of furrow as this will cause excessive wear on bottom of share, resulting in poor soil penetration and loss of landside support.

 **clockwise**
to lower the plow

 **counter-clockwise**
to elevate the plow

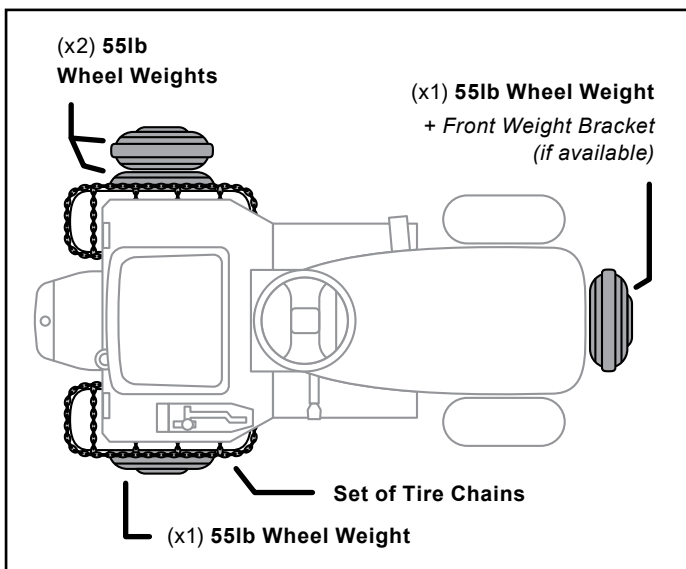


*NOTE: Make these adjustments **ONE** turn at a time until desired depth is obtained.*

USE AND CARE

TRACTION

- **WHEEL WEIGHTS** are required under most plowing conditions.
- **TIRE CHAINS** or rear Chevron Tires (agricultural tires) are also recommended with the plow.
- **HEAVY CLAY OR SOD:** While plowing heavy clay, soil or sod, it will help reduce the width of the plow cut. This can be accomplished by hitching the plow one or two holes to the LEFT of the recommended setting, (*Refer to Assembly Step #3 on pg 9 of this manual*).
- **IDEAL PLAN FOR PLOWING:** Lay out your field to be plowed, and if possible, make it rectangular in shape. NOTE: *It is easier to plow a few long furrows than many short ones. Leave some room at each end of the field for turning your tractor.*
- **BEFORE TURNING:** Must **ALWAYS lift the plow.**
- **SPEED:** Do not plow too fast!
Move steadily along so that the earth will turn over and not fall back into the furrow. In most soils, this is done at FULL THROTTLE in 3rd Gear. NOTE: *If plowing speed changes, it may be necessary to re-adjust the depth crank to maintain desired plowing depth.*
- **LIGHT SOIL:** In light soils, plowing may often be done in a higher gear, but if you travel too fast, the furrows will be uneven and the dirt is apt to be thrown rather than rolled over.



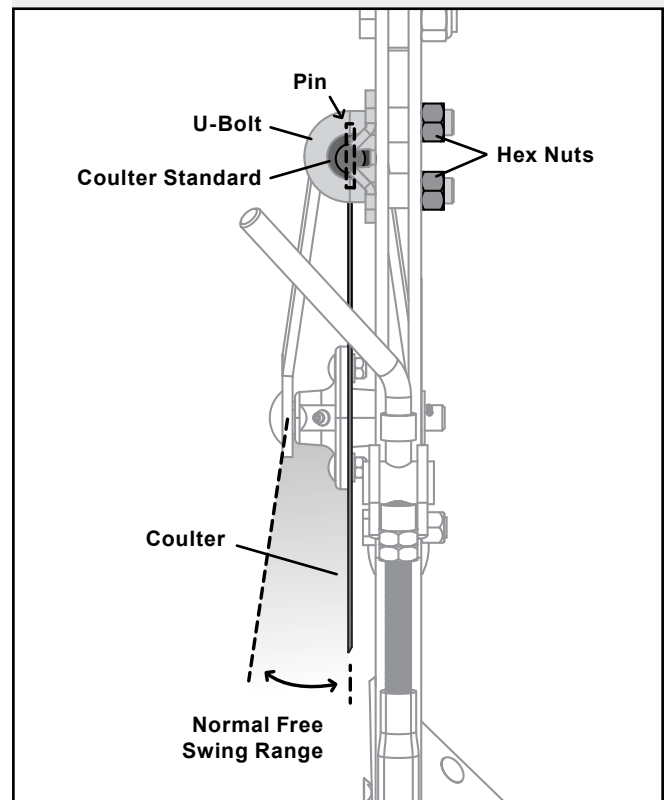
COULTER ADJUSTMENT

1. The coulter should be adjusted to slice 2"-3" deep when plow is in the ground. Make this adjustment by loosening the two hex nuts which secure the U-bolt and then move the coulter assembly standard up or down as required.
2. Rotate the coulter assembly to the LEFT so that the drive pin located in the standard prevents the coulter from swinging into the plow beam or bottom, now tighten the two hex nuts.

When properly adjusted, the coulter will be free to swing OUTWARD a limited amount only, to the LEFT of the beam.

NOTE: *In extremely hard soil, the coulter may actually prevent the plow from penetrating the surface. Should this situation occur, raise or remove the coulter entirely.*

TOP VIEW:



USE AND CARE

MAINTENANCE



- **CONDITION:** The moldboard should (after initial scouring) be kept in a smooth, polished condition. Fine sandpaper, steel wool, kerosene, naphtha, etc. may be used to restore the finish on a rusty moldboard.
- **SHARPENING:** The coultter blade edge should be relatively sharp. If sharpening is necessary, use a flat file.
- **COULTTER HUB BEARING:** Every 4 hours lubricate the coultter hub bearing surface through the grease fitting.
NOTE: *When lubricating bearing, it is recommended that you use multipurpose grease.*
- **PREVENT RUST:** For smooth operation and to prohibit the formation of rust on the crank, keep a light coating of oil on threads.

SERVICE



QUALITY CONTINUES WITH QUALITY SERVICE

If you have installation questions, are missing parts or need replacement parts, don't go back to the store!

Please find your product serial number and model number, then contact our Customer Service department:



In North America and Canada call
Toll-Free: **877-728-8224**



Chat online: **www.brinly.com**



Email: **customerservice@brinly.com**

TROUBLESHOOTING

(Plowing difficulties and remedies).

PROBLEM	CAUSE/CONDITION	REMEDY
Slow Ground Entry	<ol style="list-style-type: none"> 1. Improper crank adjustment. 2. Badly worn plow share. 3. Ground extremely dry and hard due to lack of moisture. 4. Hitch downward movement restricted by mower adjustment. 	<ol style="list-style-type: none"> 1. Refer to depth adjustment and turn the crank CLOCKWISE 1 or 2 turns at a time. 2. Replace with a new share. 3. Add extra weight to tractor or wait until soil conditions are suitable. 4. Adjust for shortest cut height.
Plow Cutting Too Wide	<ol style="list-style-type: none"> 1. Improper tracking adjustment. 	<ol style="list-style-type: none"> 1. See tracking adjustment on page 15.
Tracking Issues	<ol style="list-style-type: none"> 1. Plow Tracks to the left or Leaves a ragged wall. 	<ol style="list-style-type: none"> 1. See "Tracking Adjustment" section, on page 15.
Plow Bottom Won't Polish	<ol style="list-style-type: none"> 1. New or rusted bottom. 	<ol style="list-style-type: none"> 1. Clean bottom frequently during use until polish is obtained by: <ul style="list-style-type: none"> - Clean bottom with a rag soaked in turpentine or mineral spirits. - Old brick or pumice may also be used to polish bottom. - Rub with a rag soaked in oil and dipped in sand.
Uneven Plowing Depth	<ol style="list-style-type: none"> 1. Extreme variations in soil texture and/or moisture. 2. Plow rides up in harder, dry soil, runs shallow. 3. Plow goes too deep. 	<ol style="list-style-type: none"> 1. See plowing tips. Soil too wet or dry. 2. Reduce tractor speed in hard spots. Check depth adjustment. 3. Check depth adjustment, turn counter-clockwise.



SINCE 1839
BRINLY
 MANUFACTURER'S LIMITED WARRANTY
PLOWS

The limited warranty set forth below is given by Brinly-Hardy Company with respect to new merchandise purchased and used in the United States (its possessions and territories) and Canada.

Brinly-Hardy Company warrants the products listed below against defects in material and workmanship, and will at its option, repair or replace, free of charge, any part found to be defective in materials or workmanship. This limited warranty shall only apply if this product has been assembled, operated, and maintained in accordance with the Operator's manual furnished with the product, and has not been subject to misuse, abuse, commercial use, neglect, accident, improper maintenance, alteration, vandalism, theft, fire, water, or damage because of other peril or natural disaster.

Parts found to be defective within the warranty period will be replaced at our expense. Our obligation under this warranty is expressly limited to the replacement or repair, at our option, of parts found to be defective in material and workmanship.

For proper function and to prevent damage while utilizing this ground engaging equipment, a sleeve hitch must be used. Warranty is void if a sleeve hitch is not installed during operation.

HOW TO OBTAIN SERVICE: Warranty parts replacements are available, only with proof of purchase, through our Customer Service Department. Call 877-728-8224.

This limited warranty does not provide coverage in the following cases:

- a. Routine maintenance items such as lubricants & filters.
- b. Normal deterioration of exterior finish due to use or exposure.
- c. Transportation and/or labor charges.
- d. The warranty does not include commercial and/or rental use.

No implied warranty, including any implied warranty of merchantability of fitness for a particular purpose, applies after the applicable period of express written warranty above as to the part as identified below. No other express warranty whether written or oral, except as mentioned above, given by any person or entity, including a dealer or retailer, with respect to any product, shall bind Brinly-Hardy Co. During the period of the warranty, the exclusive remedy is repair or replacement of the product as set forth above.

The provisions as set forth in this warranty provide the sole and exclusive remedy arising from the sale. Brinly-Hardy Co. shall not be liable for incidental or consequential loss or damage including, without limitation, expenses incurred for substitute or replacement lawn care services or for rental expenses to temporarily replace a warranted product.

Some states do not allow the exclusion or limitation of incidental or consequential damages, or limitations on how long an implied warranty lasts, so the above exclusions or limitations may not apply to you.

During the warranty period, the exclusive remedy is replacement of the part. In no event shall recovery of any kind be greater than the amount of the purchase price of the product sold. Alteration of safety

features of the product shall void this warranty. You assume the risk and liability for loss, damage, or injury to you and your property and/or to others and their property arising out of the misuse or inability to use this product. **NOTE: This limited warranty shall not extend to anyone other than the original purchaser or to the person for whom it was purchased as a gift.**

This limited warranty lasts as long you own your product purchased from an authorized seller. **Coverage terminates once you sell or otherwise transfer the product.**

This limited warranty does not cover any purchaser other than the original purchaser of the product, nor does it cover any product purchased from an unauthorized third-party. If you are not the original purchaser of this product, your product is not covered by our limited warranty and you take the product "AS IS" and "with all faults."

We may require proof of purchase from you demonstrating that you are the original purchaser of the product, purchased the product from an authorized dealer, and are eligible to make a valid claim under this limited warranty.

How state law relates to this warranty: This limited warranty gives you specific legal rights, and you may also have other rights which vary from state to state.

IMPORTANT:

The Warranty period stated below begins with the proof of purchase. Without the proof of purchase, the Warranty period begins from the date of manufacture determined by the serial number manufacturing date. All parts replaced under warranty will be considered as part of the original product, and any warranty on the replaced parts will expire coincident with the original product warranty.

WARRANTY PERIOD:

See applicable parts listed below.

Standard / Residential Use:

- Frame Parts 2 years
- Moldboard Plow 2 years

All other normal wear parts or component failures will be covered on this product for a period of 90 days.

If this equipment is being used in a commercial application and / or for multiple properties, the warranty is 90 days after purchase for all parts.