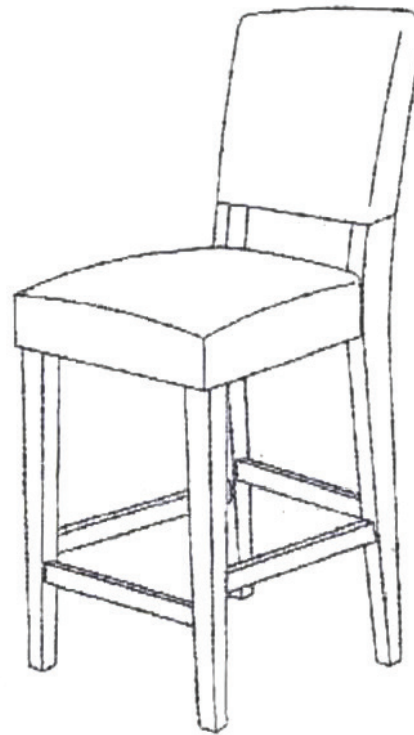
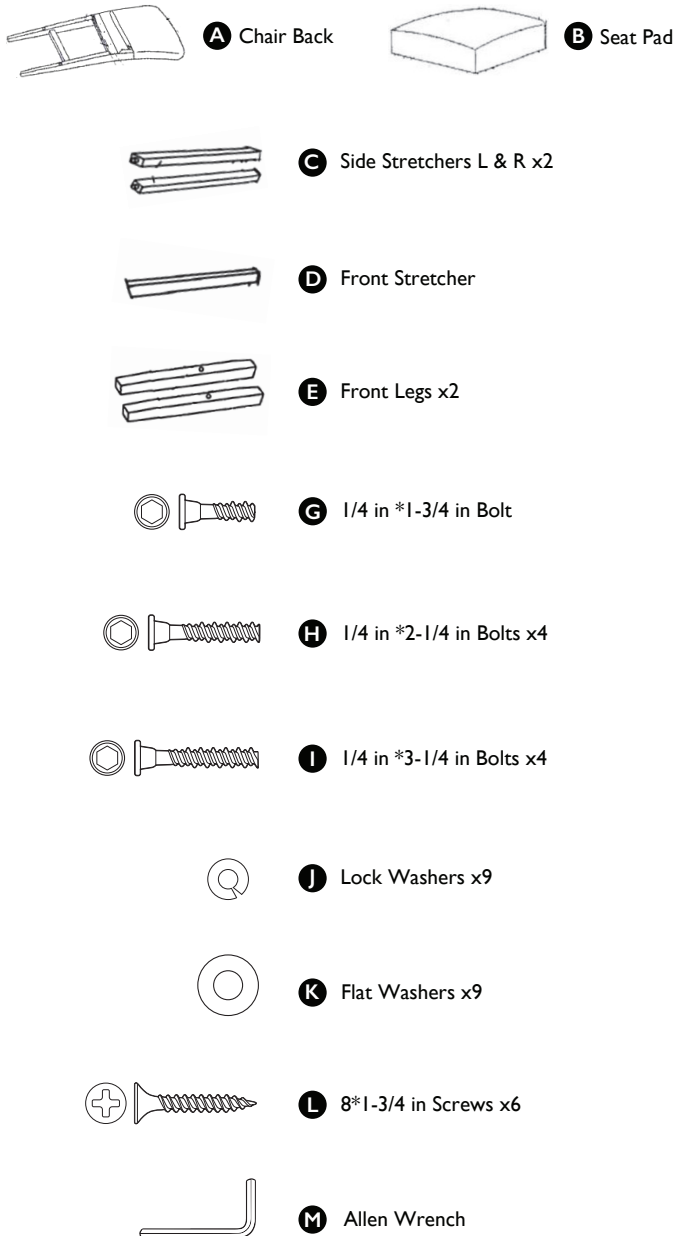


Your new Leick Home barstool will give you years of trouble-free performance. Thank you for choosing our product for your home. **Please read carefully and save these instructions, as you may need them at a later date.**

Required Tools

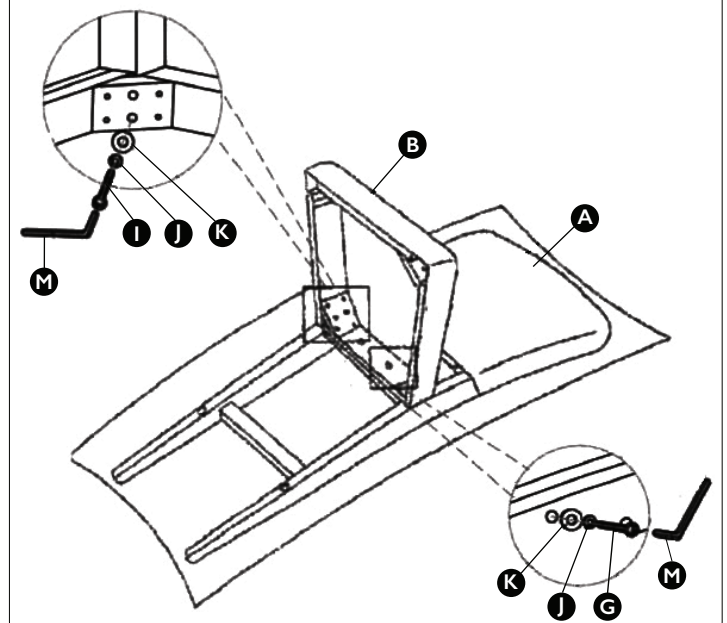
- Phillips Screwdriver

What's in the box



Scan for Installation Video

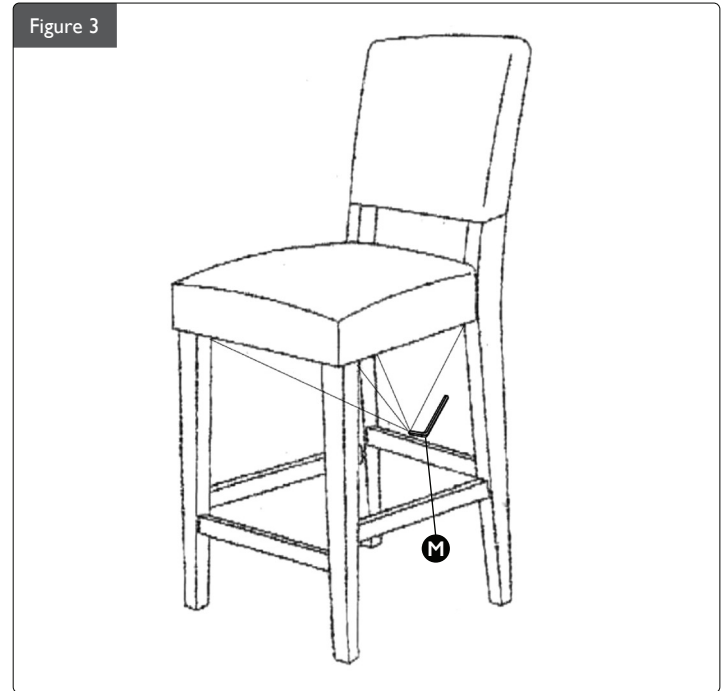
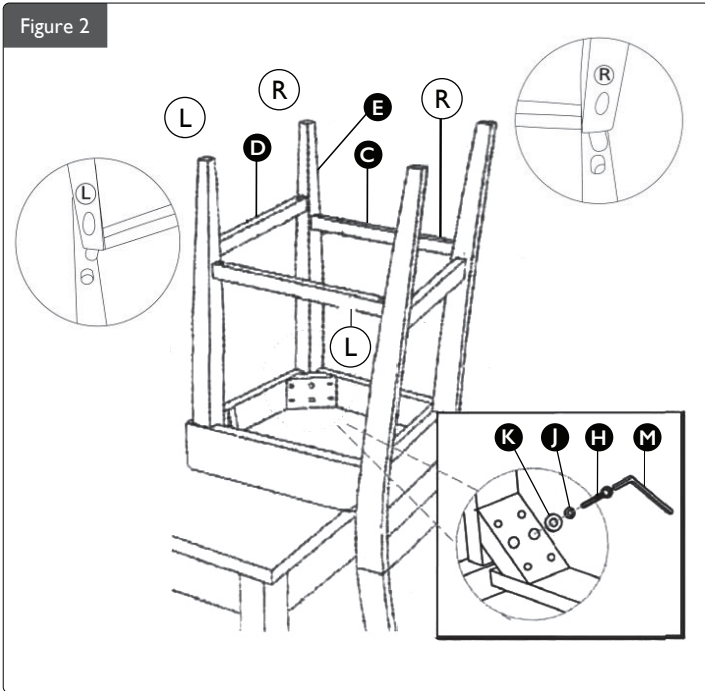
Figure 1



Steps to Install

1. Before installation, carefully unpack and identify all parts.
2. Place **chair back (A)** on a flat surface. Using a **1-3/4 inch bolt (G)**, **lock washer (J)**, **flat washer (K)**, and **Allen wrench (M)**, secure back center of seat pad onto **chair back (A)**. Do not tighten bolts.
3. Using a **3-1/4 inch bolt (I)**, **lock washer (J)**, **flat washer (K)**, and **Allen wrench (M)**, securely fasten back corners of **seat pad (B)** to **chair back (A)**. Do not tighten bolts.

Continued on next page



4. Place chair assembly upside down on a table.
5. Insert 2 **side stretchers L & R (C)** into back leg holes. Make sure left (L) and right (R) sticker matches sticker on **seat pad (B)** before attaching 2 **front legs (E)**.
6. Insert **front stretcher (D)** between 2 **front legs (E)**. Make sure 2 **front legs (E)** stickers match stickers on **seat pad (B)** frame before securing 2 **front legs (E)**.
7. When all stretchers are in place and all legs are properly leveled, secure **seat pad (B)** using **2-1/4 inch bolts (H)**, **lock washers (J)**, and **flat washers (K)** with **Allen wrench (M)**. Do not tighten bolts.

8. Place the chair right side up on an even surface and tighten all bolts when all legs are properly leveled.



9. Using a Phillips head screwdriver, fasten **side stretchers L & R (C)** and **front legs (E)** with **1-3/4 inch screws (G)**. Do not over-tighten.