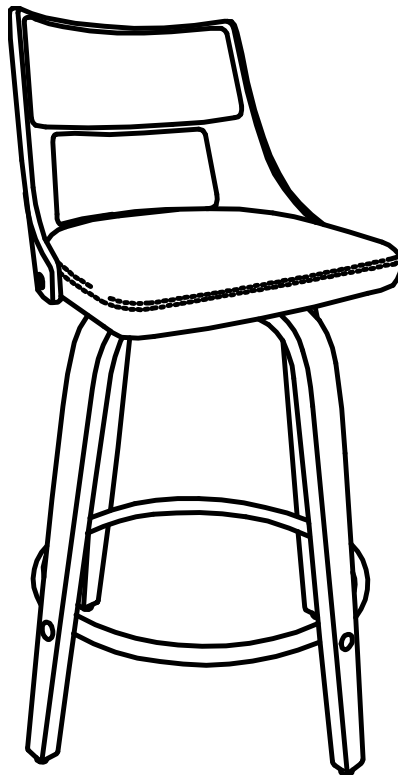



SIMPLIHOME®

Dallyn / Kaydee / Maeve

Swivel Bar Stool (Set of 2)

MODEL # AXCDALBS-CRP



brooklyn + max™ 

Wynden+Hall™
HOME DECOR

SIMPLIHOME®

Great quality is a right.

Thank you for shopping with Simpli Home,
America's top brand for high-value furniture.



It's time to register your product warranty.

It's quick and easy. And you'll be happy you did.



- ✓ Activate your 1-year warranty.
- ✓ Automatic entry to win a \$500 gift certificate.
- ✓ Earn instant rewards and save.

simpli-home.com/product-registration

SIMPLIHOME®

Review your product and collect rewards!

Thank you for your purchase! We hope you enjoy it. We'd love your feedback. Please share a review and get instant rewards!



simpli-home.com/product-review



Share photos and get your cash back!



Send us images or share them on social and qualify for instant rewards. You may even receive store credit on your entire purchase!



simpli-home.com/share-images

SIMPLIHOME®

For fastest customer service:



1. Open your phone's camera.
2. Point your phone's camera at the QR code to scan.
3. Click on the pop up.
4. You'll be taken to our customer service page.
5. Fill the form with your order information and issue.
6. Submit form.
7. A customer service associate will contact you.

Other ways to contact us...



Email Us

customerservice@simpli-home.com



Visit Us

Visit our site directly at
www.simpli-home.com



Call Us

1-866-518-0120
Monday to Friday
9am to 5pm EST

***If you've purchased from a retailer and you wish to return the product, please contact the retailer directly.**

IMPORTANT: Please read this manual carefully before beginning assembly of this product. Keep this manual for future reference.

Safety Information

This furniture is designed for indoor use.

Identify all the parts and hardware. Do not discard of the packaging until you have checked that you have all the parts and hardware required. Hardware package may have spare parts.

WARNING: This item contains small parts which can be swallowed by children and pets. Keep children and pets away during assembly. To avoid danger of suffocation, always keep plastic bags away from children and pets.

We recommend that you assemble this unit on a carpeted floor to avoid scratches. If using power tools, set the tool to low torque to avoid damage.

May require 2 people for ease of assembly.

Care & Maintenance

Wipe regularly with clean water and a damp, clean, soft white cloth.

General cleaning can be done as needed with a mild detergent and water solution.

Always rinse with clean water and dry.

For heavy soiling, dampen a soft white cloth or soft bristle brush.

Use care as scrubbing can damage the surface.

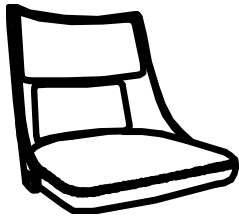
More difficult stains can be treated, but this should be occasional, not daily cleaning.

ANY cleaning solution used must be removed with clean water and a clean white cloth. Cleaning residue left on the material can cause it to dry out and crack or affect the color.

DO NOT use any cleaners with corrosive ingredients (lye, acids or ammonia).

Part Description

A



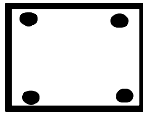
SEAT
QTY 1

B



SWIVEL PLATE
QTY 1

C



LEG PLATE
QTY 1

D



LEG
QTY 4

E



FOOTREST
QTY 1

Hardware Description

1



ALLEN KEY SCREW
M6 x 25 mm
QTY 4

2



ALLEN KEY SCREW
M6 x 20 mm
QTY 10

3



ALLEN KEY SCREW
M6 x 16 mm
QTY 2

4



WASHER
QTY 2

5



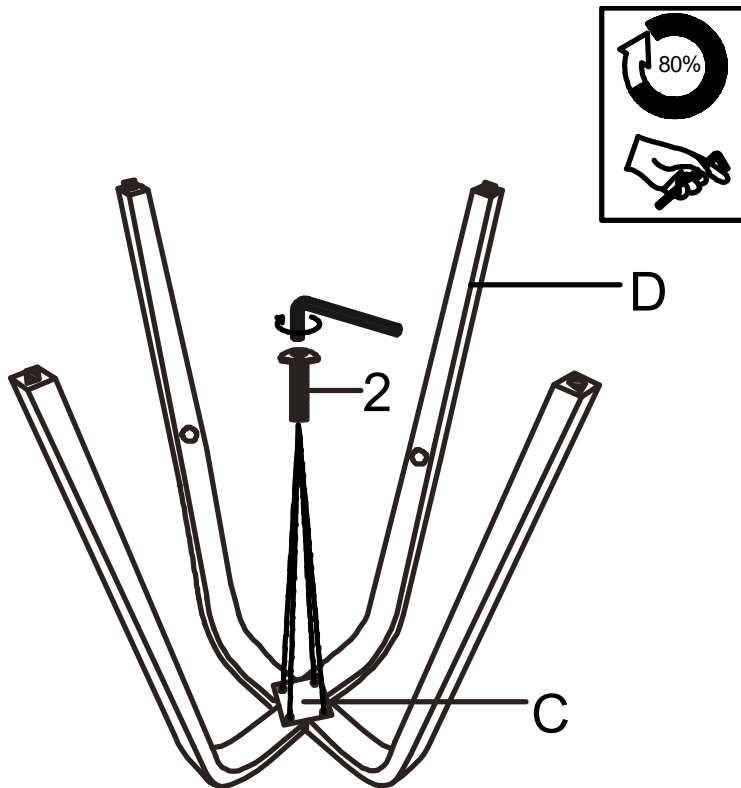
SCREW CAP
QTY 4

6



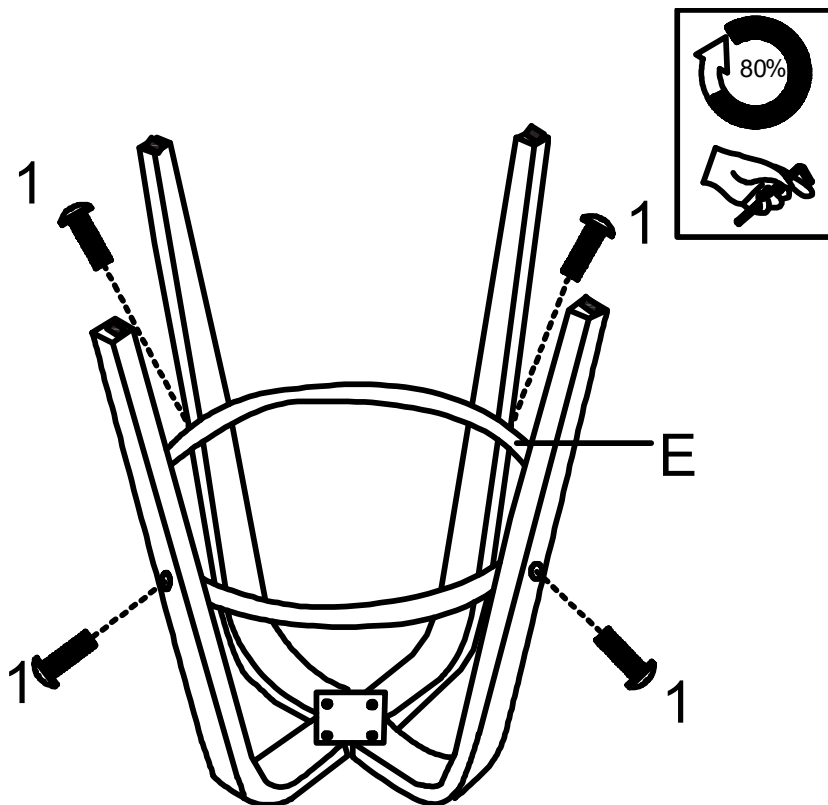
ALLEN KEY
QTY 1

Step 1



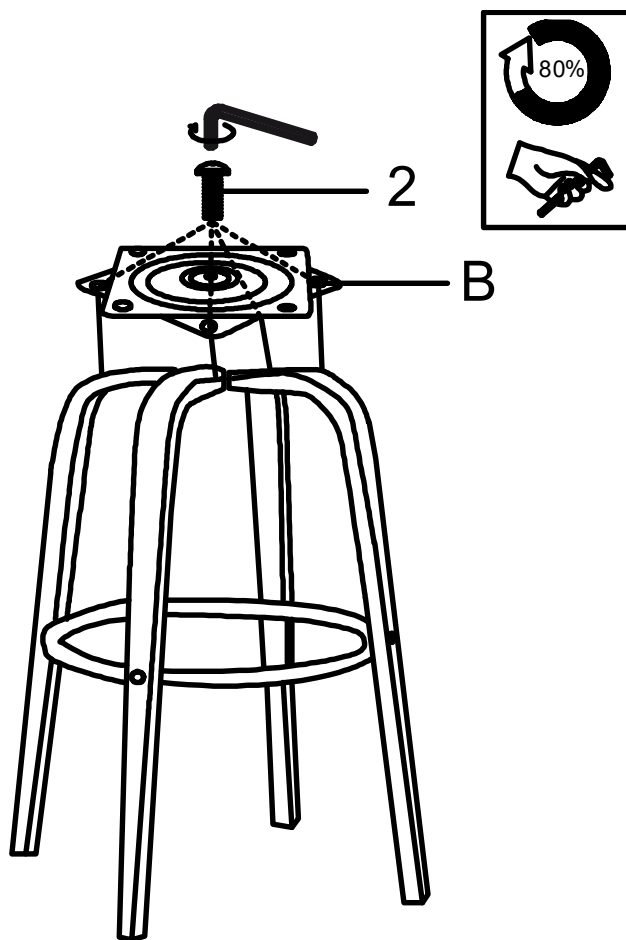
1. Attach Leg Plate (C) to Legs (D) using four Allen Key Screws (2).
2. Use Allen Key (6) to tighten. Do not fully tighten.

Step 2



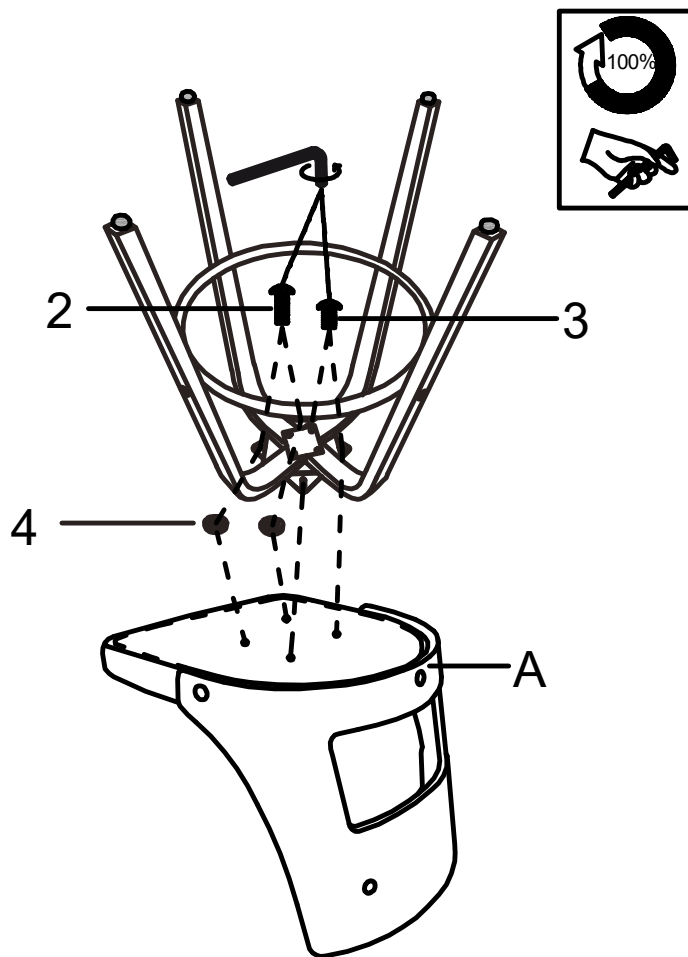
1. Attach Footrest (E) to the Legs (D) using Allen Key Screws (1).
2. Use Allen Key (6) to tighten. Do not fully tighten.

Step 3



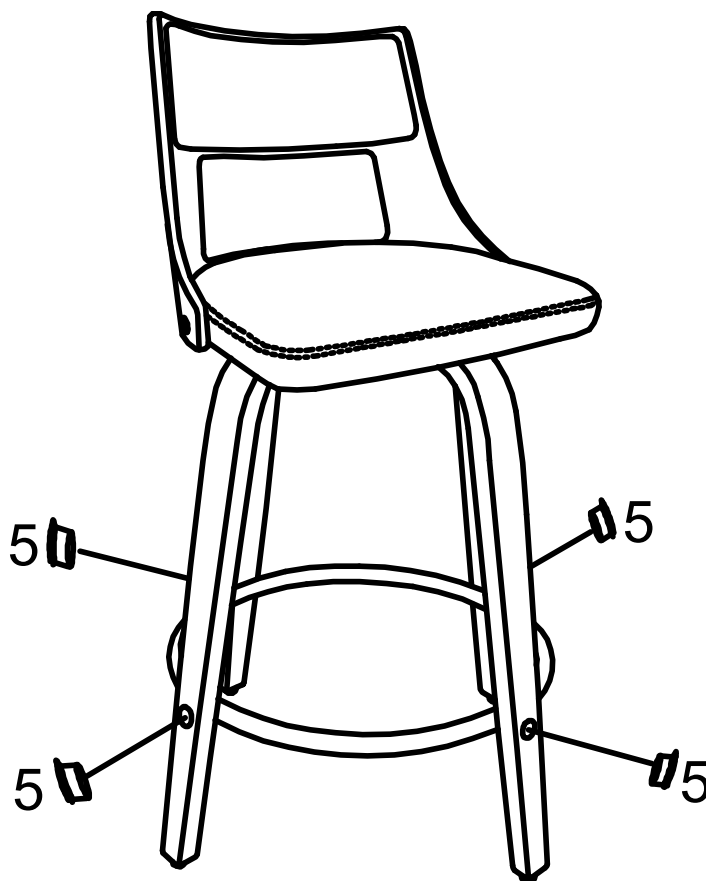
1. Attach assembled Legs (D) to the Swivel Plate (B) using four Allen Key Screws (2).
2. Use Allen Key (6) to tighten. Do not fully tighten.

Step 4



1. Place the Seat (A) upside down on a flat, smooth surface.
2. Attach assembled legs to Seat (A) using two Allen Key Screws (2) and (3) and Washers (4).
3. Use Allen Key (6) to tighten all screws.

Step 5



I. Insert the Screw Caps (5) into screw holes on Legs (D).

Step 6

1. Place Stool on a flat, level surface to ensure it is level.
2. If it is uneven, adjust the leg levelers on the bottom of the legs.