

# Item # : OW48VINLS

## Assembly Instructions



Walker Edison®

Please visit our website for the most current instructions, assembly tips, report damage, or request parts. [www.walkerediton.com](http://www.walkerediton.com)

Revised 04/03/2019

# Outdoor Furniture Care / Cleaning Guidelines

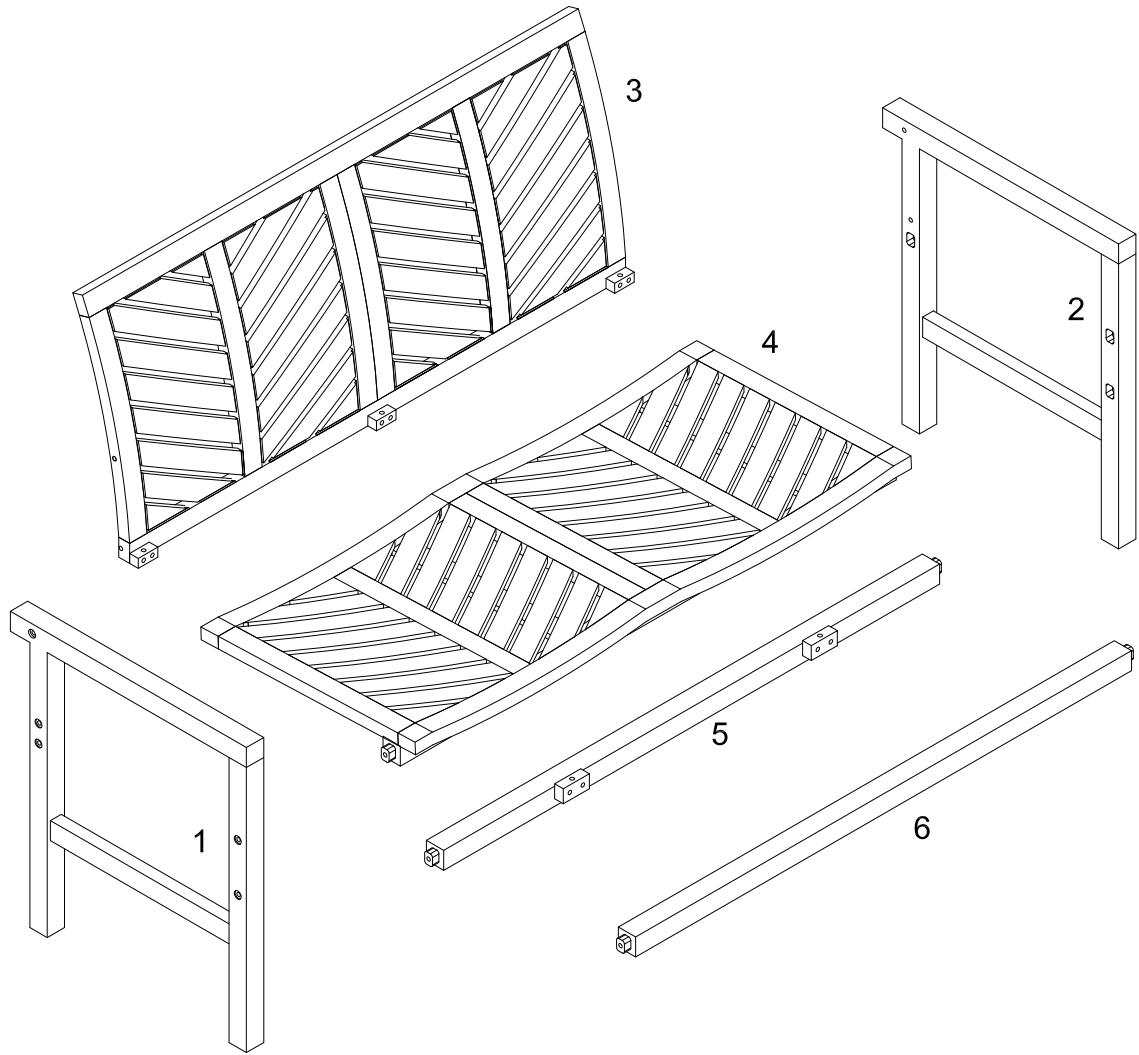
Our patio furniture is designed to be enjoyed for years to come, and while many of our products are weather resistant, UV protected, and water resistant, they still need some care to keep them looking great. Follow these simple tips to maintain the function and appeal of these products.

- I. **Wood Products** - To maintain the attractive coloring and natural wood grain of acacia products, we recommend applying teak oil, at the beginning and the end of each patio season. Teak oil is available at your local hardware store. We also recommend that acacia products are covered when not in use.
- II. **All-Weather / Metal Products** - To keep these products clean and looking sharp, we recommend washing these products as needed with warm, soapy water and wipe down with a clean, dry cloth.
- III. **Cushions** - To clean our comfortable cushions, we recommend pulling the cover off of the cushion and washing on the gentle cycle in your washing machine. It is also recommended that the cushion covers are air dried.



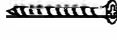


For additional product information, help assembling a product, or for any other customer support issue, please contact our customer service team.

Walker Edison Furniture, LLC  
4350 West 2100 South, Salt Lake City, UT 84120  
Toll Free: 1-877-203-2917  
[www.walkerredison.com](http://www.walkerredison.com)  
Monday - Friday 8 am to 5 pm (MST)

# Parts List

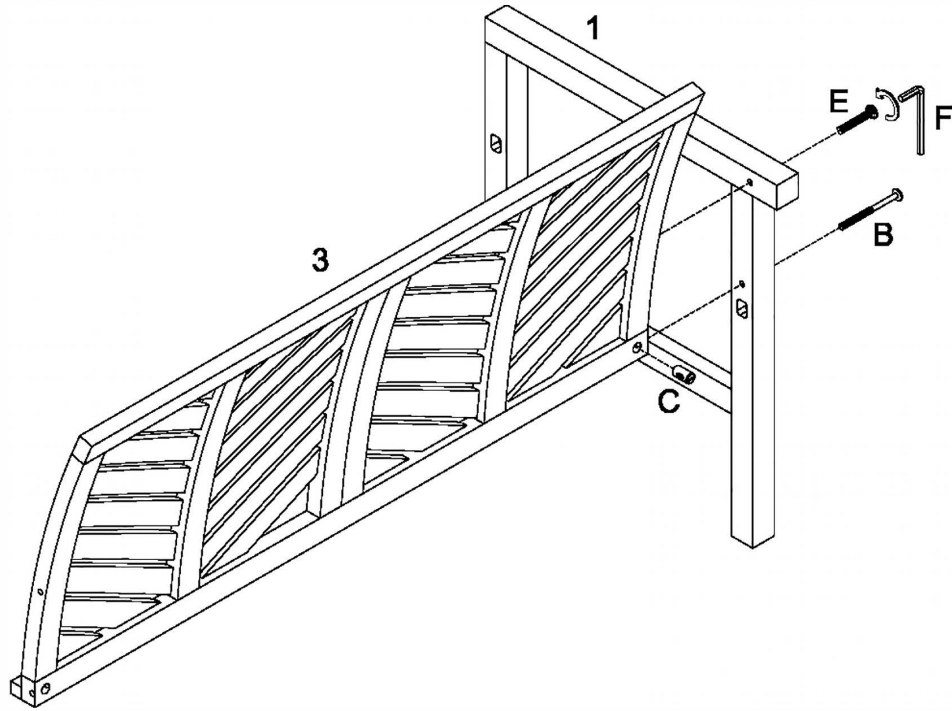


# Hardware List

A		Ø7x90mm	Bolt	6 pcs
B		Ø8x80mm	Bolt	2 pcs
C			Nut	2 pcs
D		Ø4x30mm	Screw	5 pcs
E		Ø8x70mm	Bolt	2 pcs
F		4mm	Hex Key	1 pcs

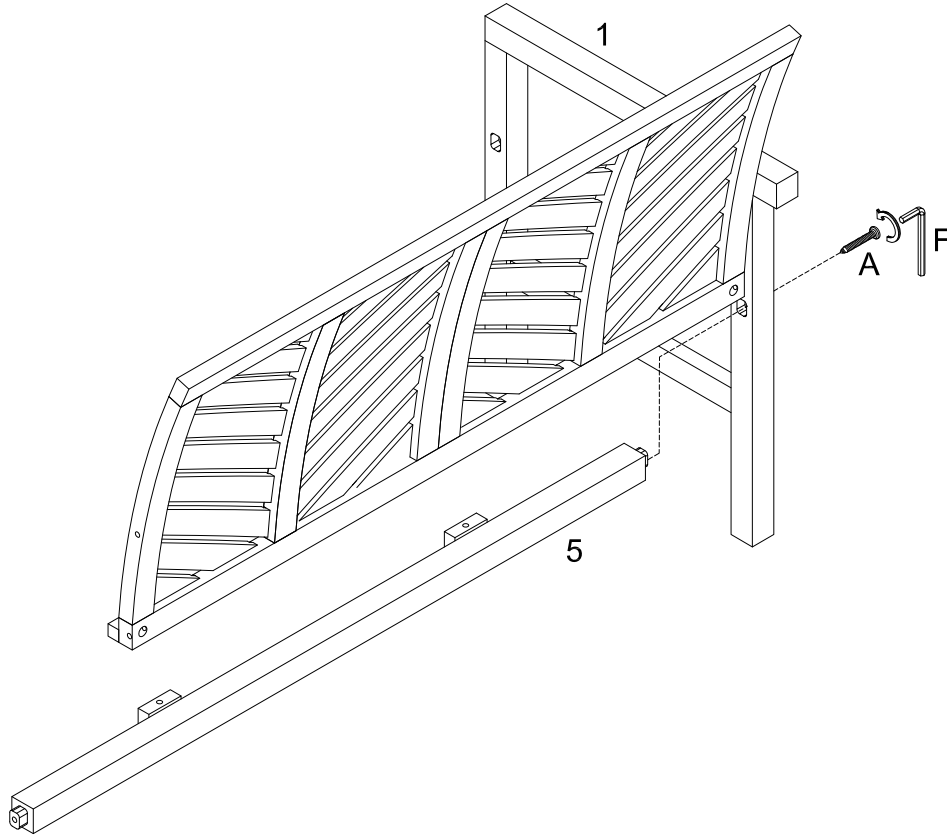
*The hardware quantities listed above are required for proper assembly.  
Some extra hardware may also have been included.*

# Step 1



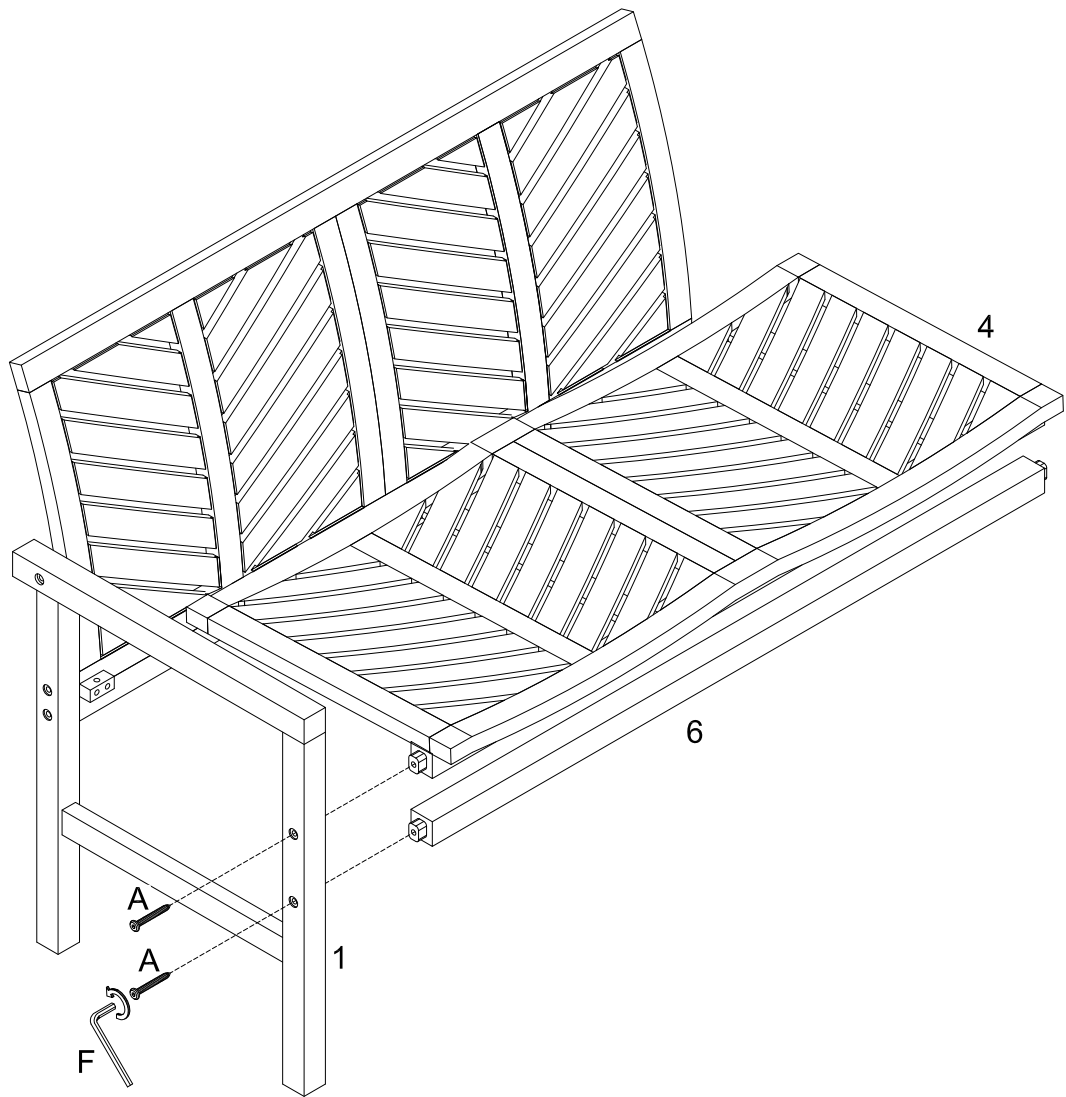
Insert (C) into Part(3), use bolt (E), (B) and Hex Key(F) to secure Part (1) to Back Panel (3) .

# Step 2



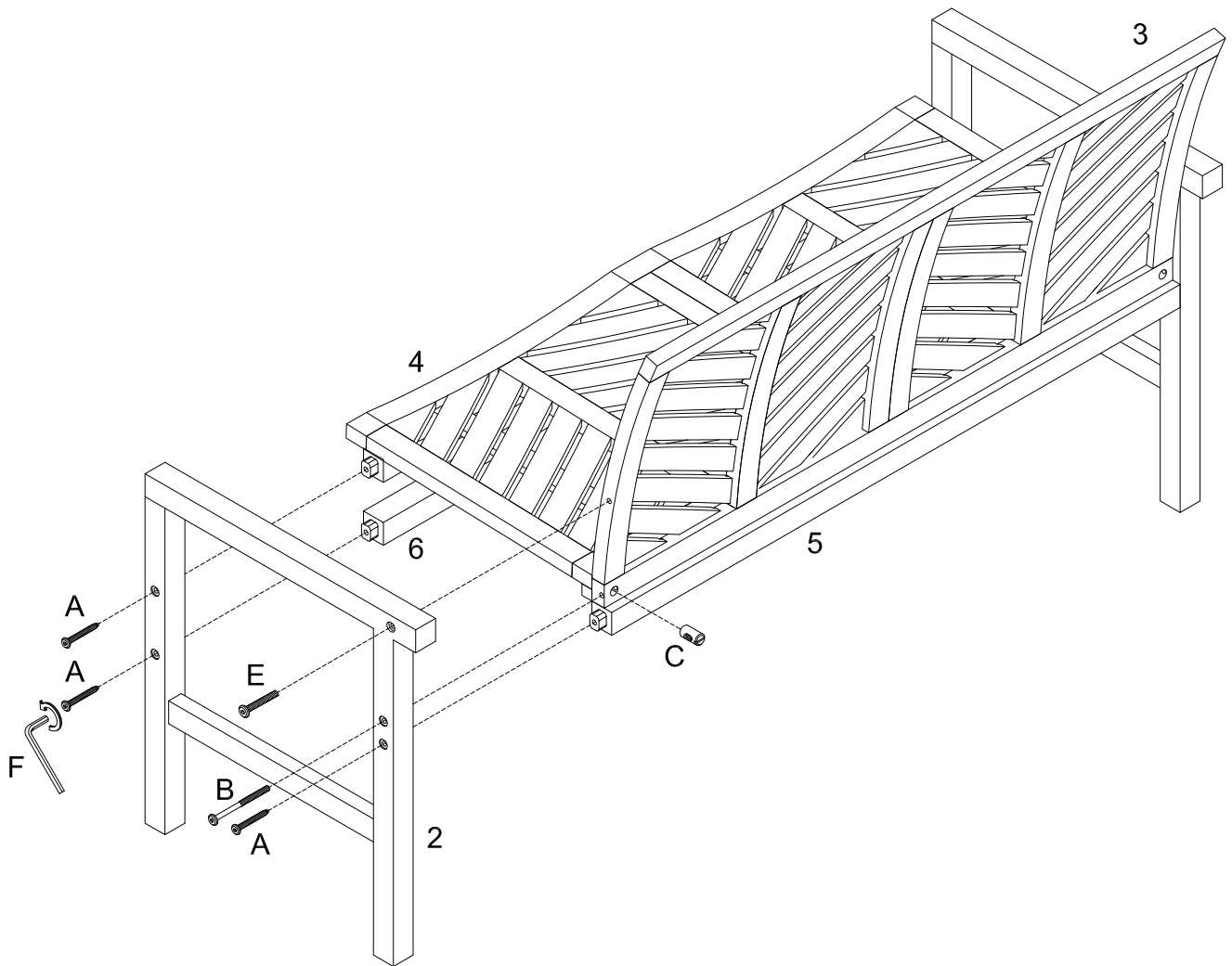
**Use bolt (A) , Hex Key (F) to secure part (1) to part (5).**

# Step 3



**Use Bolt (A) , Hex Key (F) to secure part (1) to seat panel (4), secure part (1) to part (6).**

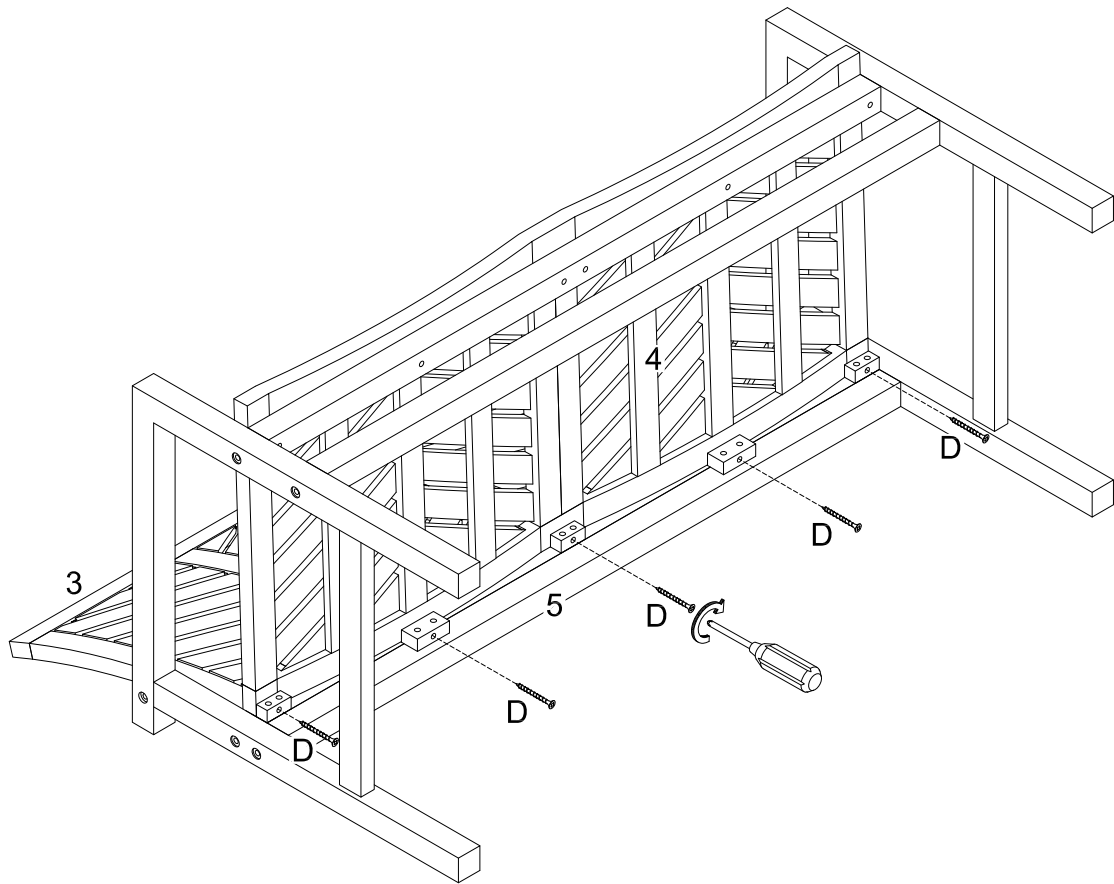
# Step 4



Insert part (C) to part (3), use Bolt (A), (B), (E), Hex Key (F) to secure Part (2) to back panel (3), seat panel (4) and part (6) .



# Step 5



**Use screw (D) and a screwdriver to secure seating panel (4) to support bar (5).**

# Step 6



## Final Assembly