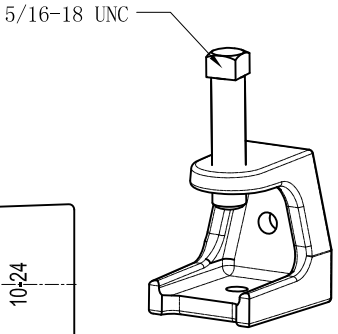
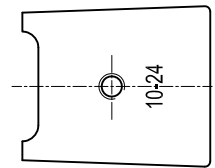
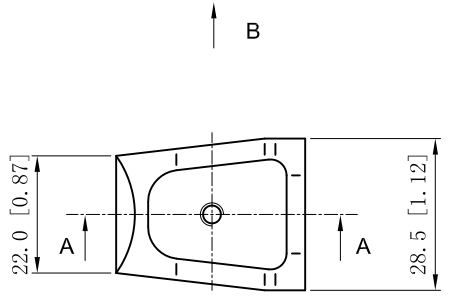
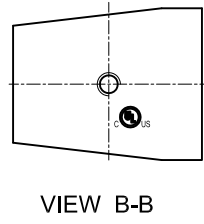
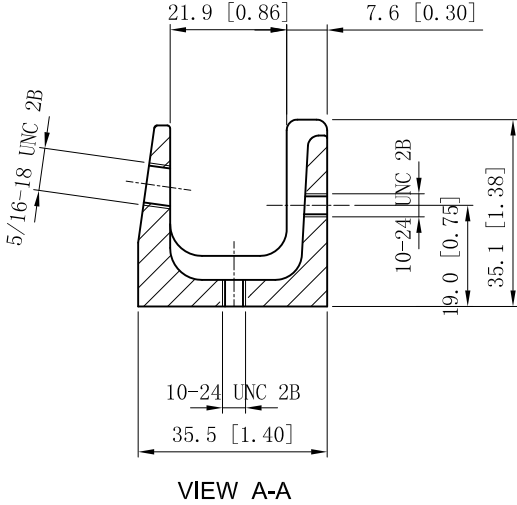
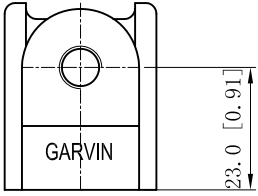


SIDES	BOTTOM
1 PCS 5/16-18×1 1/4 Screws Installed	
Material:Steel-Malleable Casting Galvanized	



DESCRIPTION
TRADE REFERENCE TERMS

STANDARD PACKING		<p>This data sheet is for reference only .GARVIN INDUSTRIES reserves the right to make changes to the design without prior notice.</p> <h1 style="text-align: center;">GARVIN INDUSTRIES</h1>	
100 PCS	TITLE		MBC-1024
	MALLEABLE IRON BEAM CLAMPS		
SIZE	DWG NO.	REV	
A4	MBC-1024	B	
DATA SHEET			