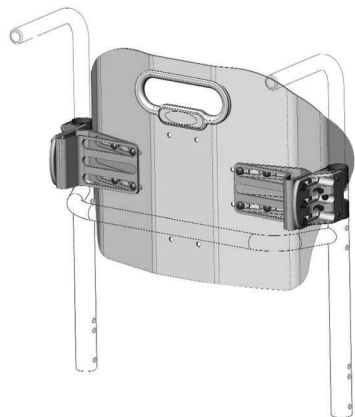
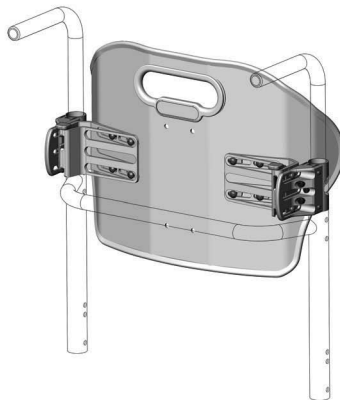




Invacare® **Matrix**® MX1

Model IMX1

Back Cushion



EN



This manual MUST be given to the user of the product.

BEFORE using this product, read this manual and save for future reference.



Yes, you can.®

CE This product complies with Directive 93/42/EEC concerning medical devices.
The launch date of this product is stated in the CE declaration of conformity.

© 2011 Motion Concepts. All rights reserved. Republication, duplication or modification in whole or in part is prohibited without prior written permission from Motion Concepts. Trademarks are identified by [™] and [®]. All trademarks are owned by or licensed to Motion Concepts or its subsidiaries unless otherwise noted.

1 GENERAL 4

Symbols4

Overview4

 Important Information4

 Invacare Matrix MX14

 Outer Cover5

Limited Warranty - North America5

2 SAFETY 6

General Guidelines6

Intended Use.....6

Installation Information.....6

Operating Information7

Weight Limitation and Model Numbers.....7

3 MONO MOUNT 8

Installation Overview8

 Included Items.....8

 Tools Required8

 Before Installation8

 Installing the Mounting Hardware.....9

 Installing the Tracking Plate on the Back Shell11

 Installing the Back Shell onto the Mounting Hardware.....12

 Adjusting the Back Height.....12

 Adjusting the Back Angle.....13

 Removing the Mono Mount Hardware.....14

4 FIXED DUAL MOUNT 15

Installation Overview15

 Included Items.....15

 Tools Required15

 Before Installation15

 Installing the Angle Adjustable Brackets onto the Back Shell.....16

 Clamp Body Adjustment.....16

 Installing the Band Clamps.....17

 Installing the Back.....17

 Adjusting the Back Height.....19

 Adjusting the Back Angle and Back Depth.....20

 After Installation20

5 QUICK RELEASE DUAL MOUNT 21

Installation Overview21

 Included Items21

 Tools Required21

 Before Installation21

 Installing the Adjustable Mounting Brackets onto the Back Shell22

 Loosening the Compression Bar.....22

 Installing the Band Clamps.....23

 Securing the Clamp Body to the Band Clamp23

 Securing the Clamp Body Assembly to the Back Cane24

 Installing the Back.....25

 Adjusting the Back Height.....26

 Adjusting the Back Angle and Back Depth.....27

 After Installation27

 Removing the Back Cushion.....27

6 OPTIONS 28

Installing/Adjusting the Lumbar Support28

Plug Inserts28

Adhesive Pads.....28

Installing the Optional Privacy Flap.....29

7 MAINTENANCE 30

Cleaning.....30

 General Cleaning.....30

 Laundering.....30

Inspection.....30

Reuse.....30

I General

I.1 Symbols

Signal words are used in this manual and apply to hazards or unsafe practices which could result in personal injury or property damage. See the information below for definitions of the signal words.



WARNING

Warning indicates a potentially hazardous situation which, if not avoided, could result in death or serious injury.



CAUTION

Caution indicates a potentially hazardous situation which, if not avoided, may result in property damage or minor injury or both.



Gives useful tips, recommendations and information for efficient, trouble-free use.

I.2 Overview

Important Information

The best way to avoid problems related to pressure sores is to understand their causes and your role in a skin management program.

Your therapist and physician should be consulted if you have questions regarding individual limitations and needs.

All cushions should be selected carefully. Working with your therapist and physician is the best way to assure that a cushion choice matches your individual needs.

As the needs of the individual become more complex, cushion evaluation becomes more important.

Invacare Matr^x MXI

The Invacare Matr^x MXI back is contoured to provide precise orientation within the wheelchair for optimal postural support. The foam is oversized to provide extra comfort and protection.

The Invacare Matr^x MXI back includes a movable foam lumbar pad that can be installed/inserted behind the existing foam cushion to provide additional positioning capability. Refer to [Options](#) on page 28 for instructions on how to insert and adjust your lumbar support.

Outer Cover

The outer cover is made of a mesh material that is moisture resistant and breathable. Regular cleaning and inspection of the outer cover is recommended. Refer to Cleaning on page 30.

1.3 Limited Warranty - North America



PLEASE NOTE: THE WARRANTY BELOW HAS BEEN DRAFTED TO COMPLY WITH FEDERAL LAW APPLICABLE TO PRODUCTS MANUFACTURED AFTER JULY 4, 1975.

This warranty is extended only to the original purchaser/user of our products.

This warranty gives you specific legal rights and you may also have other legal rights which vary from state to state.

Invacare/Motion Concepts warrants this product to be free from defects in materials and workmanship for two years of use by original purchaser. This warranty does not apply to punctures, tears or burns, nor to the removable cushion cover. If within such warranty period any such product shall be proven to be defective, such product shall be repaired or replaced, at Invacare's/Motion Concepts' option, with refurbished or new parts. This warranty does not include any labor or shipping charges incurred in replacement part installation or repair of any such product. Product repairs shall not extend this warranty - coverage for repaired product shall end when this limited warranty terminates. Invacare's/Motion Concepts' sole obligation and your exclusive remedy under this warranty shall be limited to such repair and/or replacement.

For warranty service, please contact the dealer from whom you purchased your Invacare/Motion Concepts product. In the event you do not receive satisfactory warranty service, please write directly to Invacare/Motion Concepts at the address on the back cover. Provide dealer's name, address, model number, the date of purchase, indicate nature of the defect and, if the product is serialized, indicate the serial number.

Invacare Corporation/Motion Concepts will issue a return authorization. The defective unit or parts must be returned for warranty inspection using the serial number, when applicable, as identification within thirty (30) days of return authorization date. DO NOT return products to our factory without our prior consent. C.O.D. shipments will be refused; please prepay shipping charges.

LIMITATIONS AND EXCLUSIONS: THE WARRANTY SHALL NOT APPLY TO PROBLEMS ARISING FROM NORMAL WEAR OR FAILURE TO ADHERE TO THE ENCLOSED INSTRUCTIONS. IN ADDITION, THE FOREGOING WARRANTY SHALL NOT APPLY TO SERIAL NUMBERED PRODUCTS IF THE SERIAL NUMBER HAS BEEN REMOVED OR DEFACTED; PRODUCTS SUBJECTED TO NEGLIGENCE, ACCIDENT, IMPROPER OPERATION, MAINTENANCE OR STORAGE; OR PRODUCTS MODIFIED WITHOUT INVACARE'S/MOTION CONCEPTS' EXPRESS WRITTEN CONSENT INCLUDING, BUT NOT LIMITED TO: MODIFICATION THROUGH THE USE OF UNAUTHORIZED PARTS OR ATTACHMENTS; PRODUCTS DAMAGED BY REASON OF REPAIRS MADE TO ANY COMPONENT WITHOUT THE SPECIFIC CONSENT OF INVACARE/MOTION CONCEPTS; PRODUCTS DAMAGED BY CIRCUMSTANCES BEYOND INVACARE'S/MOTION CONCEPTS' CONTROL; PRODUCTS REPAIRED BY ANYONE OTHER THAN AN INVACARE/MOTION CONCEPTS DEALER, SUCH EVALUATION SHALL BE SOLELY DETERMINED BY INVACARE/MOTION CONCEPTS.

THE FOREGOING WARRANTY IS EXCLUSIVE AND IN LIEU OF ALL OTHER EXPRESS WARRANTIES, IF ANY, INCLUDING THE IMPLIED WARRANTIES OF MERCHANTABILITY AND FITNESS FOR A PARTICULAR PURPOSE.

IT SHALL NOT EXTEND BEYOND THE DURATION OF THE EXPRESSED WARRANTY PROVIDED HEREIN AND THE REMEDY FOR VIOLATIONS OF ANY IMPLIED WARRANTY SHALL BE LIMITED TO REPAIR OR REPLACEMENT OF THE DEFECTIVE PRODUCT PURSUANT TO THE TERMS CONTAINED HEREIN. INVACARE/MOTION CONCEPTS SHALL NOT BE LIABLE FOR ANY CONSEQUENTIAL OR INCIDENTAL DAMAGES WHATSOEVER. THIS WARRANTY SHALL BE EXTENDED TO COMPLY WITH STATE/PROVINCIAL LAWS AND REQUIREMENTS.

2 Safety

The Safety section contains important information for the safe operation and use of this product.

2.1 General Guidelines



WARNING

DO NOT use this product or any available optional equipment without first completely reading and understanding these instructions and any additional instructional material such as owner's manuals, service manuals or instruction sheets supplied with this product or optional equipment. If you are unable to understand the warnings, cautions or instructions, contact a healthcare professional, dealer or technical personnel before attempting to use this equipment - otherwise, injury or damage may occur.



ACCESSORIES WARNING

Invacare products are specifically designed and manufactured for use in conjunction with Invacare accessories. Accessories designed by other manufacturers have not been tested by Invacare and are not recommended for use with Invacare products.



NOTICE

THE INFORMATION CONTAINED IN THIS DOCUMENT IS SUBJECT TO CHANGE WITHOUT NOTICE.

Check all parts for shipping damage before using. In case of damage, DO NOT use the equipment. Contact the Dealer for further instructions.

2.1 Intended Use

The Invacare Matrix MXI back is designed to provide precise orientation within the wheelchair for optimal postural support.

2.2 Installation Information



WARNING

The procedures in this manual should be performed by a qualified technician.

After any adjustments, repair or service and before use, make sure that all attaching component parts are secure.

DO NOT install the Invacare Matrix MXI assembly onto back canes with an outside diameter greater than 1-inch or less than 3/4-inch. Otherwise, injury or damage may occur.

The mounting position of the Invacare Matrix MXI is directly related to the chair's stability. Use extreme caution when using a new seating position.

Ensure the Invacare Matrix MXI is properly secured to the wheelchair before using. Otherwise injury or damage may occur.

2.3 Operating Information



WARNING

Skin condition should be checked very frequently after the installation of any new seating system.

Your therapist and physician should be consulted if you have any questions regarding individual limitations and needs.

Working with your therapist, physician, and equipment supplier is the best way to assure that a seating choice matches your individual needs.

As the needs of the individual become more complex, the seating evaluation becomes more important.

2.4 Weight Limitation and Model Numbers



Refer to the chart for the weight limitation and stock model numbers.

RM = Mono Mount (installs onto rigidizer bar)

CF = Fixed Dual Mount (installs onto back canes)

*Configured model number: IMX1 (includes Mono Mount, Fixed Dual Mount and Quick Release Dual Mount)

WIDTH	HEIGHT			WEIGHT LIMIT
	9 IN (23 CM)	12 IN (30 CM)	16 IN (41 CM)	
14 in (36 cm)	IMX11409-RM	IMX11412-RM	IMX11416-RM	250 lbs (113 kg)
	IMX11409-CF	IMX11412-CF	IMX11416-CF	
15 in (38 cm)	IMX11509-RM	IMX11512-RM	IMX11516-RM	
	IMX11509-CF	IMX11512-CF	IMX11516-CF	
16 in (41 cm)	IMX11609-RM	IMX11612-RM	IMX11616-RM	
	IMX11609-CF	IMX11612-CF	IMX11616-CF	
17 in (43 cm)	IMX11709-RM	IMX11712-RM	IMX11716-RM	
	IMX11709-CF	IMX11712-CF	IMX11716-CF	
18 in (46 cm)	IMX11809-RM	IMX11812-RM	IMX11816-RM	
	IMX11809-CF	IMX11812-CF	IMX11816-CF	
14 in (36 cm) - 18 in (46 cm)	IMX1*			

3 Mono Mount

3.1 Installation Overview



If any of the hardware is missing or misplaced, please contact our customer service department and arrangements will be made to send you the necessary replacements.

Invacare

USA: 800-333-6900

Canada: 800-668-5324

Motion Concepts

Canada: 866-748-7943

USA: 888-433-6818

Included Items

- Back Shell with Foam and Cover
- Rigidizer Bracket
- Tracking Plate
- Band Clamp Assemblies

3.2 Tools Required

- Tape measure/ruler
- 4mm hex key (provided)

3.3 Before Installation



WARNING

Before beginning the installation process, please fully read through the instructions to understand the steps and adjustments involved. If you have any questions or concerns during the installation process, please contact our customer service department.



3.4 Installing the Mounting Hardware

i For ease of installation, install the mounting bracket hardware onto the rigidizer bar first. The MXI back cushion can be installed onto the rigidizer bracket after the mounting hardware is installed.

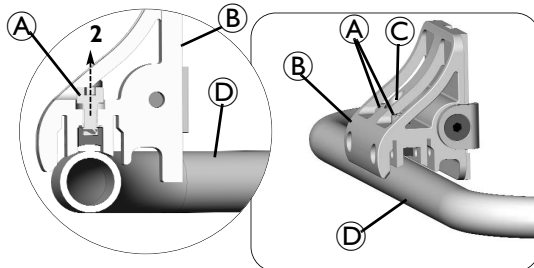
1. Remove any existing wheelchair back, back upholstery or back cane hardware. Refer to the user manual that came with the wheelchair or back upholstery.
2. Loosen the compression bar hardware **A** inside the rigidizer bracket **B**.



WARNING

DO NOT adjust the center screw in the rigidizer bracket. The center screw **C** is designed only to hold the compression bar in place during installation. Adjusting this screw may prevent the compression bar from tightening properly onto the back cane.

i The compression bar hardware must be loosened to ensure the rigidizer bracket rests flush against the rigidizer bar **D**.
The rigidizer bar is shown in the illustration for reference only.



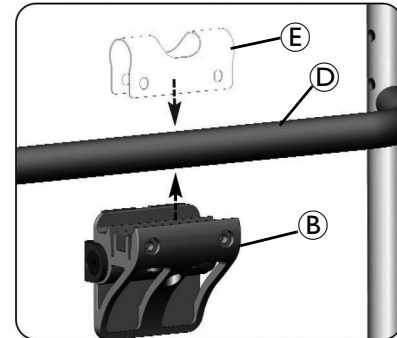
3. Install the band clamp **E** onto the rigidizer bar **D** in the desired orientation.



The rigidizer bracket is secured to the rigidizer bar via a band clamp. Each hardware kit comes equipped with one of three differently sized band clamps.

9-inch (23 cm) Tall MXI Back Cushions Only:

In order to optimize the available height adjustment on the back cushion, it may be necessary to invert the rigidizer bracket during installation as shown below.

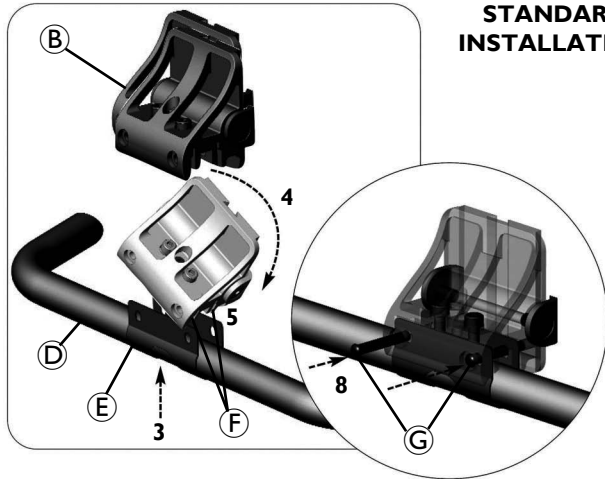


3 MONO MOUNT

4. Position the rigidizer bracket (B) at a 45° angle to the band clamp.
5. Align the edges of the clamp with the corresponding slots (F) in the rigidizer bracket.
6. Carefully slide the rigidizer bracket onto the band clamp.
7. Ensure the clamp is fully engaged in the slots in the rigidizer bracket.
8. Insert the two locking pins (G) into the rigidizer bracket to hold the band clamp in place.
9. Ensure the pins are fully inserted into the rigidizer bracket.

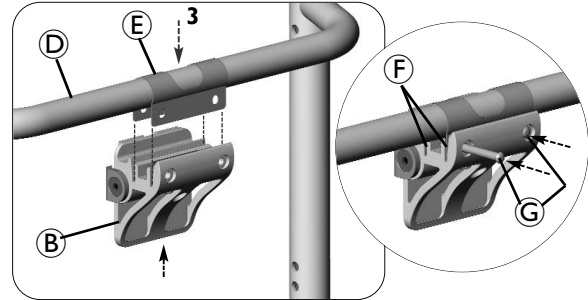


The pins should slide into position with little effort. If the pins are difficult to insert, verify that the band clamp is properly centered and fully seated inside the slots of the rigidizer bracket.



STANDARD INSTALLATION

OPTIONAL INVERTED POSITION FOR 9" (23 CM) TALL BACKS



10. Center the bracket between the back canes.
11. Tighten the compression bar hardware (A) just snug enough to hold the bracket assembly in place.



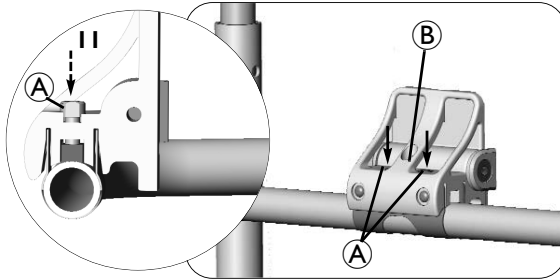
WARNING

DO NOT adjust the center screw in the rigidizer bracket. The center screw (B) is designed only to hold the compression bar in place during installation. Adjusting this screw may prevent the compression bar from tightening properly onto the back cane.



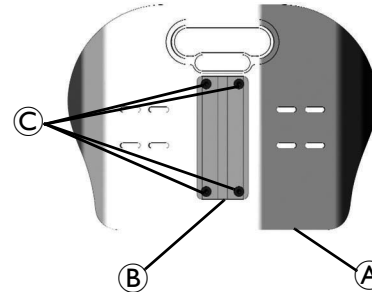
Do not fully tighten the compression bar at this time.

12. Install the tracking plate. Refer to [Installing the Tracking Plate on the Back Shell](#) on page 11.



3.5 Installing the Tracking Plate on the Back Shell

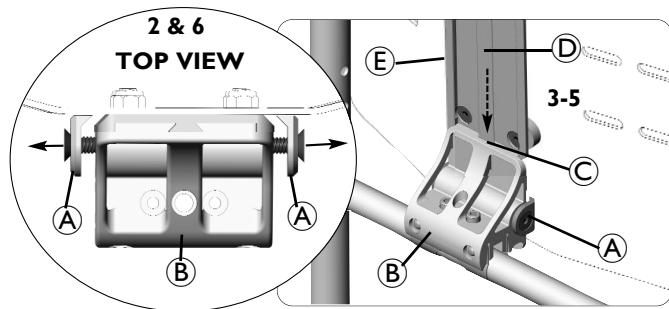
1. Disengage the cover (not shown) from the top and bottom of the back shell (A).
2. Remove the cushion and cover from the back shell.
3. Secure the tracking plate (B) to the back using the four screws (C), washers (not shown) and nuts (not shown). Tighten securely.
4. Secure the cushion and cover to the top of the back shell.
5. Secure the cushion and cover to the inside of the back shell.
6. Install the back shell.



3 MONO MOUNT

3.6 Installing the Back Shell onto the Mounting Hardware

1. If necessary, disengage the outer cover hook and loop strip at the bottom rear of the back (not shown).
2. Loosen the two locking wedge washers (A) on each side of the rigidizer bracket (B).
3. Align the notched channel (C) in the bracket with the corresponding raised area (D) on the mounting rail (E).
4. Slide the mounting rail onto the rigidizer bracket.
5. Adjust the back cushion to the desired height along the channels in the mounting rail.
6. Tighten the locking wedge washers on each side of the rigidizer bracket to secure the back into position.
7. Adjust the back height. Refer to [Adjusting the Back Height](#) on page 12.



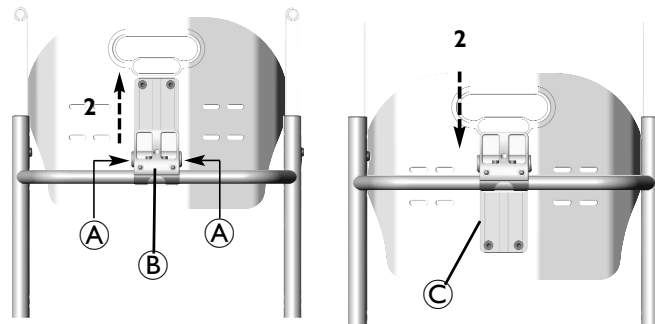
3.7 Adjusting the Back Height



9-inch (23 cm) Tall MXI Back Cushions Only:

In order to optimize the available height adjustment on the back cushion, it may be necessary to invert the rigidizer bracket during installation. Refer to [Installing the Mounting Hardware](#) on page 9.

1. Loosen the two locking wedge washers (A) on each side of the rigidizer bracket (B).
2. Adjust the back cushion to the desired height along the channels in the mounting rail (C).
3. Tighten the locking wedge washers on each side of the rigidizer bracket to secure the back into position.
4. Adjust the back angle. Refer to [Adjusting the Back Angle](#).



3.8 Adjusting the Back Angle

1. Loosen the compression bar hardware (A).
2. Rotate the back cushion (B) around the rigidizer bar (C) to the desired position.
3. Tighten the compression bar hardware to secure the back cushion in position.



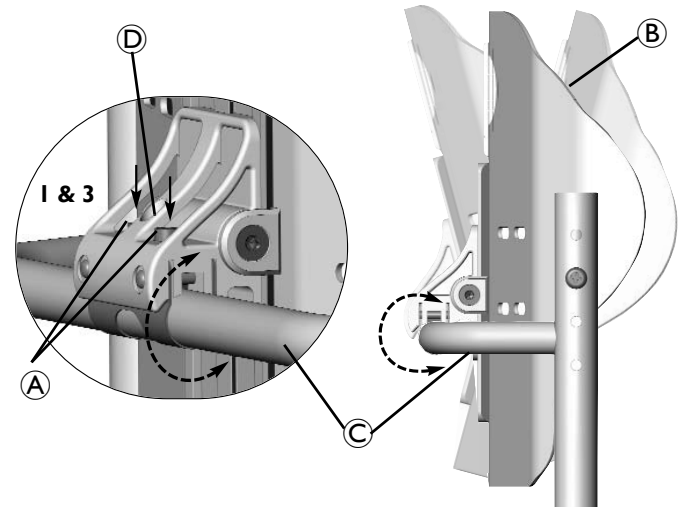
WARNING

DO NOT adjust the center screw in the rigidizer bracket. The center screw (D) is designed only to hold the compression bar in place during installation. Adjusting this screw may prevent the compression bar from tightening properly onto the back cane.



When tightening the compression bar hardware, alternate back and forth between the two mounting screws to ensure the compression bar is fully secured.

4. Verify that all mounting hardware is properly tightened and the back is held firmly in place on the rigidizer bar.



3 MONO MOUNT

3.9 Removing the Mono Mount Hardware

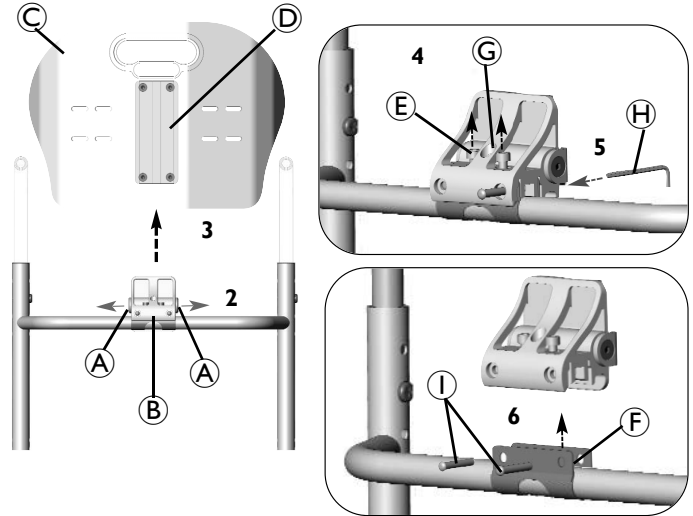
1. Open the cushion cover at the bottom of the back cushion (not shown).
2. Loosen the locking wedge washers (A) on either side of the rigidizer bracket (B).
3. Slide the back cushion (C) upward until the mounting rail (D) is disengaged from the rigidizer bracket.
4. Loosen the compression bar hardware (E) to loosen the band clamp (F).



WARNING

DO NOT adjust the center screw in the rigidizer bracket. The center screw (C) is designed only to hold the compression bar in place during installation. Adjusting this screw may prevent the compression bar from tightening properly onto the back cane.

5. Use a hex key (H) to push out the locking pins (I) from the rigidizer bracket.
6. Separate the rigidizer bracket from the band clamp.



4 Fixed Dual Mount

4.1 Installation Overview



If any of the hardware is missing or misplaced, please contact our customer service department and arrangements will be made to send you the necessary replacements.

Invacare

USA: 800-333-6900

Canada: 800-668-5324

Motion Concepts

Canada: 866-748-7943

USA: 888-433-6818

Included Items

- Back Shell with Foam and Cover
- Angle Adjustable Brackets
- Band Clamp Assemblies

4.2 Tools Required

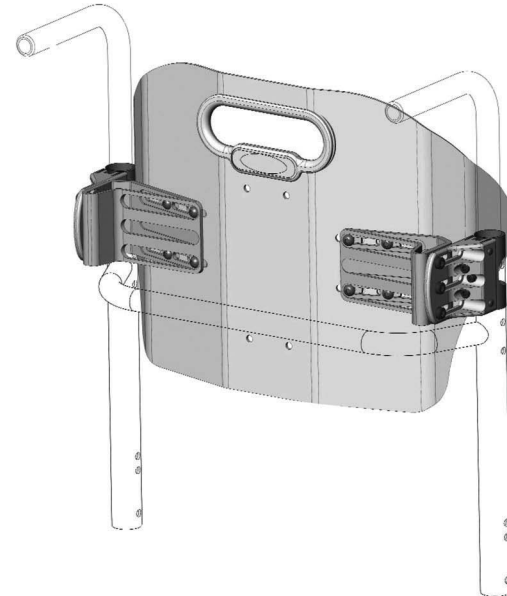
- Tape measure/ruler
- 4mm hex key (provided)

4.3 Before Installation



WARNING

Before beginning the installation process, please fully read through the instructions to understand the steps and adjustments involved. If you have any questions or concerns during the installation process, please contact our customer service department.



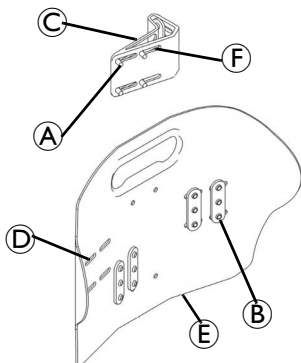
4 FIXED DUAL MOUNT

4.4 Installing the Angle Adjustable Brackets onto the Back Shell

1. Remove any existing wheelchair back, back upholstery or back cane hardware.
2. Remove the four hex screws (A) and washers (not shown) securing the two backing plates (B) to the angle adjustable bracket (C).
3. Align the angle adjustable bracket with the slots (D) on one side of the back shell (E).

i The angle adjustable bracket should be oriented with the four slots (F) against the back shell.

4. Place the four washers onto the hex screws.
5. Loosely attach the angle adjustable bracket to the back shell using the two backing plates, four hex screws and four washers. Do not tighten the hex screws at this time.
6. Repeat STEPS 2-5 for the other bracket.



4.5 Clamp Body Adjustment

The clamp body is pre-installed onto the angle adjustable bracket at the factory.

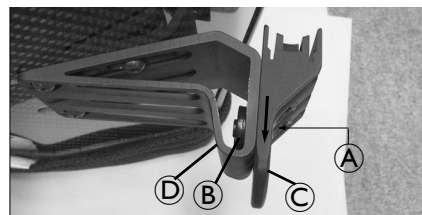
The clamp body (C) is secured to the angle adjustable bracket (D) via three screws (A), three washers (not shown) and a backing plate (B).

For most typical installations, the clamp body can remain secured in place on the angle adjustable bracket in order to complete the installation of the band clamp (refer to [Installing the Band Clamps](#)).

Where necessary, the clamp body may be repositioned by performing this procedure.

1. Loosen the three screws (A).
2. Slide the clamp body (C) along the slot of the angle adjustable bracket. Refer to [Adjusting the Back Angle and Back Depth](#) on page 20.
3. Repeat STEPS 1-3 for the opposite side.

i After any adjustment, re-tighten the three screws to secure the clamp body to the angle adjustable bracket.

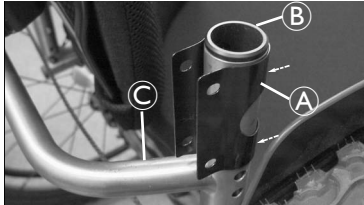


4.6 Installing the Band Clamps

1. Install the two band clamps (A) onto the back canes (B) of the wheelchair.

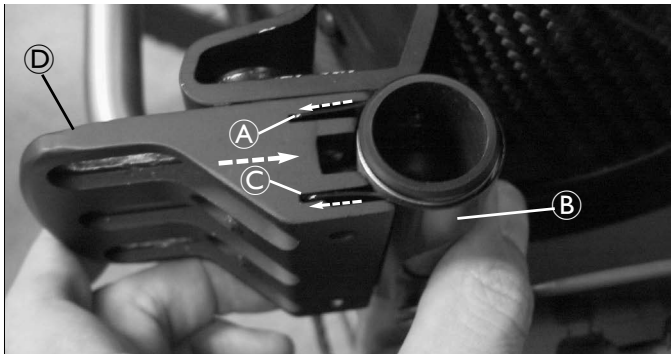


Allow the band clamps to rest on the rigidizer bar (C).



4.7 Installing the Back

1. Align and insert the tabs (A) on the band clamp (B) with the slots (C) in the clamp body (D).
2. Ensure the band clamp is fully inserted into the clamp body.



3. Loosen the compression bar hardware (E), so the clamp body rests flush against the back cane.



WARNING

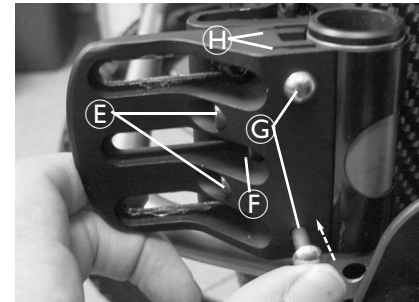
DO NOT adjust the center screw in the clamp body. The center screw (F) is designed only to hold the compression bar in place during installation. Adjusting this screw may prevent the compression bar from tightening properly onto the back cane.

4. Insert the two locking pins (G) into the clamp body to lock the band clamp in position.



The pins should slide into position with little effort. If the pins are difficult to insert, verify that the band clamp is properly centered and fully seated inside the slots (H) of the clamp body.

5. Ensure both locking pins are fully inserted.



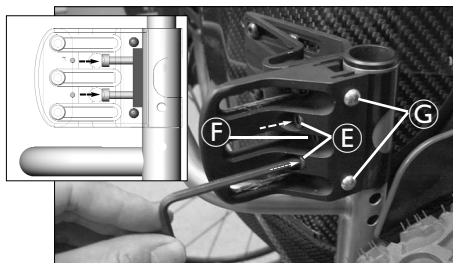
4 FIXED DUAL MOUNT

6. Tighten the compression bar hardware (E) to hold the locking pins (G) in place. Do not fully tighten the hardware at this time.



WARNING

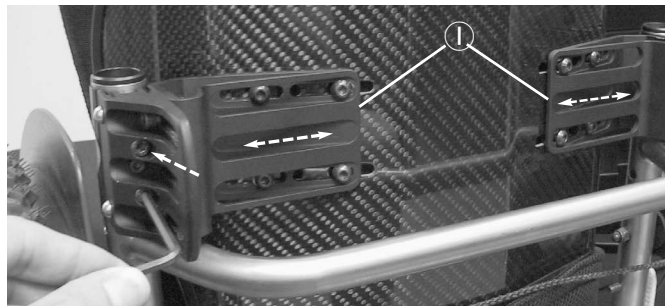
DO NOT adjust the center screw in the clamp body. The center screw (E) is designed only to hold the compression bar in place during installation. Adjusting this screw may prevent the compression bar from tightening properly onto the back cane.



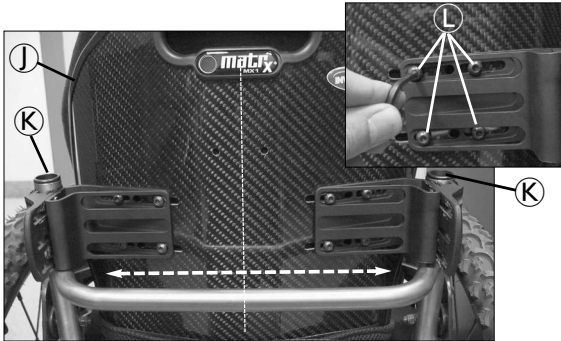
7. Repeat STEPS 1-6 to install the back onto the remaining band clamp.



It may be necessary to slide the angle adjustable brackets (I) to allow the clamp body to properly align with the band clamp.



8. Adjust the back shell ① so it is centered between the back canes ②.
9. Tighten the eight screws ③ securing the angle adjustable brackets ④ to the back shell.



4.8 Adjusting the Back Height

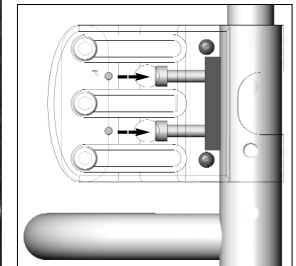
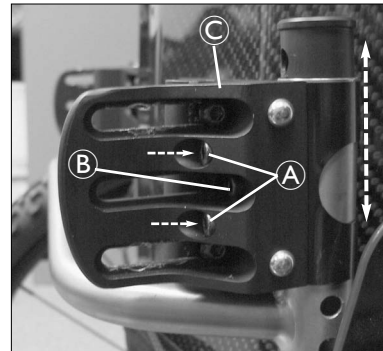
1. Loosen the compression bar hardware ①.



WARNING

DO NOT adjust the center screw in the clamp body. The center screw ② is designed only to hold the compression bar in place during installation. Adjusting this screw may prevent the compression bar from tightening properly onto the back cane.

2. Adjust the back to the desired height.
 - ⓘ Height adjustments must be made equally on both back canes.
3. Tighten the compression bar hardware to secure the clamp bodies ③ in place.
 - ⓘ When re-tightening the compression bar hardware, alternate back and forth between the screws until the compression bar is fully secured.



4 FIXED DUAL MOUNT

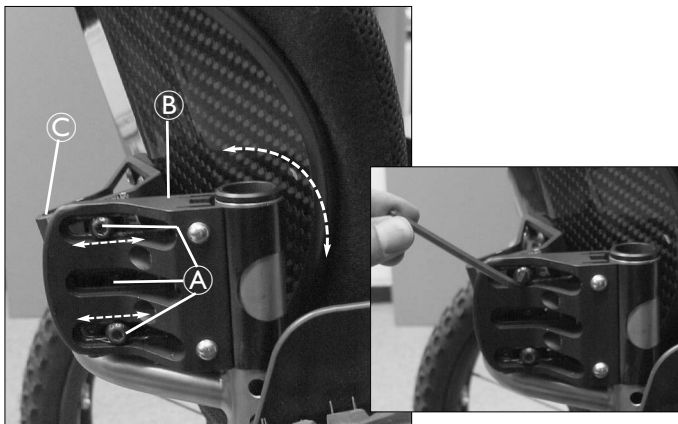
4.9 Adjusting the Back Angle and Back Depth

1. Loosen the screws **A** on the side of both clamp bodies **B**.
2. Adjust the angle adjustable brackets **C** in the clamp bodies to achieve the desired back angle and back depth.



Angle and depth adjustments must be made equally on both sides.

3. Tighten the screws on both clamp bodies to secure the back into position.



4.10 After Installation

1. Verify that all mounting hardware is fully tightened.
2. Ensure that the back is securely attached to the wheelchair.

5 Quick Release Dual Mount

5.1 Installation Overview



If any of the hardware is missing or misplaced, please contact our customer service department and arrangements will be made to send you the necessary replacements.

Invacare

USA: 800-333-6900

Canada: 800-668-5324

Motion Concepts

Canada: 866-748-7943

USA: 888-433-6818

Included Items

- Back Shell with Foam and Cover
- Adjustable Mounting Bracket
- Band Clamps

5.2 Tools Required

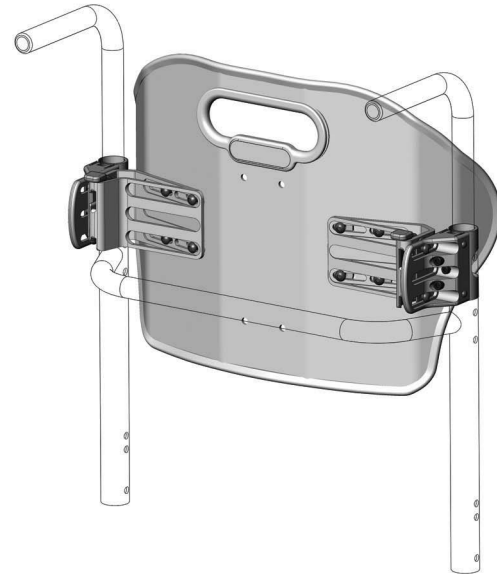
- Tape measure/ruler
- 4mm hex key (provided)

5.3 Before Installation



WARNING

Before beginning the installation process, please fully read through the instructions to understand the steps and adjustments involved. If you have any questions or concerns during the installation process, please contact our customer service department.



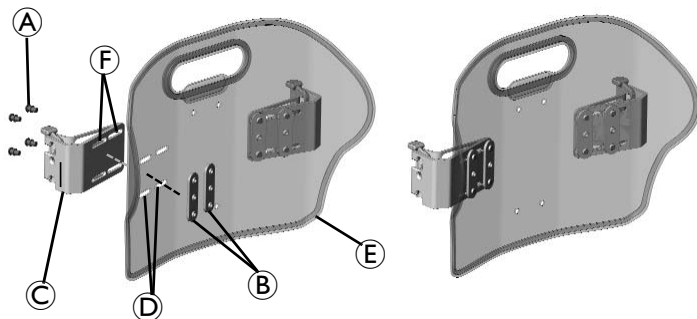
5 QUICK RELEASE DUAL MOUNT

5.4 Installing the Adjustable Mounting Brackets onto the Back Shell

1. Remove any existing wheelchair back, back upholstery or back cane hardware.
2. Remove the four hex screws **A** and washers (not shown) securing the two backing plates **B** to the adjustable mounting bracket **C**.
3. Align the adjustable mounting bracket with the slots **D** on one side of the back shell **E**.

i The adjustable mounting bracket should be oriented with the four slots **F** against the back shell.

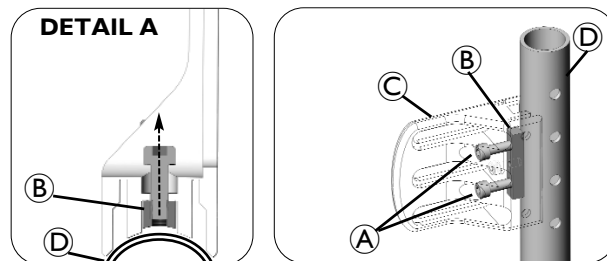
4. Place the four washers onto the hex screws.
5. Loosely attach the adjustable mounting bracket to the back shell using the two backing plates, four hex screws and four washers. Do not tighten the hex screws at this time.
6. Repeat STEPS 2-5 for the other bracket.



5.5 Loosening the Compression Bar

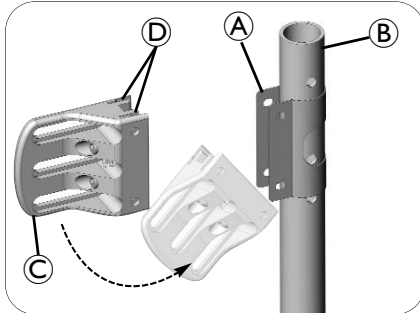
1. Loosen the two screws **A** securing the compression bar **B** to the clamp body **C**.

i Loosening the compression bar allows the clamp body to sit flush against the back cane **D** prior to installation (Detail A).



5.6 Installing the Band Clamps

1. Install the two band clamps (A) onto the back canes (B) of the wheelchair.
2. Install the clamp body (C) onto the band clamp at a 45° angle by aligning the edges of the clamp with the corresponding slots (D) in the clamp body.
3. Carefully slide the two components together.
4. Ensure that the clamp is fully inserted inside the slots on the clamp body.



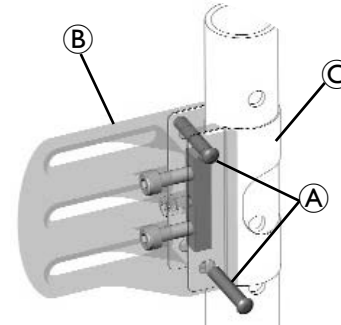
5.7 Securing the Clamp Body to the Band Clamp

1. Insert the two locking pins (A) into the clamp body (B) to secure it to the band clamp (C).



The pins should slide into position with little effort. If pins are difficult to insert, verify that the band clamp is properly centered and fully inserted inside the slots of the mounting bracket.

2. Ensure the pins are fully seated into the clamp body.
3. Repeat STEPS 1-2 for the opposite side.



5 QUICK RELEASE DUAL MOUNT

5.8 Securing the Clamp Body Assembly to the Back Cane

1. Slide the clamp body assembly (A) to the desired height on the back cane (B) (Detail A).
2. Hold the clamp body assembly perpendicular to the back of the wheelchair (parallel to the rear wheel).



WARNING

DO NOT adjust the center screw in the clamp body. The center screw (C) is designed only to hold the compression bar in place during installation (Detail B). Adjusting this screw may prevent the compression bar from tightening properly onto the back cane.

3. Tighten the two screws (D) to push the compression bar (E) against the back cane and secure the clamp body in place.



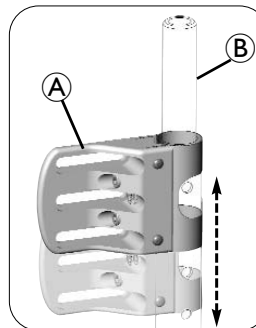
When re-tightening the compression bar hardware, alternate back and forth between the screws until the compression bar is fully secured.

4. Repeat STEPS 1-3 for the opposite clamp body assembly.

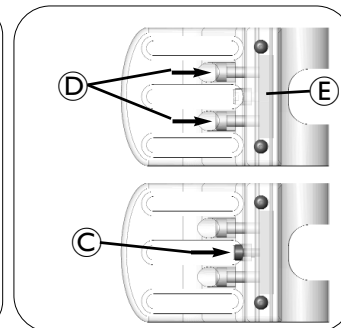


The clamp bodies must be at the same height on each side of the back cane. Otherwise the back may not install correctly or at all.

DETAIL A



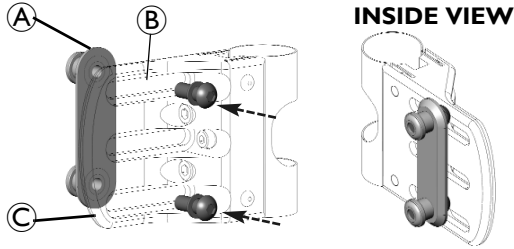
DETAIL B



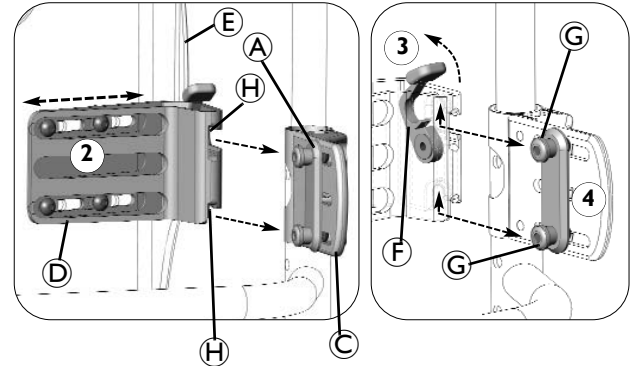
5.9 Installing the Back



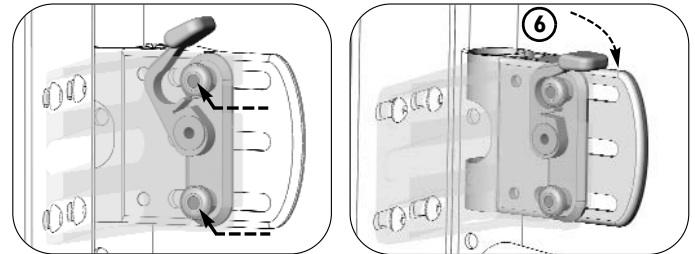
The instructions in this section apply to both sets of mounting hardware. The right side is pictured in the figures in this procedure. The mounting pin assembly **A** is secured to the slots **B** of the clamp body **C**.



1. Loosen the four mounting screws securing the adjustable mounting bracket **D** to the back pan **E**.
2. Adjust the width of the adjustable mounting bracket so that it aligns with the mounting pin assembly on the clamp body.
3. Lift the lever **F** on the adjustable mounting bracket to unlock it.
4. Insert the upper and lower pins **G** into the notches **H** in the adjustable mounting bracket.

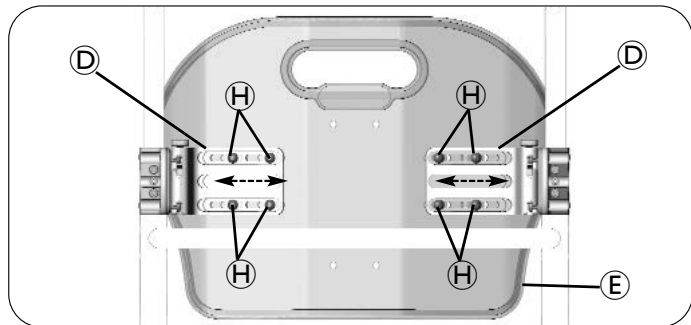


5. Push down on the back pan to ensure the mounting pins are properly seated inside the notched recess of the adjustable mounting bracket.
6. Press the lever down to lock the back pan into place.



5 QUICK RELEASE DUAL MOUNT

- Adjust the back position in the slots of the adjustable mounting brackets to center the back pan (E) between the back canes.
- Tighten the eight hex screws (H) securing the adjustable mounting brackets (D) to the back pan.





5.10 Adjusting the Back Height

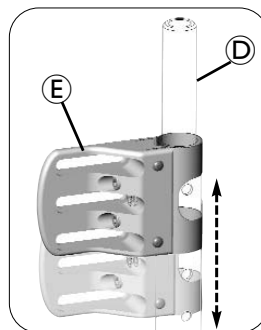


WARNING

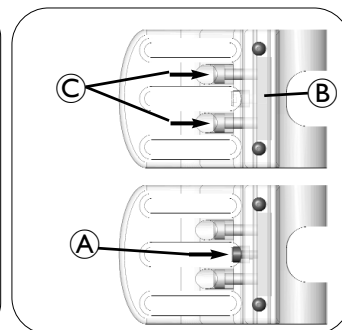
DO NOT adjust the center screw in the clamp body. The center screw (A) is designed only to hold the compression bar (B) in place during installation (Detail B). Adjusting this screw may prevent the compression bar from tightening properly onto the back cane.

- Loosen the compression bar hardware (C) on both back canes (D).
- Adjust the back to the desired height (Detail A).
 -  Height adjustments must be made equally on both back canes.
- Tighten the compression bar hardware to secure the clamp bodies (E) in place.
 -  When re-tightening the compression bar hardware, alternate back and forth between the screws until the compression bar is fully secured.

DETAIL A



DETAIL B



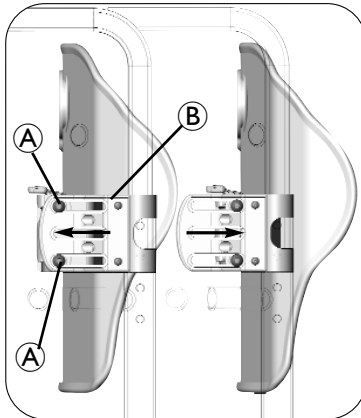
5.11 Adjusting the Back Angle and Back Depth

1. Loosen the screws (A) in the mounting pin assembly of both clamp bodies (B).
2. Adjust the position of the mounting pin assembly via the slots in the clamp bodies to achieve the desired back depth (Detail A) and back angle (Detail B).

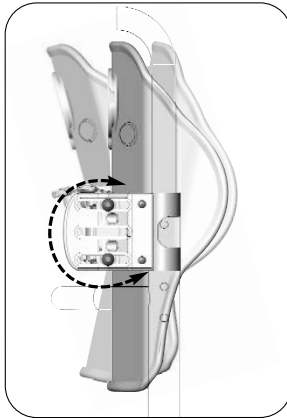
i Angle and depth adjustments must be made equally on both sides.

3. Tighten the screws on both clamp bodies to secure the back into position.

Detail A



Detail B

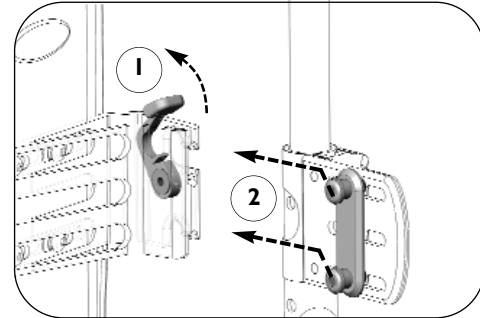


5.12 After Installation

1. Verify that all mounting hardware is fully tightened.
2. Ensure that the back is securely attached to the wheelchair.

5.13 Removing the Back Cushion

1. Unlock the levers on the adjustable mounting brackets.
2. Lift the back cushion up and forward to disengage it from the mounting pins.

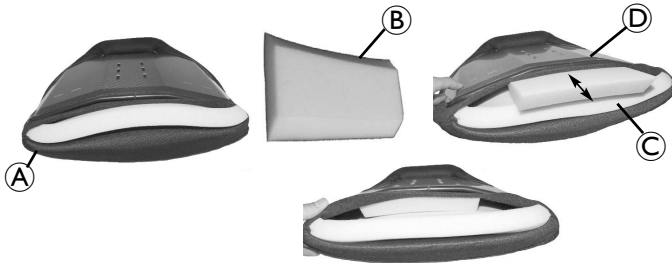


6 Options

6.1 Installing/Adjusting the Lumbar Support

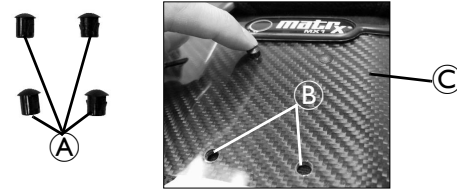
i The Lumbar Support is a pre-fabricated foam insert that provides lower back support for additional comfort. The position of the lumbar insert can be adjusted inside the Invacare MatrX MXI cover, or it may be removed if no lumbar support is desired

1. To access the lumbar support, open the hook and loop fastening strips on the outer cover (A) at the bottom rear of the back shell.
2. The foam lumbar support (B) is installed inside the Invacare MatrX MXI cover between the foam back cushion (C) and the back shell (D).
3. The lumbar support can be adjusted to any desired height/position.
4. Refasten the cover onto the back pan.



6.2 Plug Inserts

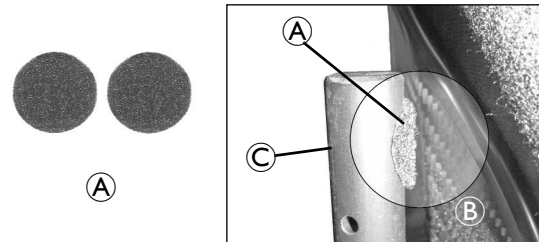
Optional plug inserts (Model DP-250) (A) may be used to fill unused mounting holes (B) on the back shell (C).



6.3 Adhesive Pads

Adhesive pads (A) are available to protect the back shell (B) from scratches.

1. Peel the protective paper off of the back of the adhesive pad.
2. Install the adhesive pad between the back shell and the back cane (C) or other wheelchair component that may rub against the back shell.



6.4 Installing the Optional Privacy Flap

Privacy flaps (A) are available (sold separately) for use with all standard sized MXI backs. All standard sized backs come with a pre-sewn loop strip across the bottom rear of the cushion cover (B) for installation of the privacy flap.

Refer to the chart for proper sizing of the privacy flap for the MXI back.

WIDTH	PRIVACY FLAP
14 in (36 cm)	PFLAP-XS 10" x 16" (26 cm x 41 cm)
15 in (38 cm)	PFLAP-S
16 in (41 cm)	13" x 16" (33 cm x 41 cm)
17 in (43 cm)	PFLAP-M
18 in (46 cm)	15" x 16" (38 cm x 41 cm)

1. If installed, remove the seat cushion.
2. Ensure the back is adjusted to the desired height. Refer to [Adjusting the Back Height](#) on page 12, [Adjusting the Back Height](#) on page 19 or [Adjusting the Back Height](#) on page 26.
3. Position the wheelchair in front of you so the back is facing you.
4. Align the hook strip (C) on the privacy flap with the loop strip sewn on to the bottom rear of the back cover.
5. Pull the opposite end of the privacy flap through the gap between the back and the wheelchair seat (D).
6. Secure the loop strip (E) on the opposite end of the privacy flap to the fastening strip on the wheelchair seat.

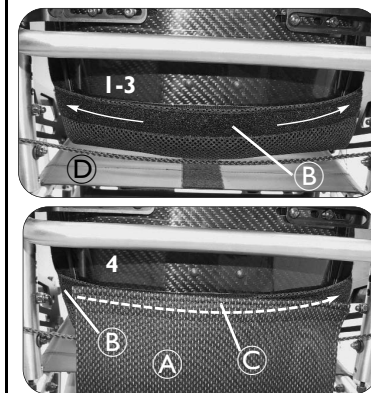


The fastening strip pre-installed on the wheelchair seat pan or sling upholstery may be either a hook strip or a loop strip. It may be necessary to install the the double sided hook strip (F) onto the privacy flap to secure it to the seat.

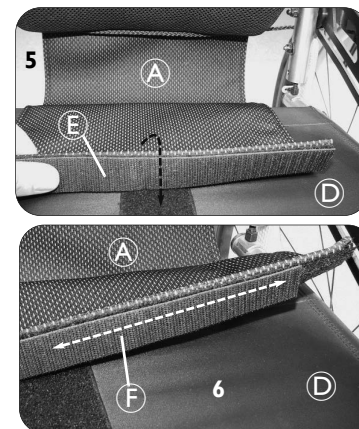
Detail A



Rear View



Front View



7 Maintenance

7.1 Cleaning

General Cleaning

1. Wipe the outer cover with a damp cloth when necessary.

Laundering

1. Release the hook and loop fasteners securing the back cushion cover. The hook and loop fasteners are located on the top and bottom edge and inside of the back shell.
2. Remove the foam cushion.
3. Remove the lumbar support. Refer to [Installing/Adjusting the Lumbar Support](#) on page 28.
4. Remove the cover from the back shell.
5. Follow the washing instructions on the cover.
6. Allow the cover to fully dry.
7. Insert the foam cushion into the cover.
8. Ensure the foam cushion is fully inserted and the perimeter of the foam is aligned with the cover seams.
9. Install the cover onto the back shell.
10. Install the lumbar support. Refer to [Installing/Adjusting the Lumbar Support](#) on page 28.

7.2 Inspection



WARNING

Check ALL fasteners weekly to ensure that mechanical connections and attaching hardware are tightened securely - otherwise injury or damage may occur. DO NOT continue to use this product if problems are discovered. Corrective maintenance can be performed at or arranged through your equipment supplier.

Visually inspect parts including hardware, brackets, upholstery materials, foams (if accessible), and plastics, for deformation, corrosion, breakage, wear or compression.

7.3 Reuse



WARNING: Risk of Injury

Always have a dealer inspect the product for damage before transferring the product to a different user. If any damage is found, DO NOT use the product. Otherwise injury may occur.

Usability Survey



Please complete the survey below to evaluate this manual. Your participation in the evaluation assists in the development of effective and usable manuals for our customers. The survey is also available online: <http://www.invacare.com/TechnicalDocumentSurvey>.

Yes, you can.[®]

1. Please indicate your primary involvement with the product (Choose one):
- | | |
|---|---|
| <input type="checkbox"/> Product User/Owner | <input type="checkbox"/> Product Service Technician |
| <input type="checkbox"/> User Assistant | <input type="checkbox"/> Health Care Provider |
| <input type="checkbox"/> Product Dealer | <input type="checkbox"/> Other (Please specify): |
-

2. Please indicate which product manual you are evaluating:
-

3. Evaluate the content:

	YES	NO
After reading this document, do you have a better understanding of how to use the product?	<input type="checkbox"/>	<input type="checkbox"/>
Do you have a better understanding of any limitations on the use of this product?	<input type="checkbox"/>	<input type="checkbox"/>
Is there any irrelevant information?	<input type="checkbox"/>	<input type="checkbox"/>
Is the Table of Contents useful?	<input type="checkbox"/>	<input type="checkbox"/>
Does any information seem inaccurate/misleading?	<input type="checkbox"/>	<input type="checkbox"/>
Do you understand that misuse of the product can cause injury or damage?	<input type="checkbox"/>	<input type="checkbox"/>

Explain:

4. Evaluate the Warnings/Cautions:

	YES	NO
Are there any warnings/cautions that you do not understand?	<input type="checkbox"/>	<input type="checkbox"/>
Are there too many warnings/cautions?	<input type="checkbox"/>	<input type="checkbox"/>
Are there warnings/cautions that you feel do not apply to this product?	<input type="checkbox"/>	<input type="checkbox"/>

Explain:

5. Evaluate the style:

	YES	NO
Is anything hard to locate/follow?	<input type="checkbox"/>	<input type="checkbox"/>
Are any headings missing/confusing?	<input type="checkbox"/>	<input type="checkbox"/>
Are there too many headings?	<input type="checkbox"/>	<input type="checkbox"/>
Should any material be a bulleted list or checklist instead of numbered steps or a paragraph?	<input type="checkbox"/>	<input type="checkbox"/>
Is there material that might be clarified by a visual?	<input type="checkbox"/>	<input type="checkbox"/>

Explain:

6. Evaluate the illustrations:

	YES	NO
Are the illustrations useful?	<input type="checkbox"/>	<input type="checkbox"/>
Do the illustrations need more or less detail?	<input type="checkbox"/>	<input type="checkbox"/>
Is the number/size of illustrations adequate?	<input type="checkbox"/>	<input type="checkbox"/>

Explain:

7. Do you have suggestions for other ways of making this document easier to use?

Yes No

Explain:

Thank you for completing this survey. If you have any questions or we may be of assistance to you, please feel free to contact us. Send your survey to:

Invacare Technical Writing Department
 Invacare Corporation
 One Invacare Way
 Elyria, OH 44035
 TechnicalWriting@invacare.com, FAX 440-329-6975

Invacare Corporation

USA

One Invacare Way
Elyria, Ohio USA
44036-2125
800-333-6900

Canada

570 Matheson Blvd. E Unit 8
Mississauga Ontario
L4Z 4G4 Canada
800-668-5324

Motion Concepts

USA

700 Ensminger Rd. Suite 112
Tonawanda, NY 14150
888-433-6818

Canada

84 Citation Dr.
Concord, Ontario L4K 3C1
905-695-0134

TRD0283

Part No. 1171914 Rev B - 02/12



www.invacare.com



Yes, you can.®