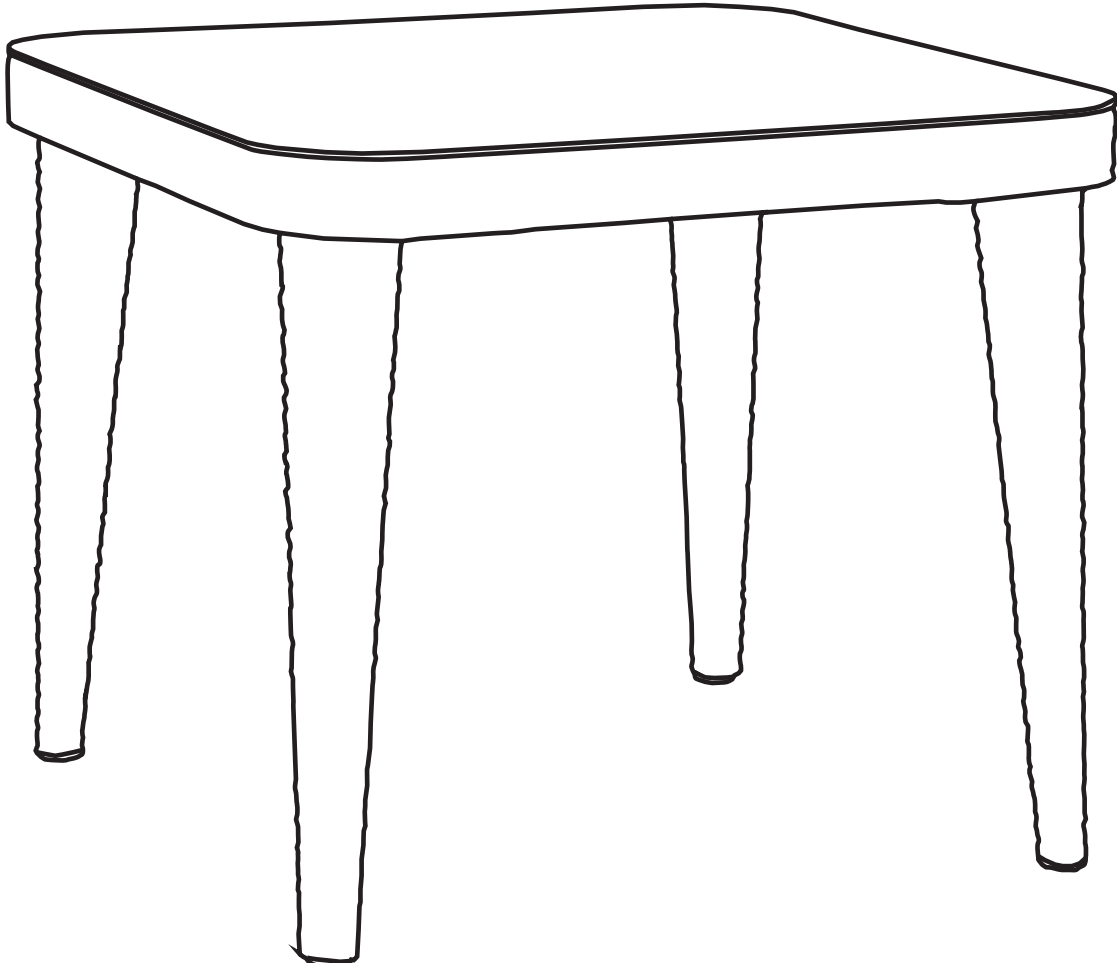


SQUARE TABLE

Read this manual carefully before using this product.

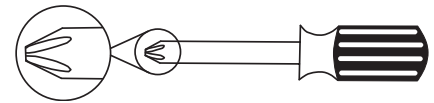
Assemble components on a soft, clean surface to avoid damaging the finish.



Inspect packaging to ensure all parts are accounted for before disposing of packing materials.

PARTS	QTY.
Tabletop	1
Leg	4
M5x40 Screw	48

REQUIRED TOOL (NOT INCLUDED)



Phillips Screwdriver

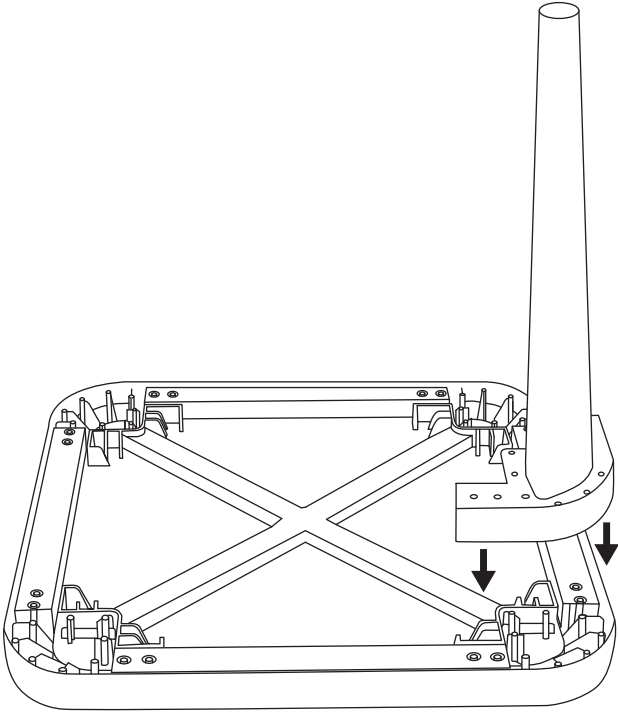
! HELPFUL HINTS

Sunnydaze Decor advises reading this manual fully, and assembling the item soon after purchase. Check that all parts are accounted for and familiarize yourself with the assembly before beginning.

Fasten all screws equally and tightly, failure to do so may result in cracking during assembly and/or breakage during use.

ASSEMBLY

Read all assembly steps carefully before beginning.



STEP 1

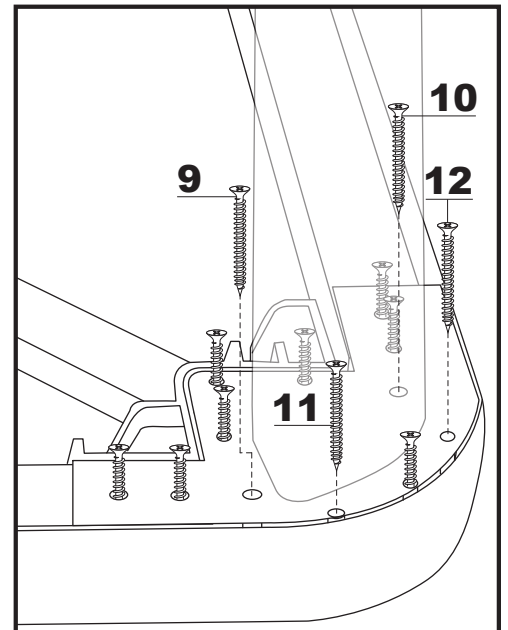
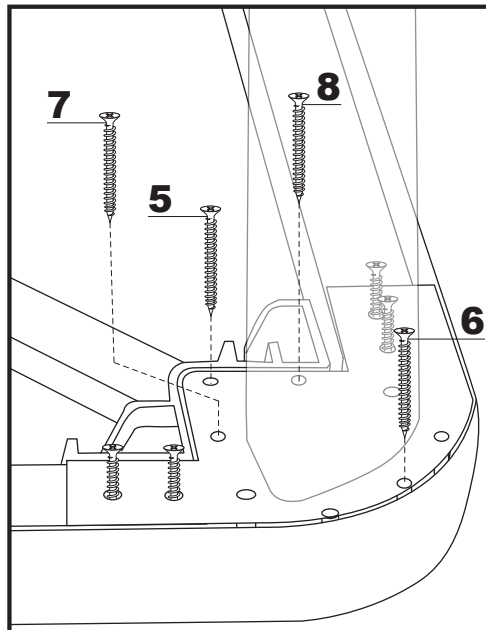
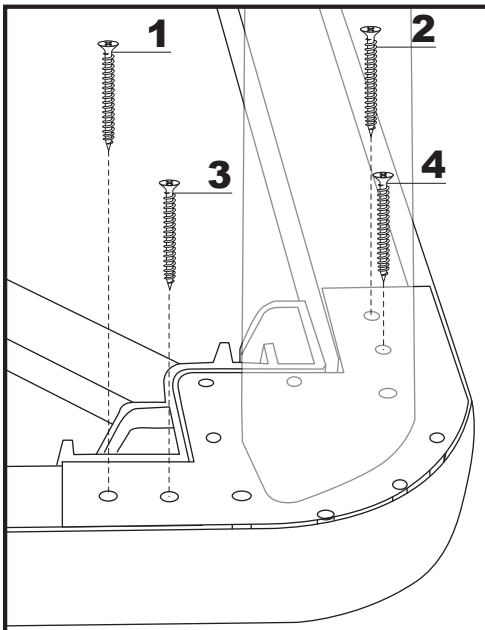
Lay the tabletop face down on a soft, clean surface.
Firmly insert the leg into the corner of tabletop, ensuring the leg is fully inserted into the corner of the tabletop.
Check to make sure all holes on the leg align with the holes on the underside of the tabletop.

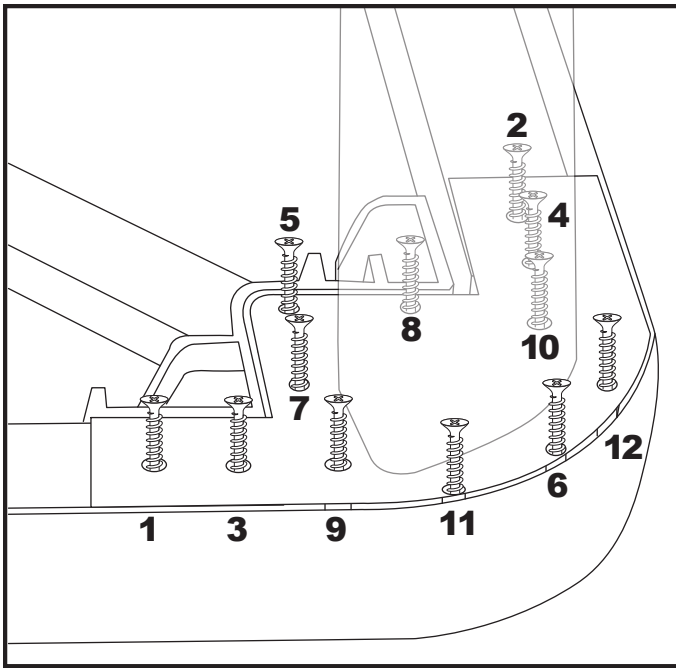
STEP 2

⚠ Do not fully tighten any screw until all screws have been partially affixed.

Starting at the outermost edges and working towards the center, affix the screws halfway through the leg into the tabletop.

Following the diagrams below is highly recommended to prevent the plastic from cracking during assembly or breaking while the table is in use.





STEP 3

! *Fasten all screws equally.*

Do not over-tighten screws as doing so may cause cracking and breakage.

Starting at the outermost edges and working towards the center, tighten all screws. Ensure the screws are secure but do not over-tighten as doing so may cause the plastic to crack and break.

Care & Maintenance

SAFE USE: Never sit or stand on the table.

INSPECT: Periodically check assembly points and tighten hardware as necessary.

COVER: When not in use, covering the table with a breathable cover will help protect it from the harmful effects of sunlight, dust build-up, and collecting debris.

WINTER CARE & STORAGE: Protect this item from inclement weather, especially ice and snow. Move the table to a cool, dry indoor location. Cover the table while in storage to help prevent dust build-up.

Cleaning

Do not use harsh chemicals or abrasive materials to clean the table.

 **DO NOT USE BLEACH**

 **DO NOT USE A PRESSURE WASHER**

Mix mild soap with warm water and wash the table using a soft cloth. Thoroughly rinse soap residue off the table. Dry with a soft, lint-free cloth.

Any modification to the product or failure to follow recommended care will void the product warranty.

WARNING!

Manufacturer and seller expressly disclaim any and all liability from personal injury, property damage or loss, whether direct or indirect, or incidental, resulting from the incorrect attachment, improper use, inadequate maintenance, or neglect of this product.