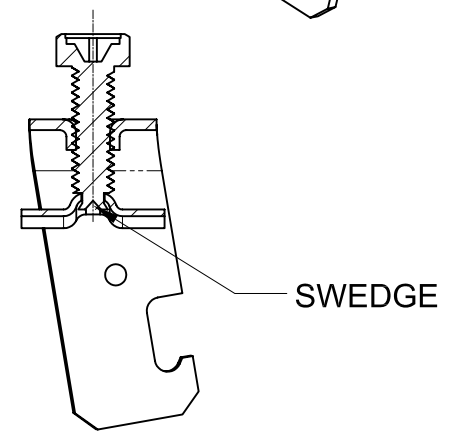
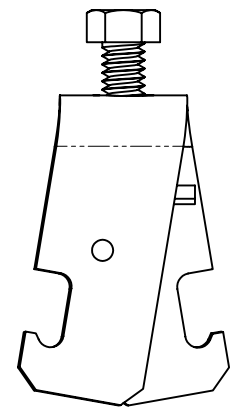
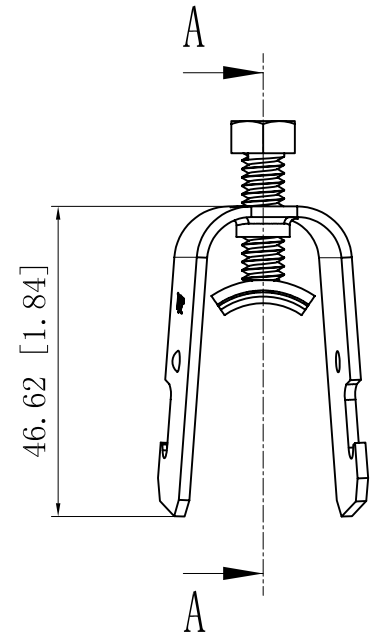
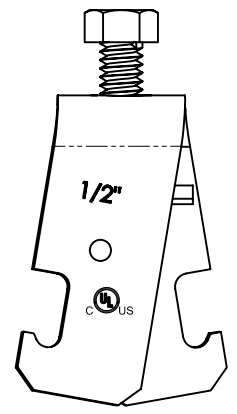
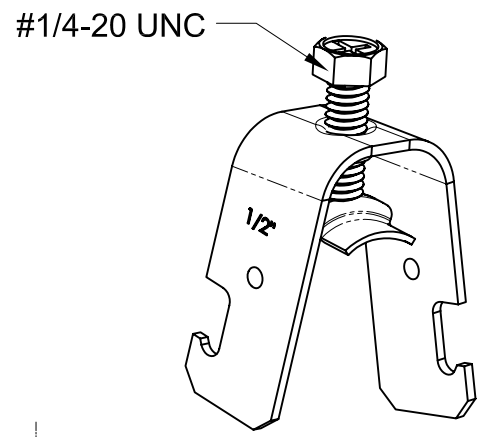
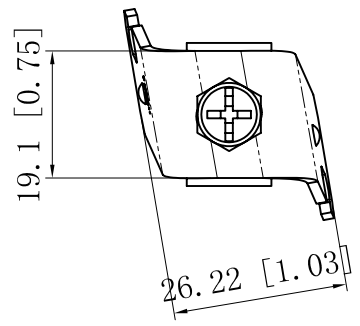


| | |
|---|--------|
| SIDES | BOTTOM |
| | |
| | |
| Material: Steel-(0.061"-0.063")-Galvanized or C.R.S and zinc plated | |



CUTAWAY VIEW A-A

This data sheet is for reference only .GARVIN INDUSTRIES reserves the right to make changes to the design without prior notice.

| |
|-----------------------|
| DESCRIPTION |
| |
| TRADE REFERENCE TERMS |
| |

| | | | |
|------------------|--|------------------------|-----|
| STANDARD PACKING | <h1 style="text-align: center;">GARVIN INDUSTRIES</h1> | | |
| 100 PCS | | | |
| | TITLE | ONE-PIECE STRUT CLAMPS | |
| | SIZE | DWG NO. | REV |
| | A4 | OPSC-50 | A |
| | DATA SHEET | | |