



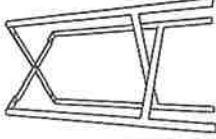


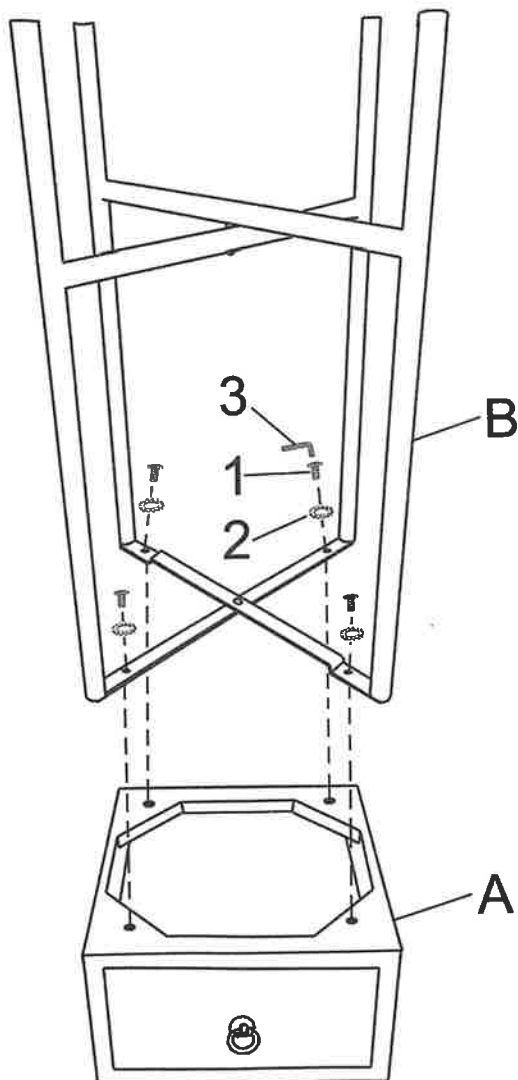
ASSEMBLY INSTRUCTIONS

Parts required

1		Bolt	$\Phi 6 \times 16 \text{MM}$	4 pcs
2		Lock washer	$\Phi 6 \text{MM}$	4 pcs
3		Allen wrench		1 pc

A		1 pc
B		1 pc

1.



2.

