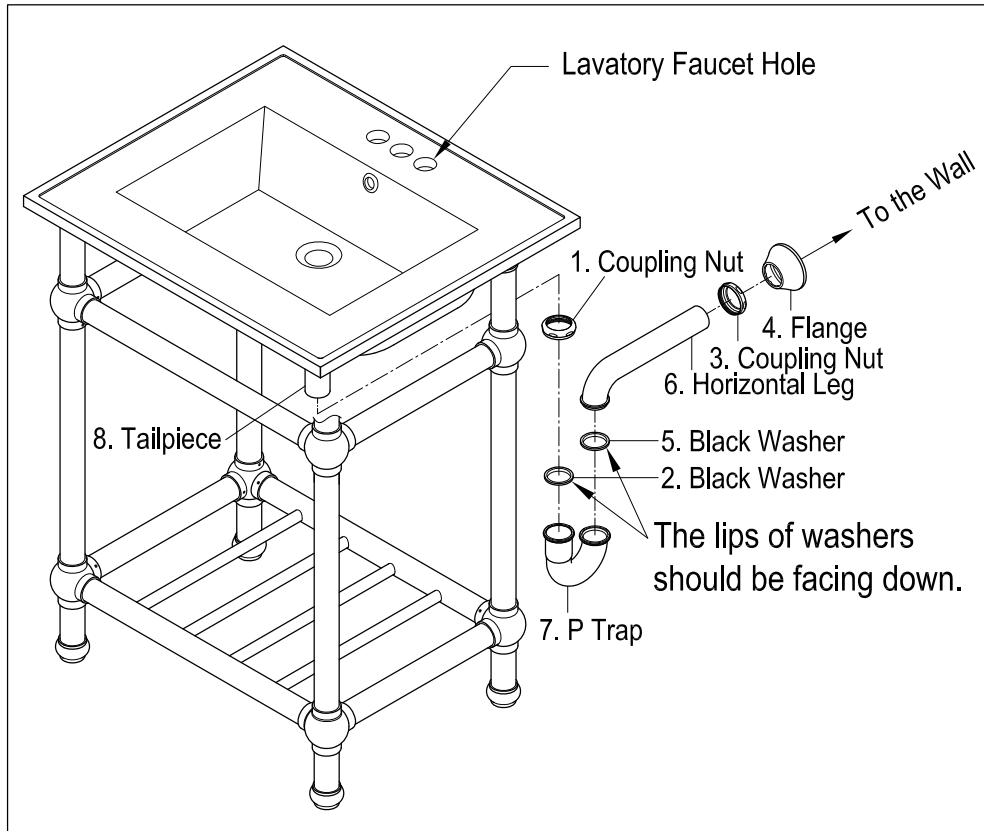
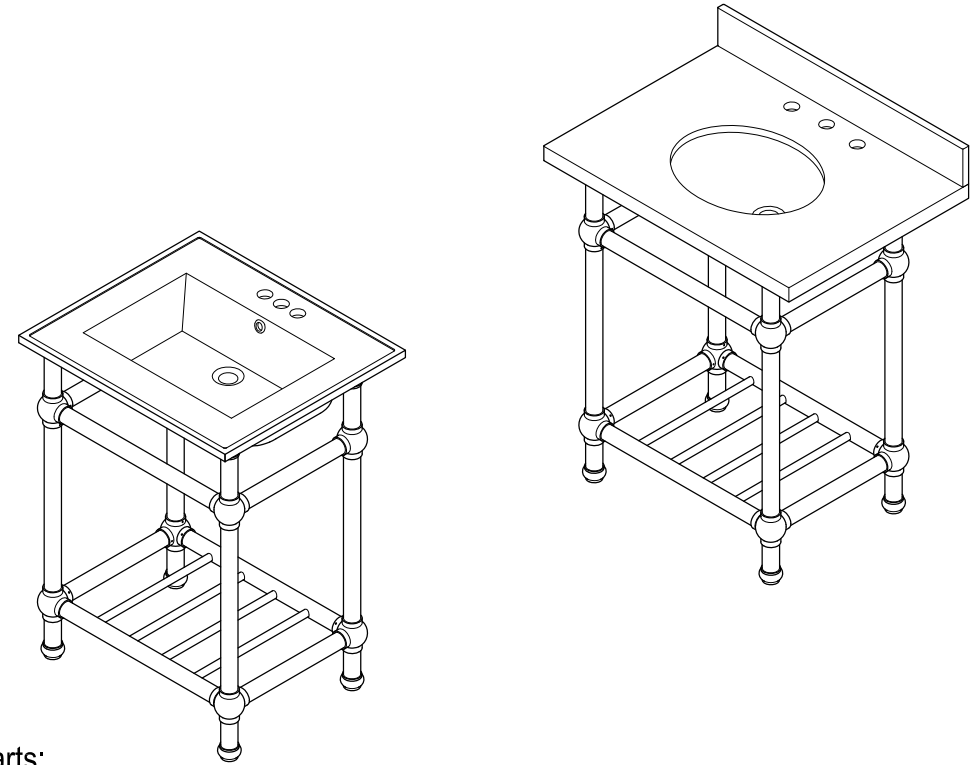


P-Trap Installation:




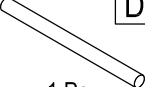


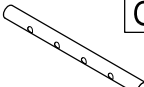
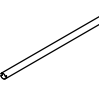
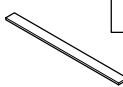




1. Insert horizontal leg (6) into wall drain stub-out.
2. Remove coupling nut (1) and black washer (2) from the P-trap (7).
3. Insert coupling nut (1) and black washer (2) onto the tailpiece (8), make sure the lip of washer is facing down.
4. Attach P-trap to the tailpiece (8). Slowly and carefully move the black washer (2) down to touch the inlet of P-trap (7) by hand. Then tighten up the coupling nut (1).
5. Align P-trap (7) with horizontal leg (6) and tailpiece (8), at this point it may be necessary to cut part of tailpiece (8) or part of horizontal leg (6) to obtain proper alignment.
6. Check if all components are properly tightened.
7. Run water. If leaks appears and tightening doesn't correct it, loosen coupling nuts (1) or (3), check black washers (2) and (5) are properly installed. Retighten coupling nuts (1) or (3).

FAUCETURE



Parts:

Flange	Side bar	Support bar	Front bar	3 Way ball joint	4 Way ball joint
 A	 B	 C	 D	 E	 F
8 Pcs	4 Pcs	4 Pcs	1 Pc	2 Pcs	6 Pcs
Shelf bar	Cross bar	Bolt	Floor screw	Sponge Pad	
 G	 H	 I	 J	 K	
2 Pcs	4 Pcs	1 Pc	2 Pcs	4 Pcs	

CAUTION

Failure to follow all installation directions may cause product to detach from the wall and cause serious injury

www.kingstonbrass.com

TOLL-FREE CUSTOMER SERVICE: 1-877-2-KBRASS
 TECHNICAL SUPPORT E-mail: service@kingstonbrass.com
 12775 Reservoir Street, Chino, CA 91710

FAUCETURE

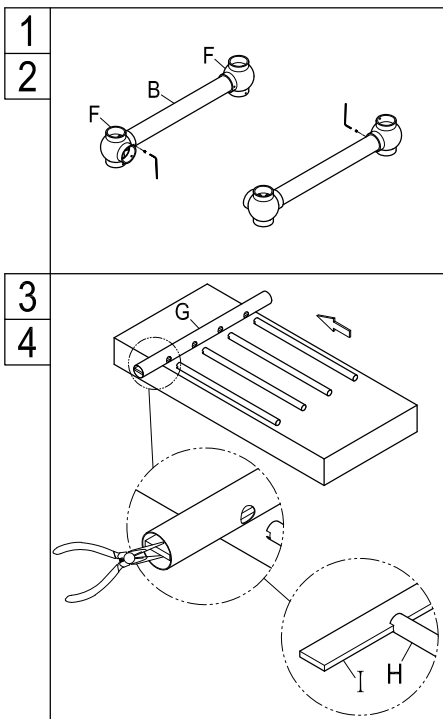
INSTALLATION INSTRUCTIONS

Console Sink Legs

Before Installation :

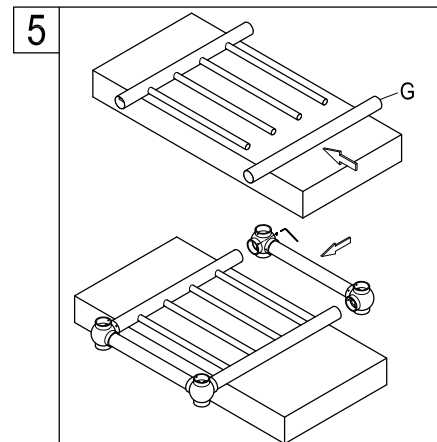
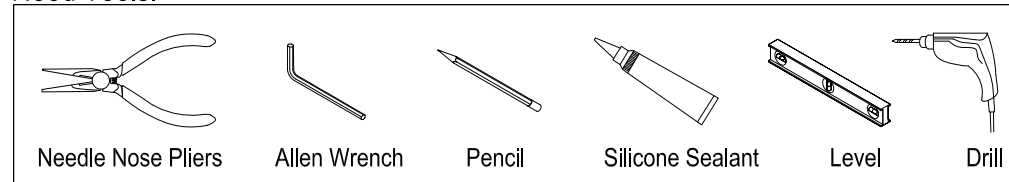
1. Unpack your new Kingston Brass product and inspect it. Keep the product in its original package until you are ready to install it.
2. Shut the water supply off when replacing an existing fixture. Preparation of the floors and walls, including all additional wall supports, maybe required.
3. Observe all local plumbing and building codes.
4. It is recommended that you enlist the assistance of a second person to install this unit.
5. Make sure to select appropriate drain as some of Kingston Brass vessel sinks do not include overflow hole.
6. The weight capacity of this unit is solely dependent on its installation.
 - a) Once the location has been selected, make sure to install 2" x 6" lumber or larger wood bracing, in order to secure the console properly.
 - b) Make sure your sink has come with wall-mounting screw hardware or bracket to fix on the wall.
 - c) If not, for safety concern, we recommend that you use our bracket # VSPLBRKT, bracket should be attached to 2" x 6" lumber or larger wood bracing for added safety.

Assembly and Installation :

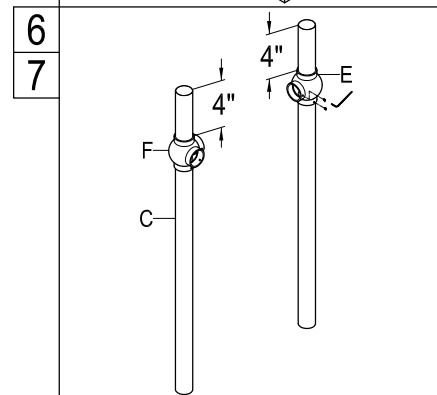


1. Move all components from box and place on soft clothes or carpet. Tape the box to be a platform for installation. Or other firm platform desired shelf height.
2. Using 4 way ball joints (F) to assembly with side bar (B) become the bottom shelf side bar, make sure both ball joints are in level. Tighten the set screw on both ends.
3. Repeat upon to assembly another one bottom shelf side bar.
4. Insert bolt (I) into the shelf bar (G), using plier to hold it and insert the cross bars (H), let cross bars to fit with bolt.
Note: The bolt not protrude from the shelf bar.

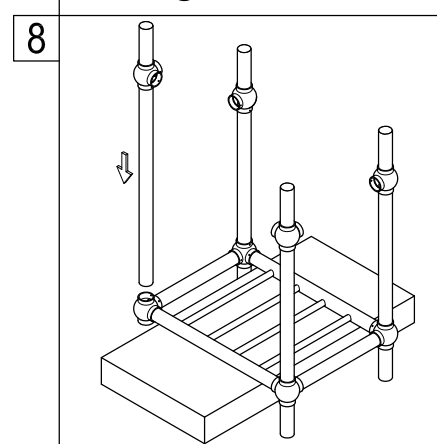
Need Tools:



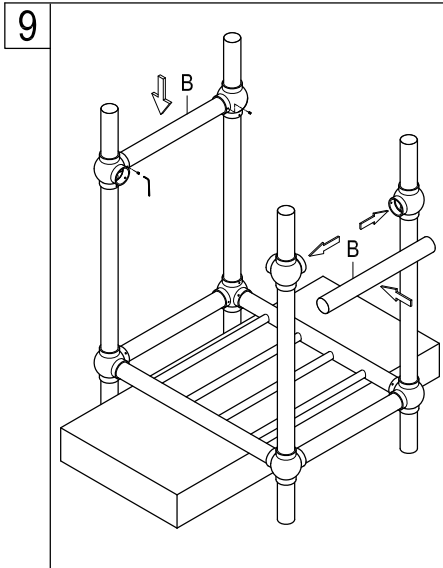
5. Assembly another shelf bar (G) and attach the shelf side bars with shelf together, slightly tighten the set screws on 4 way ball joints (F). Move the shelf to flat floor and check again all the ball joints are in level and fully tighten the set screws.



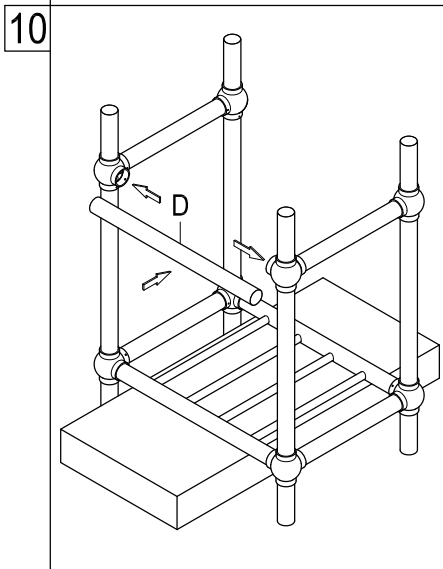
6. Assembly support bar (C) with 4 way ball joint (F), tighten the set screw. Assembly Support bar (C) with 3 way ball joint (E), tighten the set screw.
7. To set the ball joint at same distance (suggest 4" and max 5") for all the 4 supports.



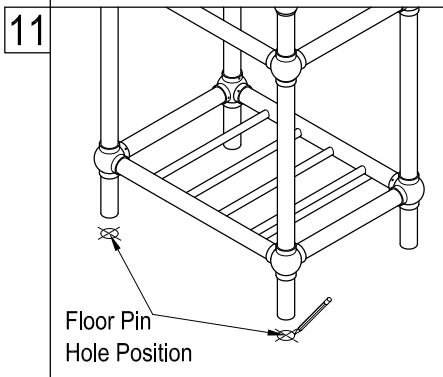
8. Slightly insert the 4 supports into bottom shelf. 4 way ball joints in front and 3 way ball joints in the rear.
Note: At this step, don't tighten the bottom shelf set screw after supports inserted.



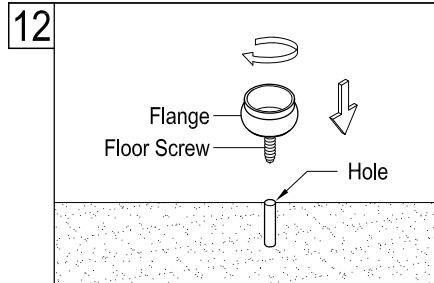
9. Slightly open the supports and insert side bar (B). Tighten the set screw at both ends.



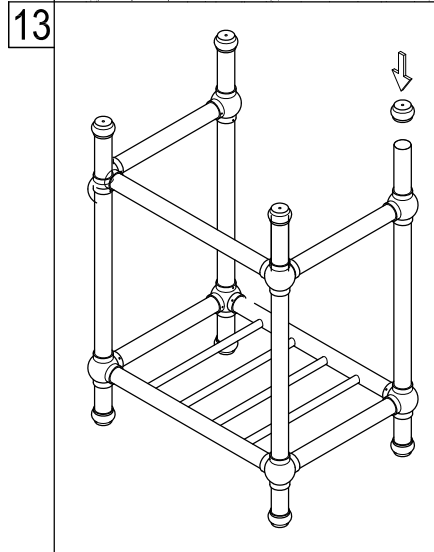
10. Slightly open the supports and insert front bar (D). Tighten the set screw at both ends and tighten the bottom shelf set screws.



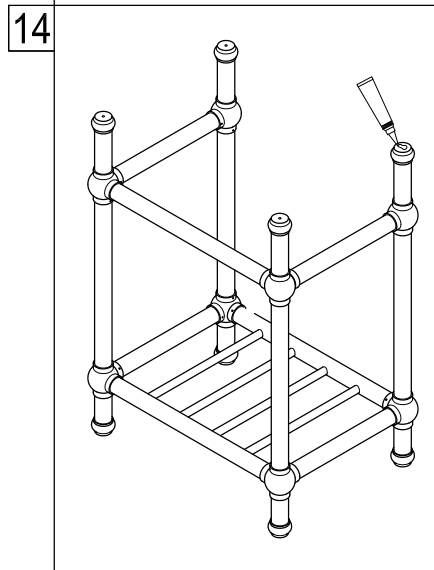
11. Remove the box (platform). With one person on either side of assembled stand, carefully position the wash stand in desired location. Use a pencil mark position of the perimeter of the location of foot flange on floor.
Note: Rear foot flanges no need install with floor screw.



12. Locate the center of the perimeter and drill 5/16" holes on the floor. Thread the floor screw with foot flange and screw it into floor.



13. Insert the console sink legs into foot flange. Place the top flanges on.



14. Apply silicone adhesive to the top of the console leg support assembly as well as to the top of the wall bracket. As well as to the back of the console top, place the top on top on the console leg assembly, wipe off any excess adhesive and let the adhesive cure as per the manufacturer's recommendation. If counter top need slight leveling adjustment, place attached sponge pads (K) on flange as necessary to stabilize.

Care and maintenance:

- Clean only with warm water and dry with a microfiber cloth.
- Do not use any soaps, abrasives or brass cleaners as these may damage the finish.
- Dry after every use if there is moisture present.
- You may apply a light coat of non-abrasive carnauba wax periodically.