




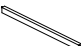




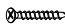
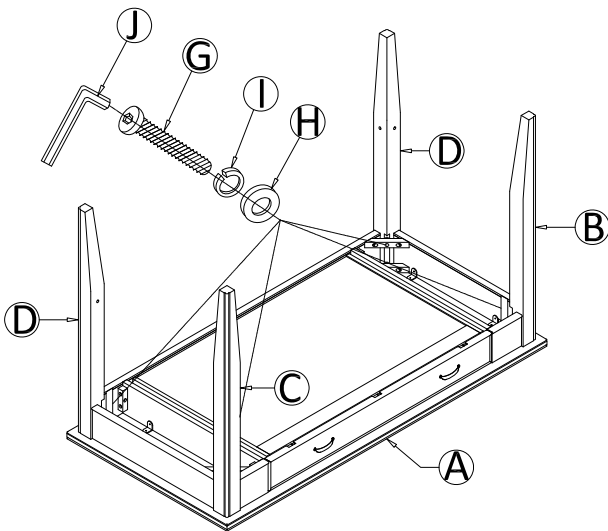


Assembly Instructions, #10511 Laurent Desk With Stretcher

A: Top Assembly	
B: Front Left Leg	
C: Front Right Leg	
D: (2) Back Legs	
E: (2) Side Stretchers	
F: Back Stretcher	
G: (8) Bolts	
H: (8) Flat Washers	
I: (8) Lock Washers	
J: Allen Wrench	
K: (6) Wood screws	

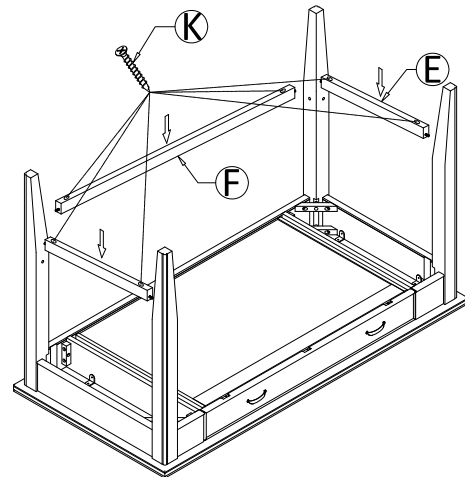
Step 1

Place top assembly upside down on a soft surface. Fasten the legs with (8) bolts, flat washers and lock washers using the Allen wrench. Do not tighten yet.



Step 2

Insert all the stretchers, and then tighten all bolts. Fasten the stretchers with screws.



Wire management hole on back of desk: pull the disk out, run wires, and snap disk back in place.

