

OVERVIEW

In today's environment, current to post pandemic, disinfecting commonly touch surfaces like wall switches are essential in order to promote a healthy space for everyone. Sanitation procedures vary by the person undertaking the work and, in many instances, overly dampen or direct spraying is mis-applied to wire devices. Over time exposure to these chemicals may enter and leave residue that can causes long term harm to the devices.

SensorSwitch's Sealed Wall Plate, SSW, is designed to also stop liquid intrusion from entering the device. By including a clear liquid silicone rubber overlay top of the wall switch, button tactile feel is maintained without degradation or observation. The rubber layer allows cleaning personal to sterilize vigorously, without device damage. Each wall plate is made from a tough thermoplastic material that can withstand high impact without breakage.

In new construction or renovation spaces, today's wall plates provide a decorative accent that adds style and contrast to walls. SensorSwitch sealed wall plates "SSW" continue to deliver modern elegance as shown in its line of new aesthetic wall switches. All wall plates come in a matte texture and three popular color finishes that communicate just the right amount of style while complimenting the space.

FEATURES

- Color matched and compatible with Sensor Switch & nLight™ devices
- IP54 rating
- Allows for damp or direct spray on cleaning

Warranty

Five-year limited warranty. This is the only warranty provided and no other statements in this specification sheet create any warranty of any kind. All other express and implied warranties are disclaimed. Complete warranty terms located at: www.acuitybrands.com/support/warranty/terms-and-conditions

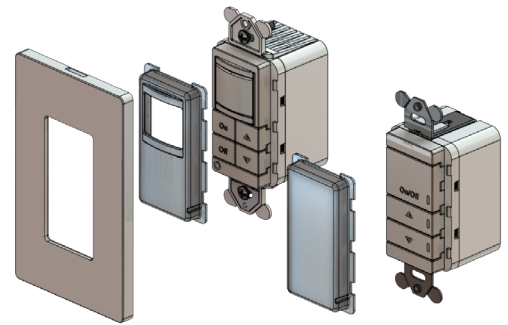
Note: Actual performance may differ as a result of end-user environment and application. Specifications subject to change without notice



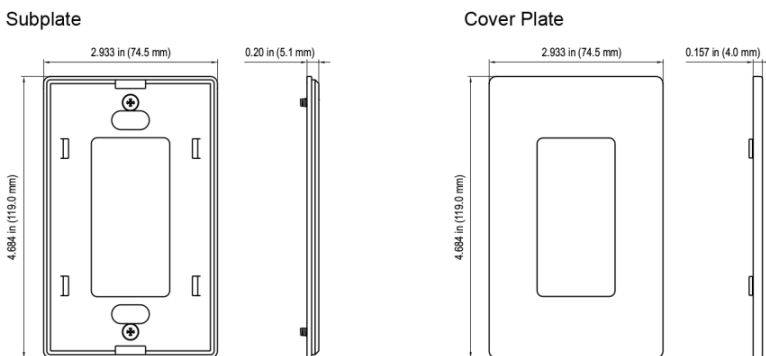
Items marked by a shaded background qualify for the Design Select program and ship in 15 days or less. To learn more about Design Select, visit www.acuitybrands.com/designselect. *See ordering tree for details



SSW Sealed Screwless Wall-Plate Covers



SPECIFICATIONS



Design Select options indicated by this color background.

ORDERING INFORMATION

SSW				Example: SSW 1GNG OCC WH
Series	Number of Gangs	Mount	Color	
SSW Sealed Screwless Wall-Plate	1GNG Single Gang	[blank] Standard Wall Switch OCC Occ. Wall Switch	WH White	IV Ivory RD Red