

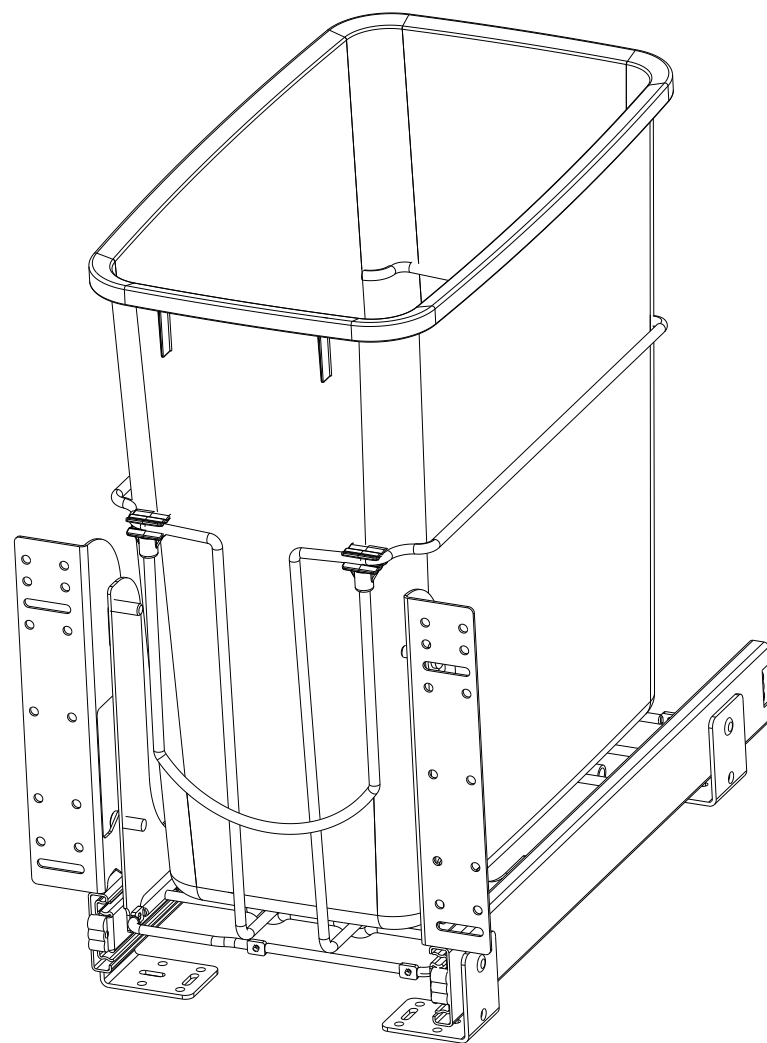
REV-A-SHELF®
1-800-626-1126
Part No. RV-20

CUSTOMER DRAWING

This drawing is the property of Rev-A-Shelf (RAS) and is disclosed in confidence to the extent its subject matter is original to RAS. Any vendor receiving this drawing from RAS shall hold and use this drawing for the sole benefit of RAS and shall not disclose it to, or use or reproduce it for any third party, or perform any act adverse to the interest of RAS with respect to this drawing without the express written permission of RAS. Vendors shall not revise any physical, dimensional or performance characteristic unless authorized by Rev-A-Shelf Engineering.

REV.	DATE	BY	DESCRIPTION OF CHANGE

INCH [MM]	AMERICAN PROJECTION 	BY	DATE	REV-A-SHELF, INC.	
		DRAWN	KRR 3-17-21	SIZE B	SINGLE 20QT 8" ORIENT
TOLERANCES		MATERIAL	DRAWING NO.	SCALE	
MAT.	DEC.		RUKD-820-1	0.250	
(WOOD) .XX ±.03 [.8mm]		FINISH	PART NO.	SHEET OF	
(OTHER) .XX ±.02 [.5mm]			RUKD-820-1	1 2	
(ALL) .XXX ±.005 [.13 mm]					
FRACTIONS ±1/32 [.8 mm]					
ANGLES ±1/2°					



PART DIMENSIONS		
	MIN	MAX
WIDTH	8.63	
DEPTH	15.75	
HEIGHT	16.63	
CONTAINER CAPACITY	20	
CONTAINER UOM	QUARTS	

MIN CABINET OPENING				
	FACE FRAME	FRAMELESS	INSET FACE FRAME	INSET FRAMELESS
WIDTH	8.63	8.63	8.63	8.63
DEPTH	15.75	15.75	16.50	16.50
HEIGHT	17.00	17.00	17.00	17.00

SLIDE SPECIFICATIONS				
SLIDE MANUFACTURER				
SLIDE PART NUMBER		RELEASE PART NUMBER		
SLIDE TYPE	BALL BEARING	SLIDE EXTENSION	FULL	MAX WEIGHT RATING
SLIDE CLOSING	NORMAL	SLIDE LENGTH	15.75 [400]	
SLIDE MOUNTING	BOTTOM	SLIDE FINISH	ZINC	100 LB

CUSTOMER DRAWING

This drawing is the property of Rev-A-Shelf (RAS) and is disclosed in confidence to the extent its subject matter is original to RAS. Any vendor receiving this drawing from RAS shall hold and use this drawing for the sole benefit of RAS and shall not disclose it to, or use or reproduce it for any third party, or perform any act adverse to the interest of RAS with respect to this drawing without the express written permission of RAS. Vendors shall not revise any physical, dimensional or performance characteristic unless authorized by Rev-A-Shelf Engineering.

REV.	DATE	BY	DESCRIPTION OF CHANGE

INCH [MM]	AMERICAN PROJECTION 	DRAWN	BY	DATE	REV-A-SHELF, Inc.
			KRR	3-17-21	
			SIZE	SINGLE 20QT 8" ORIENT	
			MATERIAL	DRAWING NO.	SCALE
			FINISH	RUKD-820-1	0.250
				PART NO.	RUKD-820-1
			TOLERANCES		
			MAT. DEC. ANGLES ±1/2°		
			(WOOD) .XX ±.03 [.8mm]		
			(OTHER) .XX ±.02 [.5mm]		
			(ALL) .XXX ±.005 [.13 mm]		
			FRACTIONS ±1/32 [.8 mm]		