



---

**Extended Warranty  
Sign Up**

---

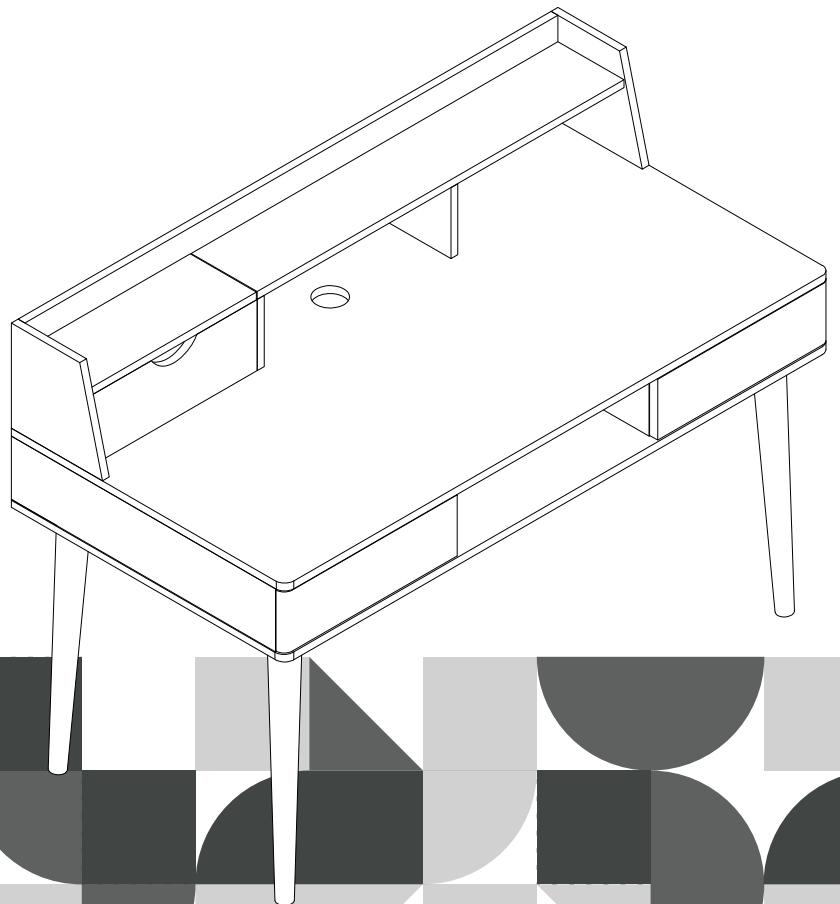
**E-1**

# Welcome home!

**VNF-00045**

**VNF-00045LG**

**TEAMSON HOME  
Creativo Stylish Desk  
- White/Natural  
(- LightGary/Natural)**





**Questions? Comments? Need help?  
Call or email us any time!**

## Global Customer Service

**USA**

**+1(800)935-3959**

Mon - Fri 10:00am ~ 2:00pm EST

✉ [support@teamson.com](mailto:support@teamson.com)

**EU/UK**

**+44(0)1952-916-050**

Mon - Thu 9:00am ~ 5:00pm GMT

Friday 9:00am ~ 4:00pm GMT

✉ [support@teamson.co.uk](mailto:support@teamson.co.uk)

**ASIA**

深圳办公室:

**+86(0755)8885-3558.分机号331**

Mon - Sat 9:00am ~ 5:00pm GMT+8

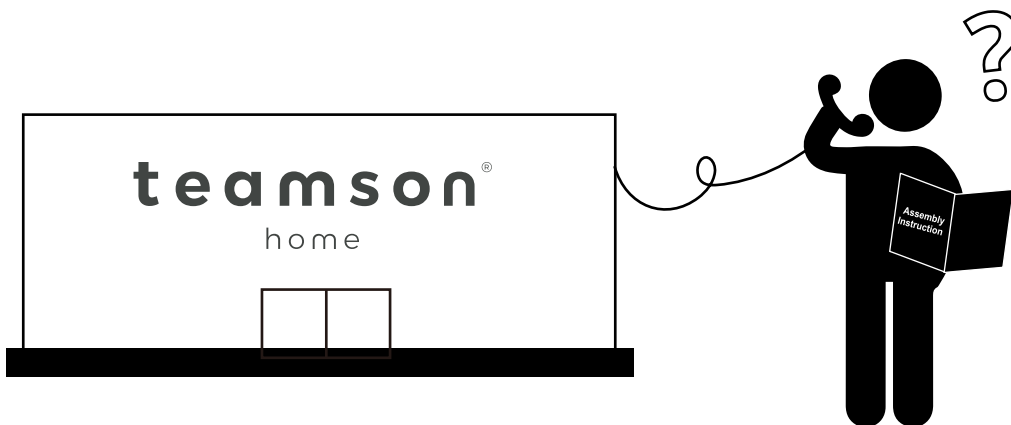
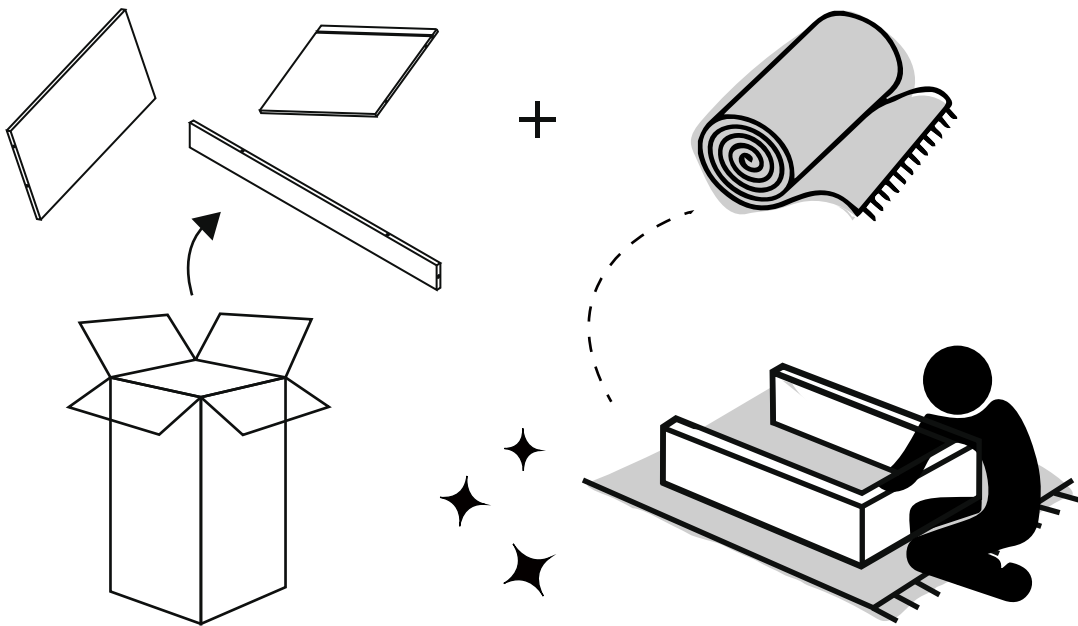
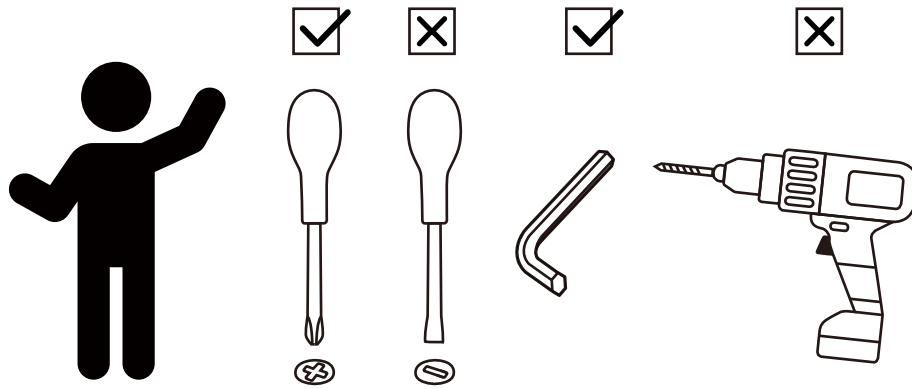
✉ [sales\\_ec@teamson.com](mailto:sales_ec@teamson.com)

台北办公室:

**+886(2)2556-6268**

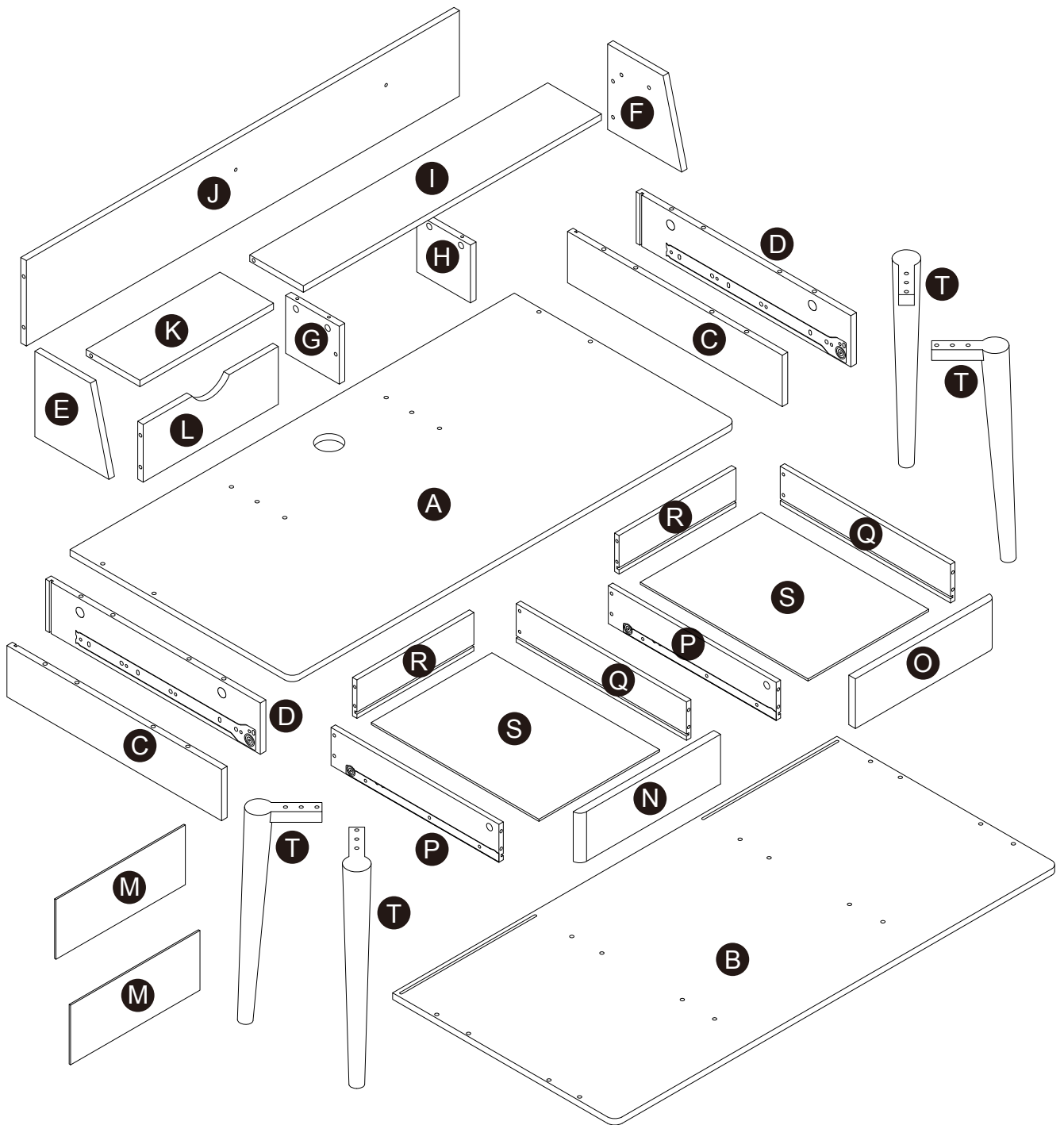
Mon - Fri 9:00am ~ 5:00pm GMT+8

✉ [sales\\_ec@teamson.com](mailto:sales_ec@teamson.com)



\*\* Got questions? Please have your product code (on the first page of this instruction, e.g. TD-12345A) and the order number ready, give us a call or email us through our customer care support! We are always ready to assist you!

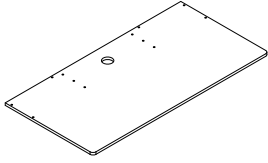
# Exploded Drawing



Scan for assembly instructions.

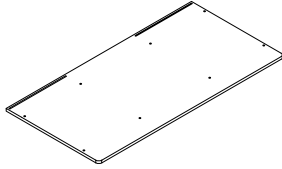
# Product Parts

A



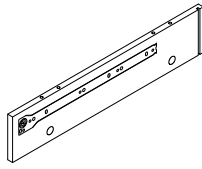
1 PC

B



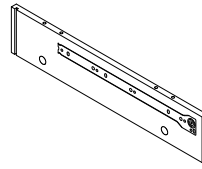
1 PC

C



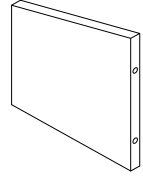
2 PCS

D



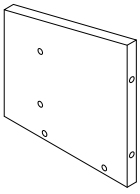
2 PCS

E



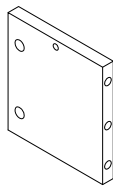
1 PC

F



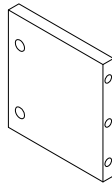
1 PC

G



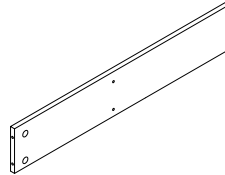
1 PC

H



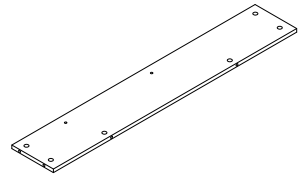
1 PC

I



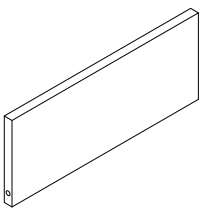
1 PC

J



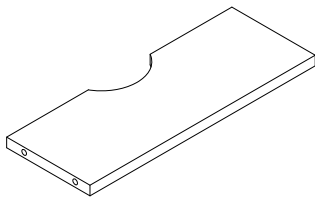
1 PC

K



1 PC

L



1 PC

## ! Care Instructions

Dust surface with a dry soft cloth. Do not use window cleaners or cleaning abrasives as they will scratch the surface and could damage the protective coating

## ! WARNING

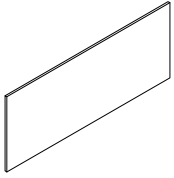
Small parts and sharp edges may be present prior to assembly.



Scan for assembly instructions.

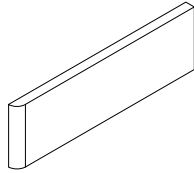
# Product Parts

M



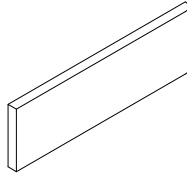
2 PCS

N



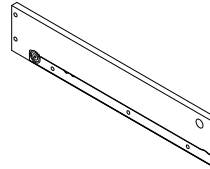
1 PC

O



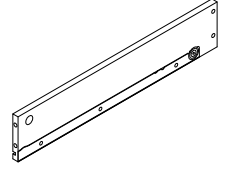
1 PC

P



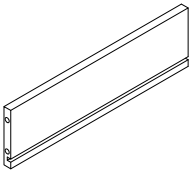
2 PCS

Q



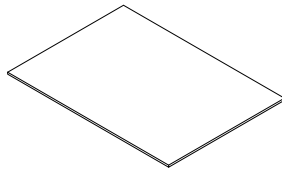
2 PCS

R



2 PCS

S



2 PCS

T



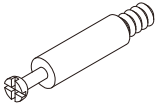
4 PCS



Scan for assembly instructions.

# Hardware

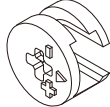
1



35mm

27 PCS

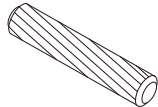
2



Ø15\*10

27 PCS

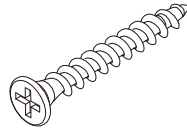
3



Ø6\*30mm

24 PCS

4



Ø4\*35mm

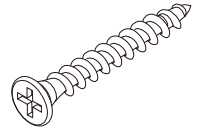
16 PCS

5



2 PCS

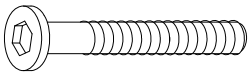
6



Ø4\*30mm

8 PCS

7



Ø6\*60mm

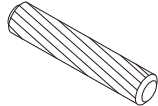
8 PCS

8



8 PCS

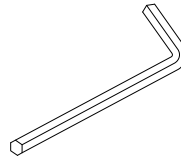
9



Ø8\*30mm

4 PCS

10



1 PC

11



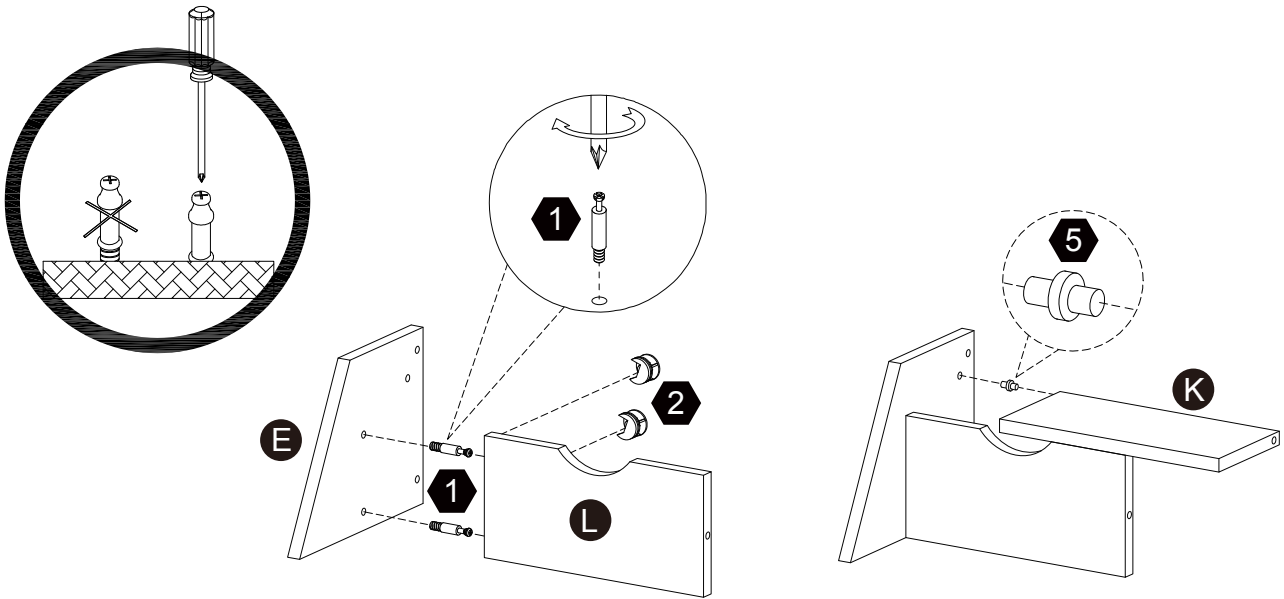
4 PCS



Scan for assembly instructions.

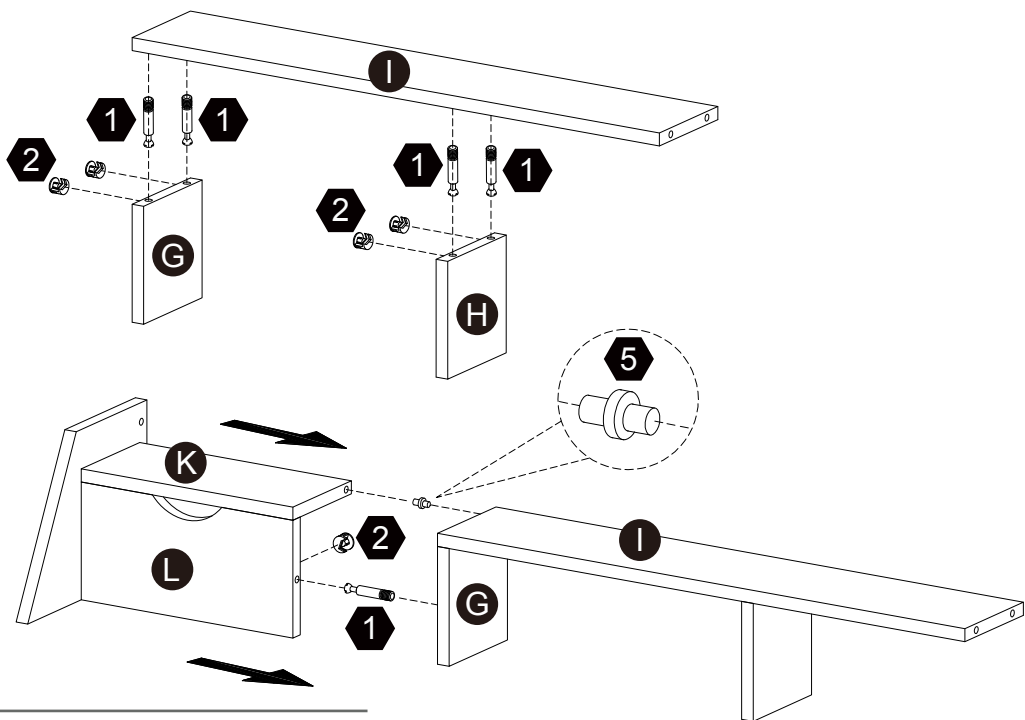
## Step 1

- 1**  35mm 2 pcs    **2**   $\phi 15 \times 10$  2 pcs    **5**  1 pc



## Step 2

- 1**  35mm 5 pcs    **2**   $\phi 15 \times 10$  5 pcs    **5**  1 pc

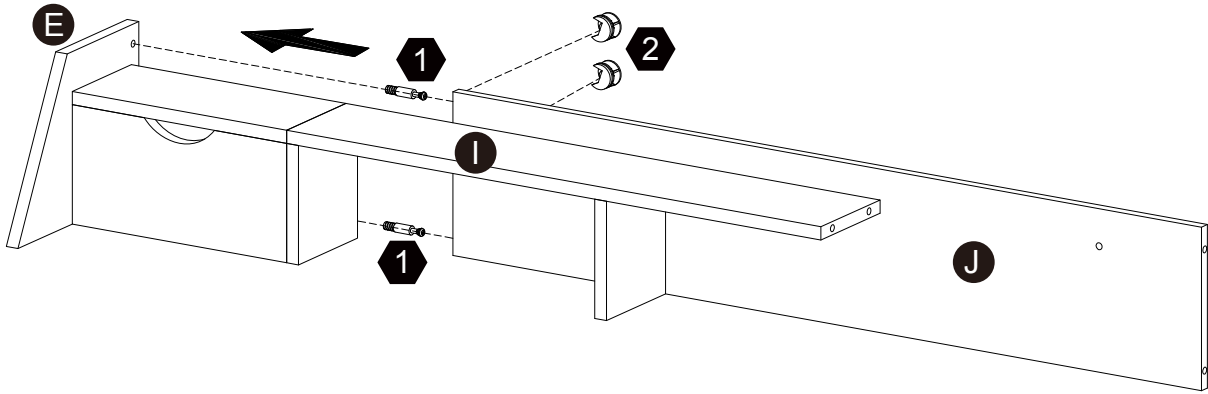


Scan for assembly instructions.



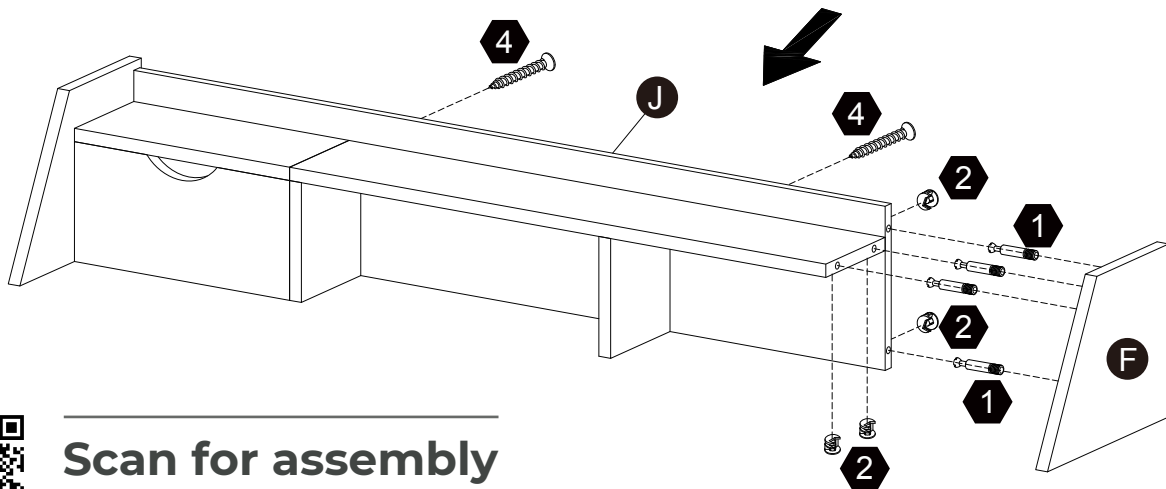
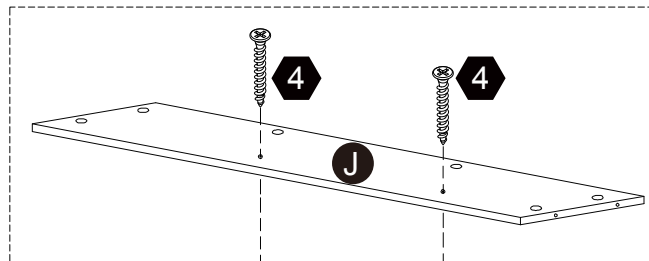
### Step 3

- 1  35mm 2 pcs
- 2   $\phi 15 \times 10$  2 pcs



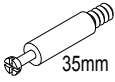
### Step 4

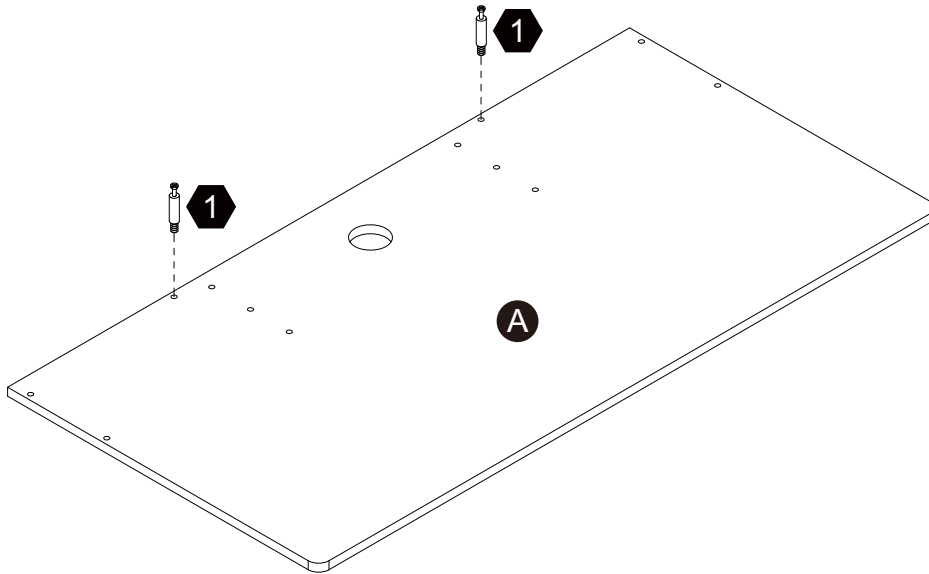
- 1  35mm 4 pcs
- 2   $\phi 15 \times 10$  4 pcs
- 4   $\phi 4 \times 35$  2 pcs



Scan for assembly instructions.

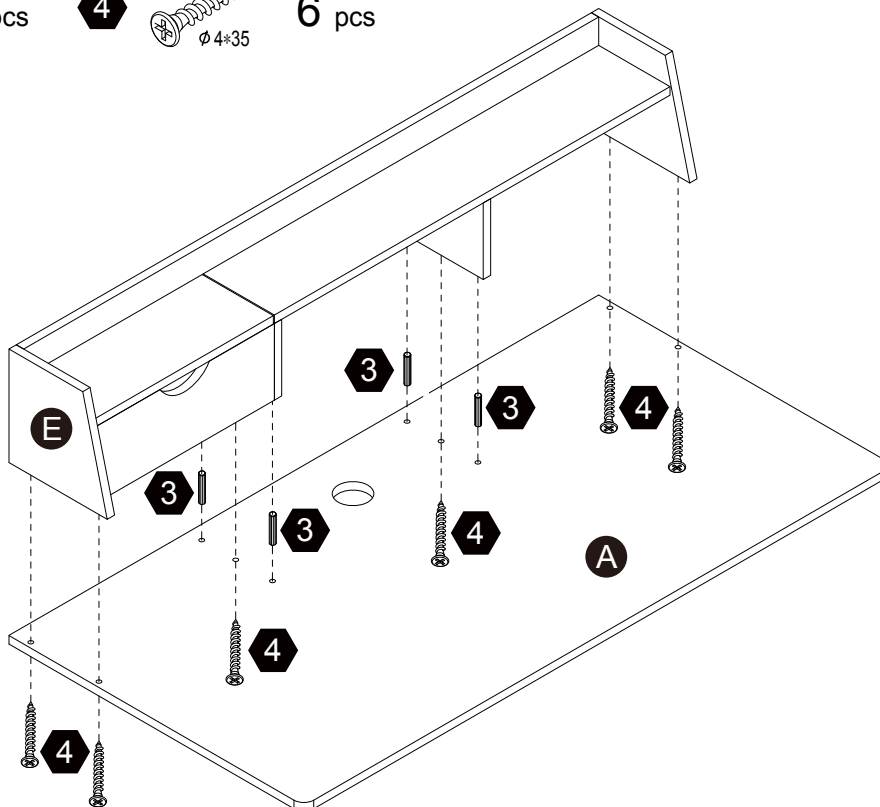
## Step 5

**1**  35mm **2 pcs**



## Step 6

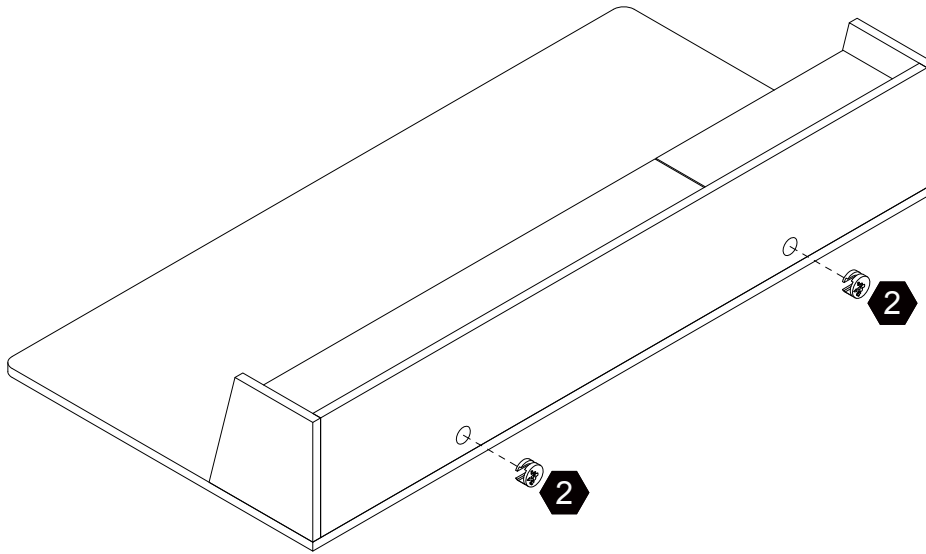
**3**   $\phi 6 \times 30$  **4 pcs** **4**   $\phi 4 \times 35$  **6 pcs**



Scan for assembly instructions.

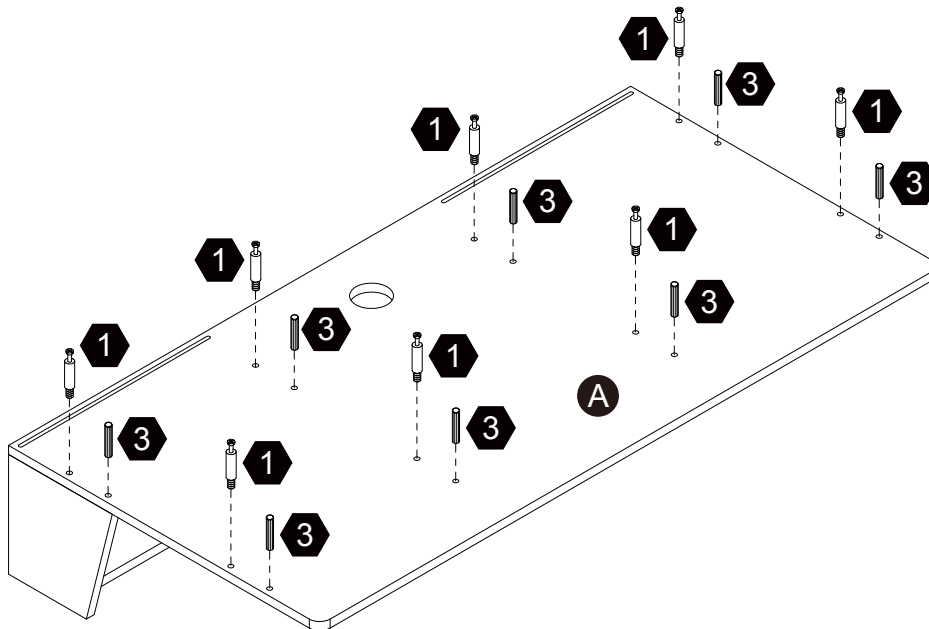
## Step 7

**2**   $\phi 15 \times 10$  2 pcs



## Step 8

**1**  35mm 8 pcs    **3**   $\phi 6 \times 30$  8 pcs



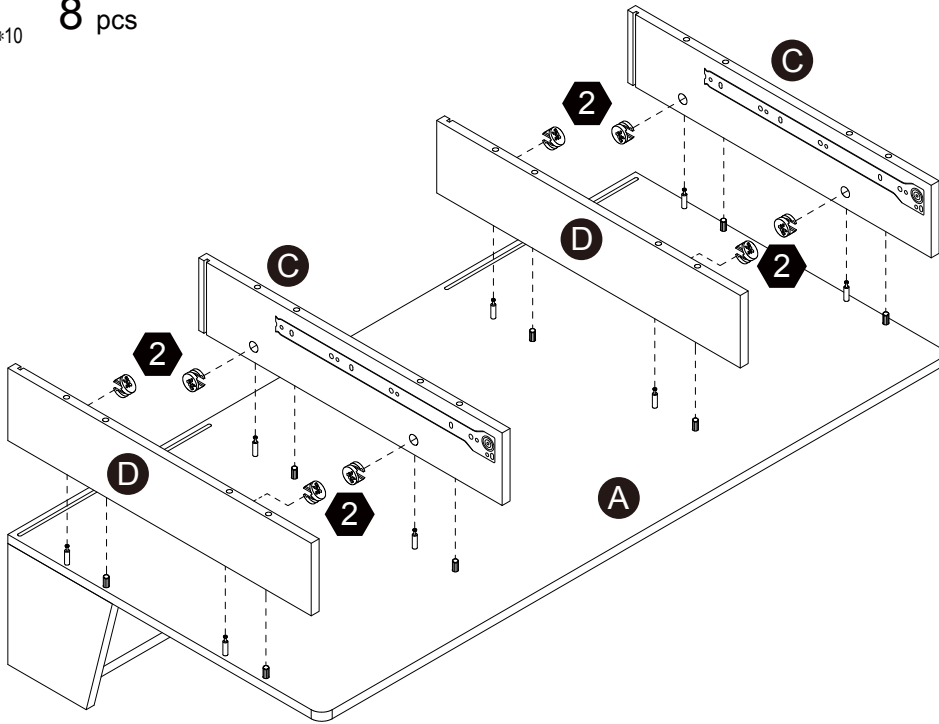
Scan for assembly instructions.

## Step 9

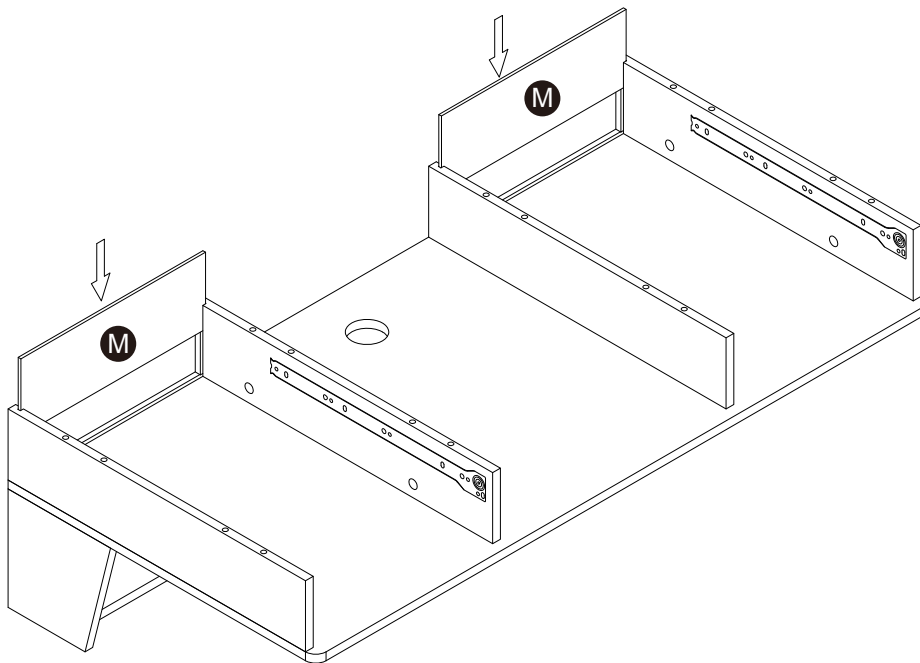
2



8 pcs



## Step 10



Scan for assembly instructions.

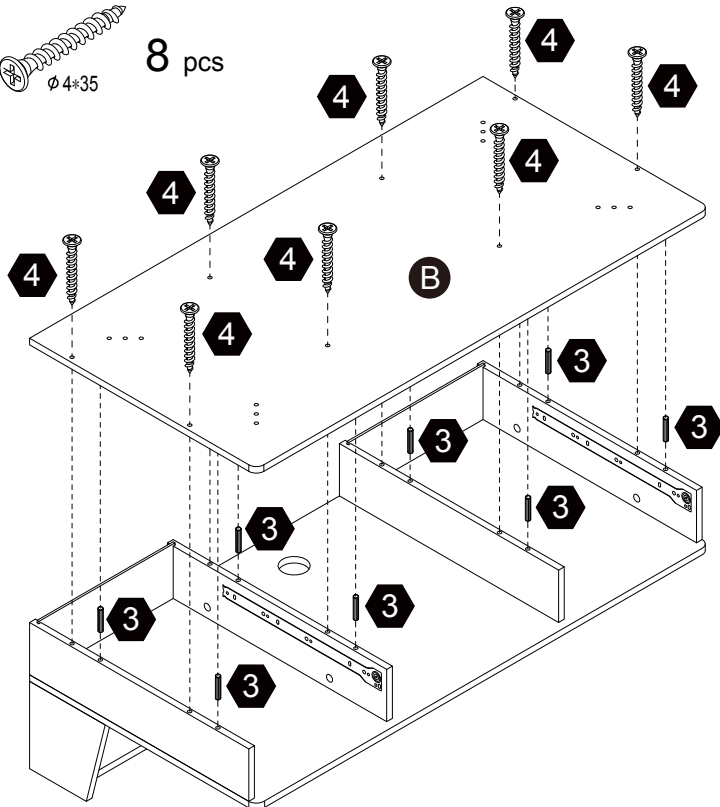
## Step 11



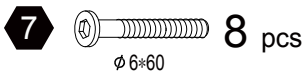
8 pcs



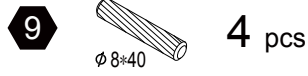
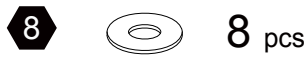
8 pcs



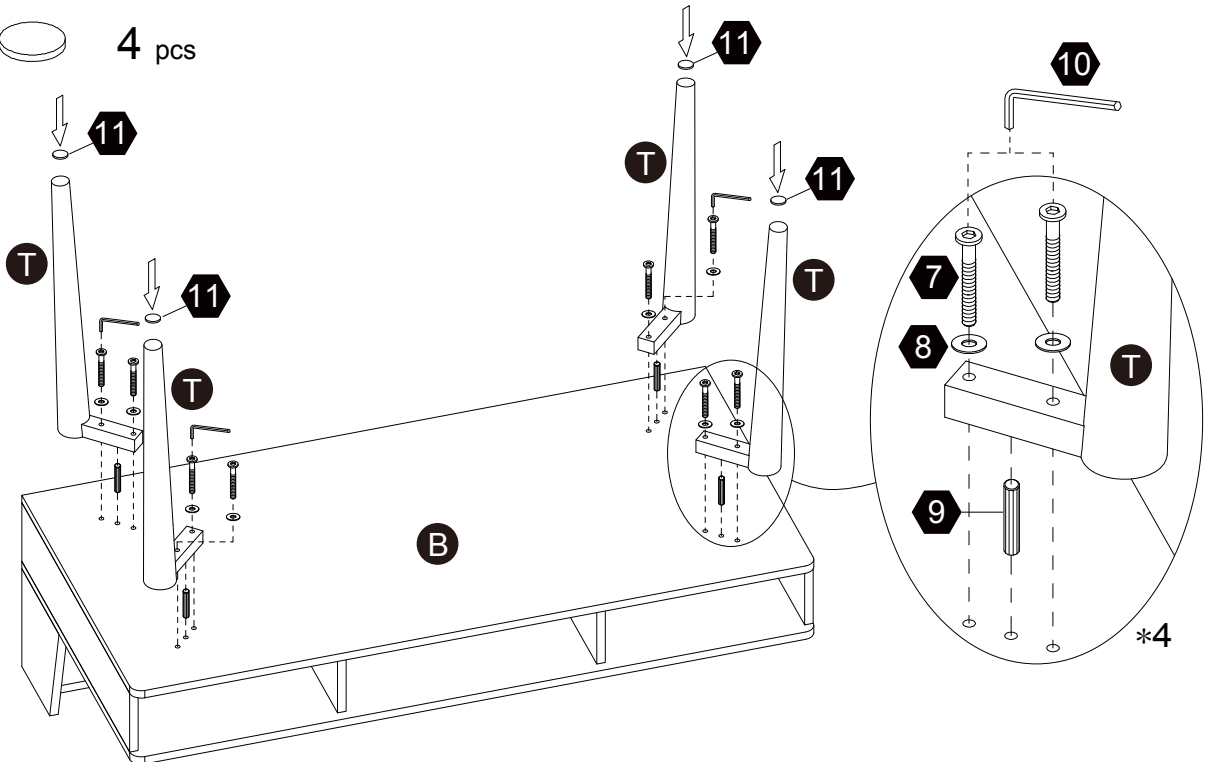
## Step 12



8 pcs




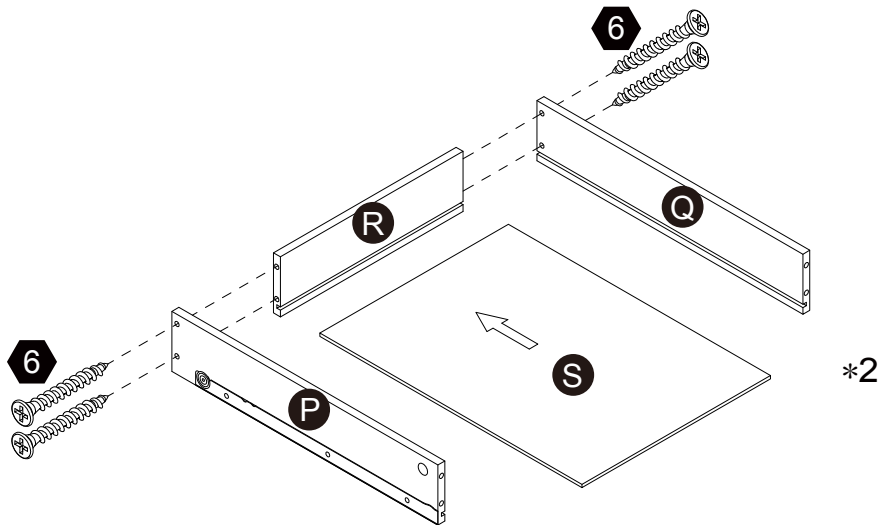
4 pcs



Scan for assembly instructions.

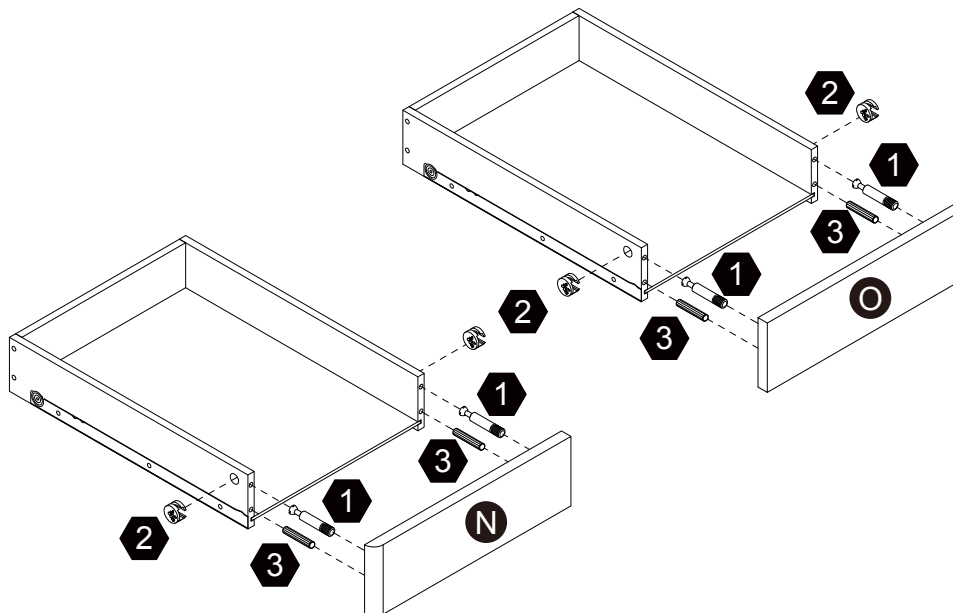
## Step 13

**6**   $\phi 4 \times 30$  8 pcs



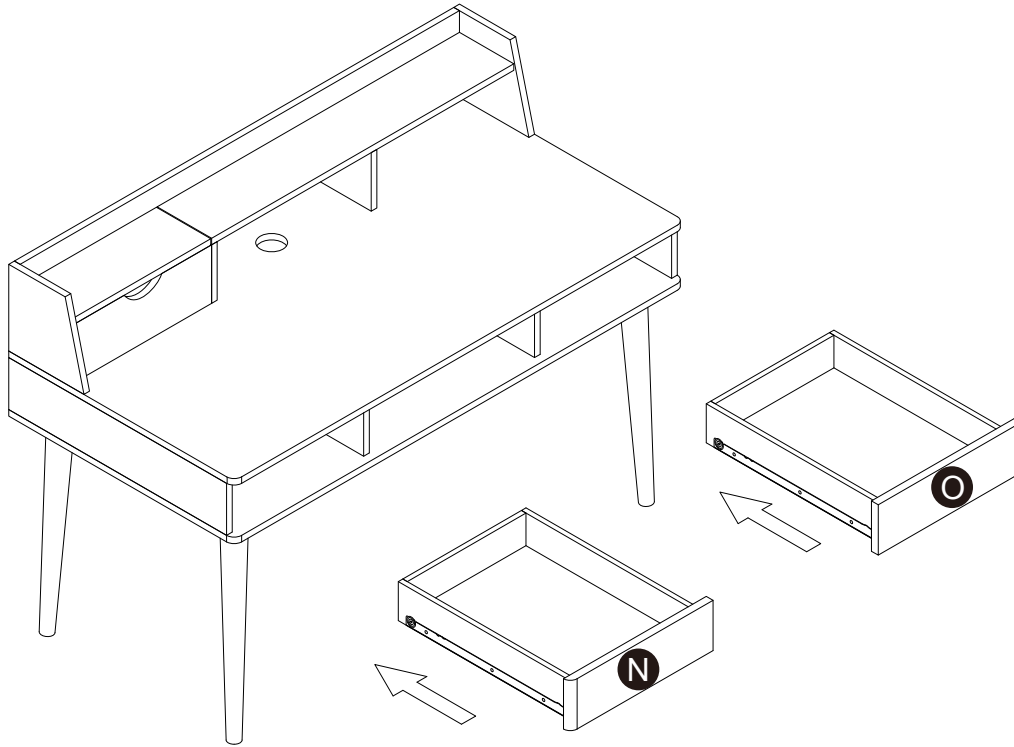
## Step 14

**1**  35mm 4 pcs    **2**   $\phi 15 \times 10$  4 pcs    **3**   $\phi 6 \times 30$  4 pcs

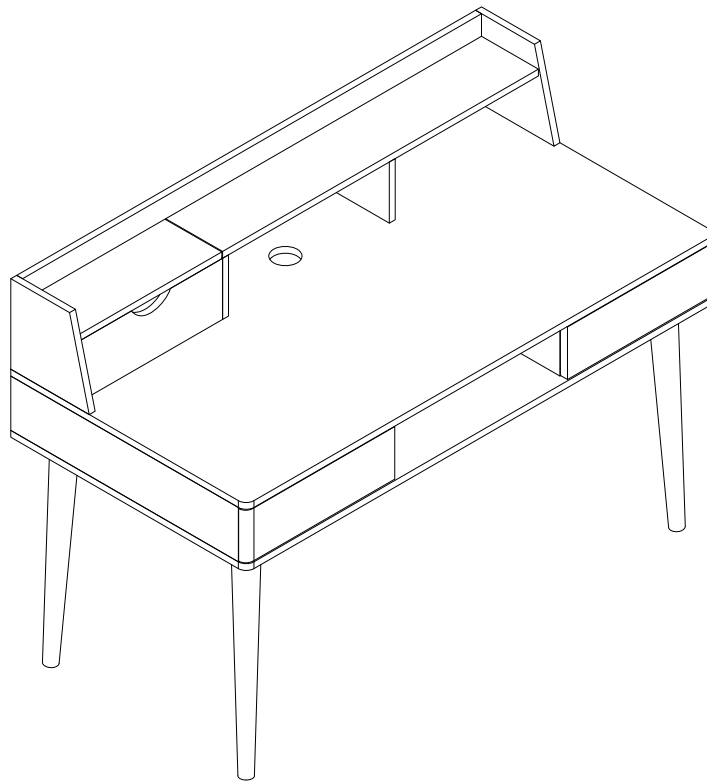


Scan for assembly instructions.

## Step 15



## Step 16



Scan for assembly instructions.