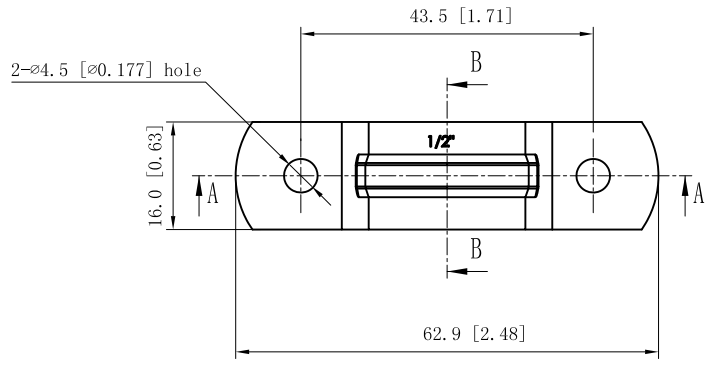
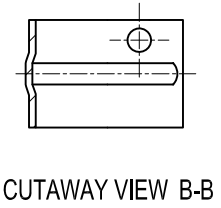
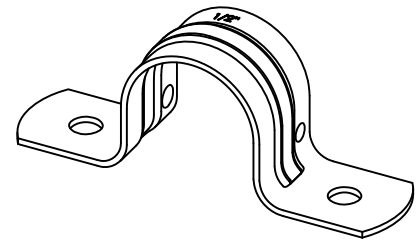
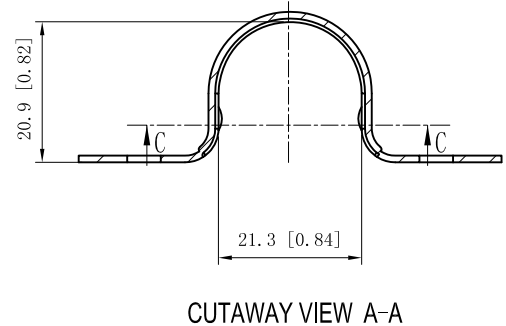
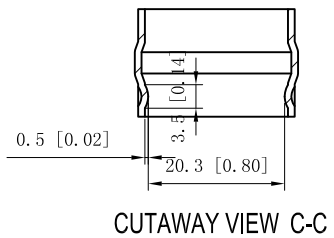


SIDES	BOTTOM
Material: 0.0396"-Stainless steel 316	



This data sheet is for reference only .GARVIN INDUSTRIES reserves the right to make changes to the design without prior notice.

DESCRIPTION
TRADE REFERENCE TERMS

STANDARD PACKING	GARVIN INDUSTRIES		
	TWO-HOLE STRAPS		
	TITLE		
	SIZE	DWG NO.	REV
	A4	THSSR-50	
DATA SHEET			
www.garvinindustries.com			