

**Talis C**  
**Pot Filler, Wall-Mounted**  
 Finishes : **steel optic** Part no. : **04218800**



**Description**

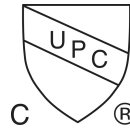
**Features**

- Swivel range 180°
- Aerated spray
- Wall-mounted
- Flow: 2.5 GPM (9.5 L/Min)
- 90° ceramic valves
- 1/2" NPT
- California Low Lead / Section 116875 CHSC

**Item details**

List Price \$ 1,176.00

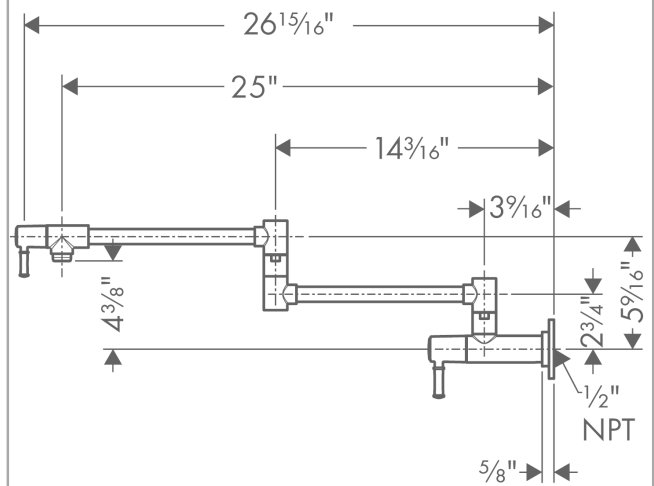
**Compliance**



**Product image**



**Scale drawing**

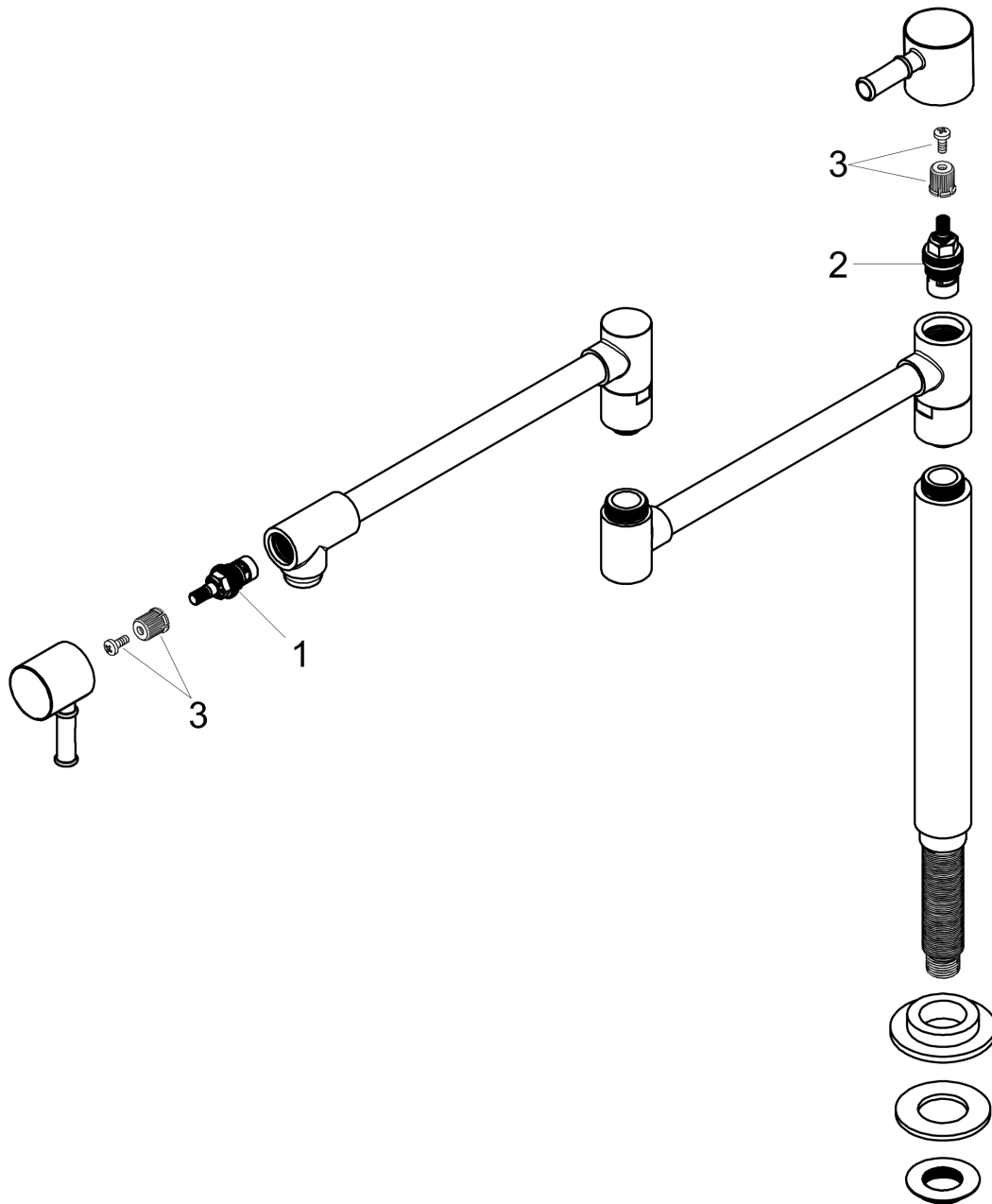


**Talis C**  
**Pot Filler, Wall-Mounted**  
 Finishes : **steel optic**    Part no. : **04218800**



**Exploded drawing**

Year of production: >07/10



**Talis C**  
**Pot Filler, Wall-Mounted**  
 Finishes : **steel optic**    Part no. : **04218800**



**Spare parts list**

Year of production: >07/10

| Pos. | Description       | Part no. | Price | PU |
|------|-------------------|----------|-------|----|
| 1    | shut off unit     | 88789000 | -     | 1  |
| 2    | shut off unit     | 88790000 | -     | 1  |
| 3    | handle fixing set | 98932000 | -     | 1  |