

# FRANKLIN EXT DINING TABLE

## ASSEMBLY INSTRUCTIONS



A. TABLE TOP 1 PC

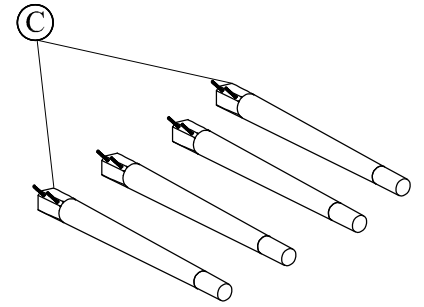
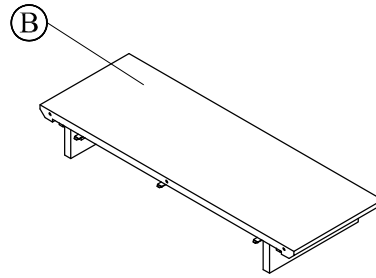
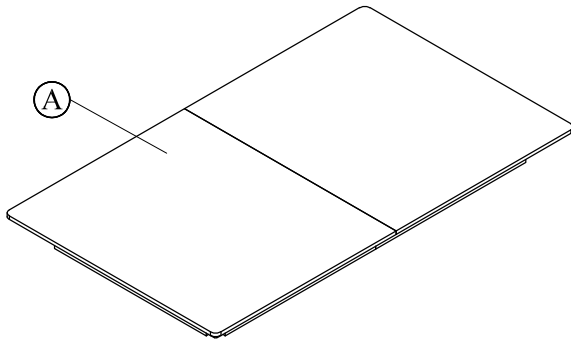
1 PC

B. EXTENSION LEAF 1 PC

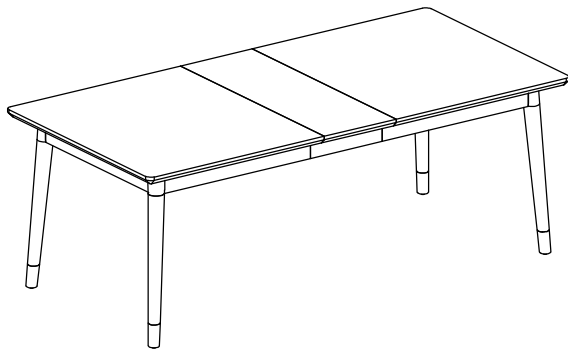
1 PC

C. LEG 4 PCS

4 PCS



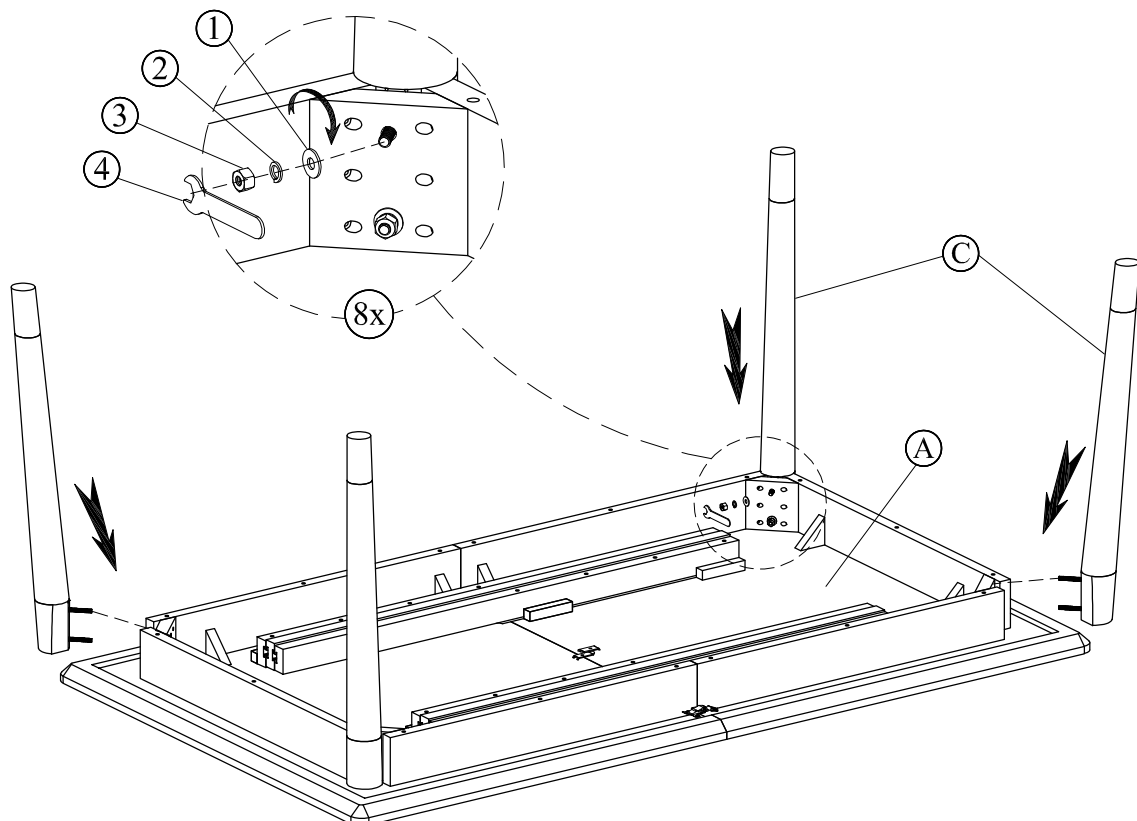
### FULLY ASSEMBLED



### HARDWARE KIT PACKED IN BOX

1	FLAT WASHER (M8)		8 PCS
2	LOCK WASHER (M9)		8 PCS
3	HEX NUT (M8)		8 PCS
4	WRENCH		1 PC

### STEP 1

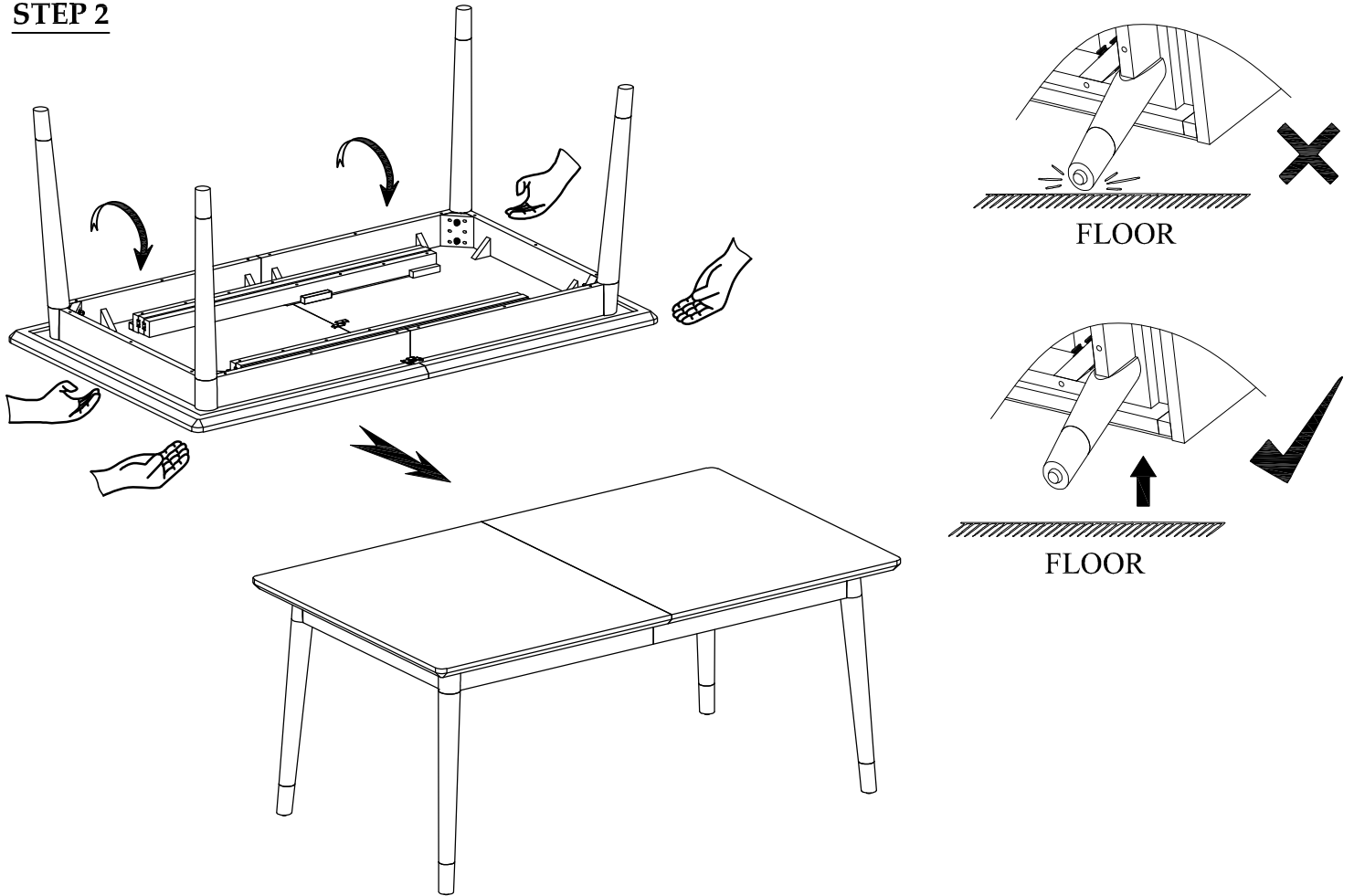


# FRANKLIN EXT DINING TABLE

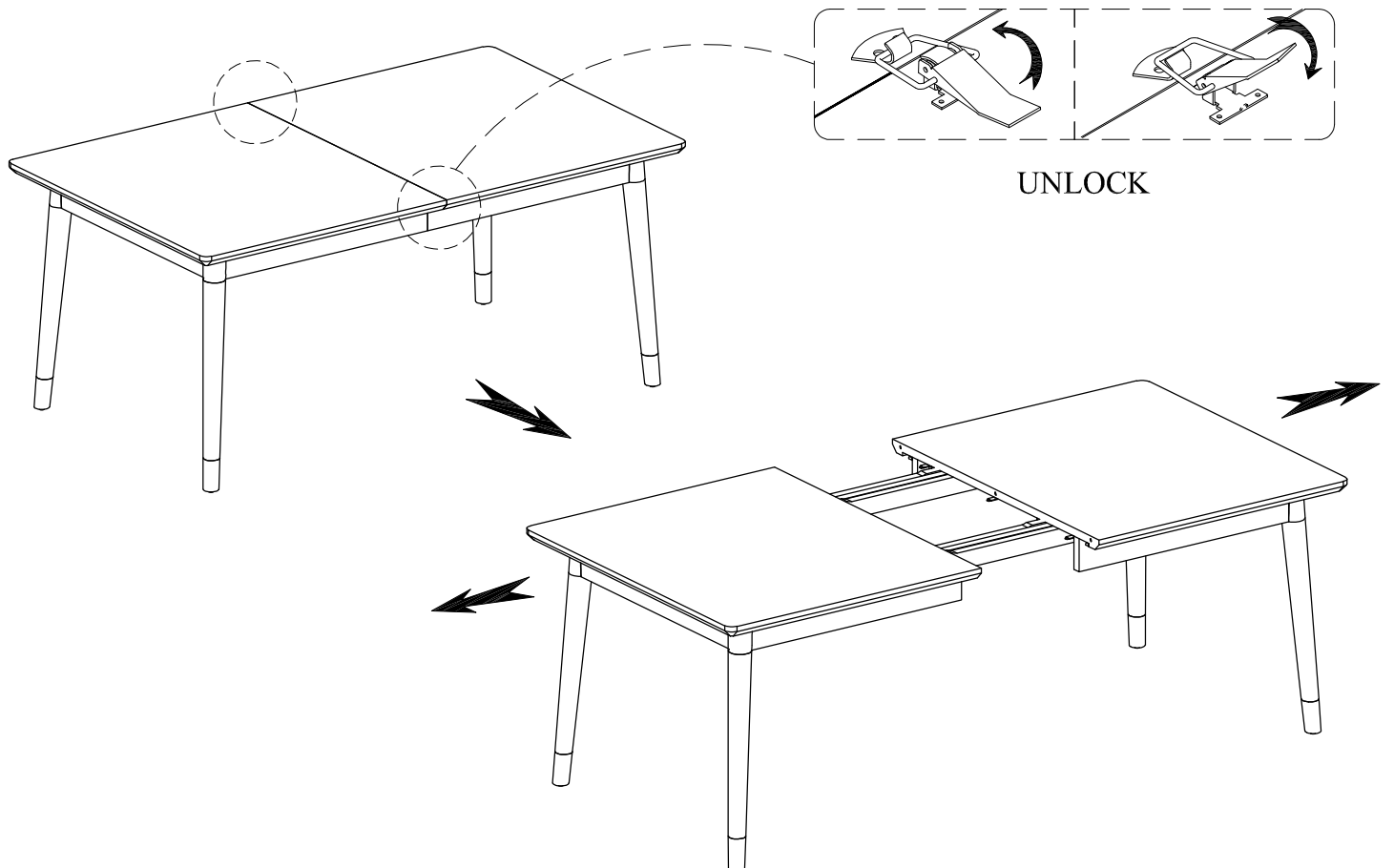
## ASSEMBLY INSTRUCTIONS



### STEP 2



### STEP 3

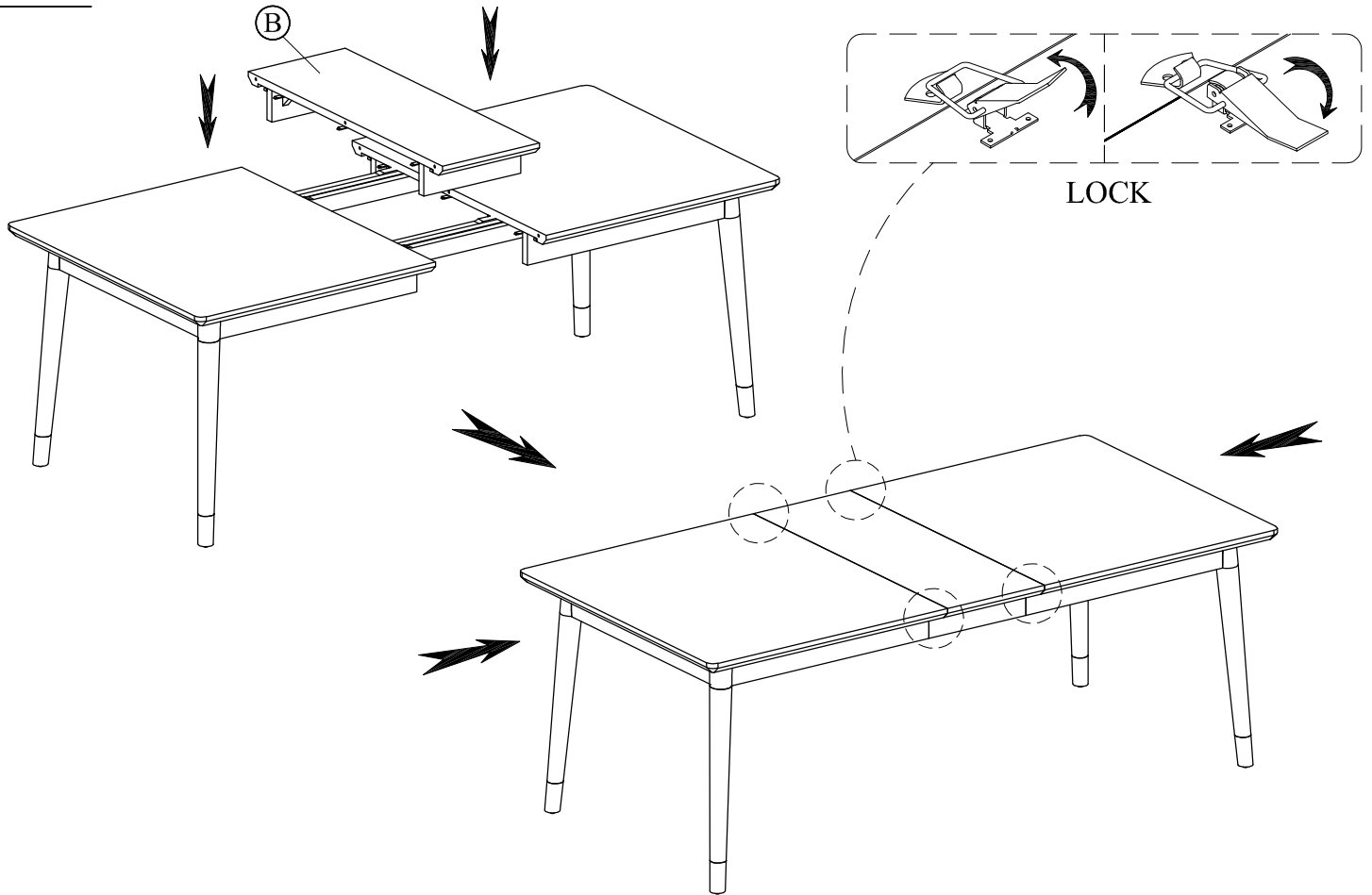


# FRANKLIN EXT DINING TABLE

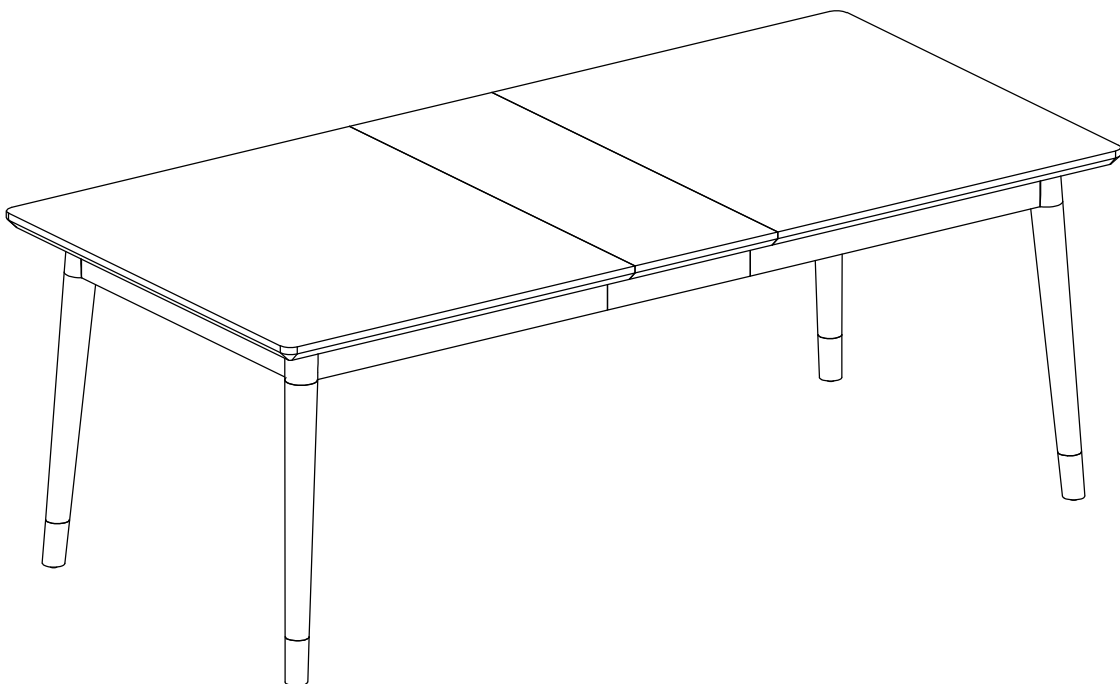
## ASSEMBLY INSTRUCTIONS



### STEP 4



### STEP 5



ASSEMBLY COMPLETE