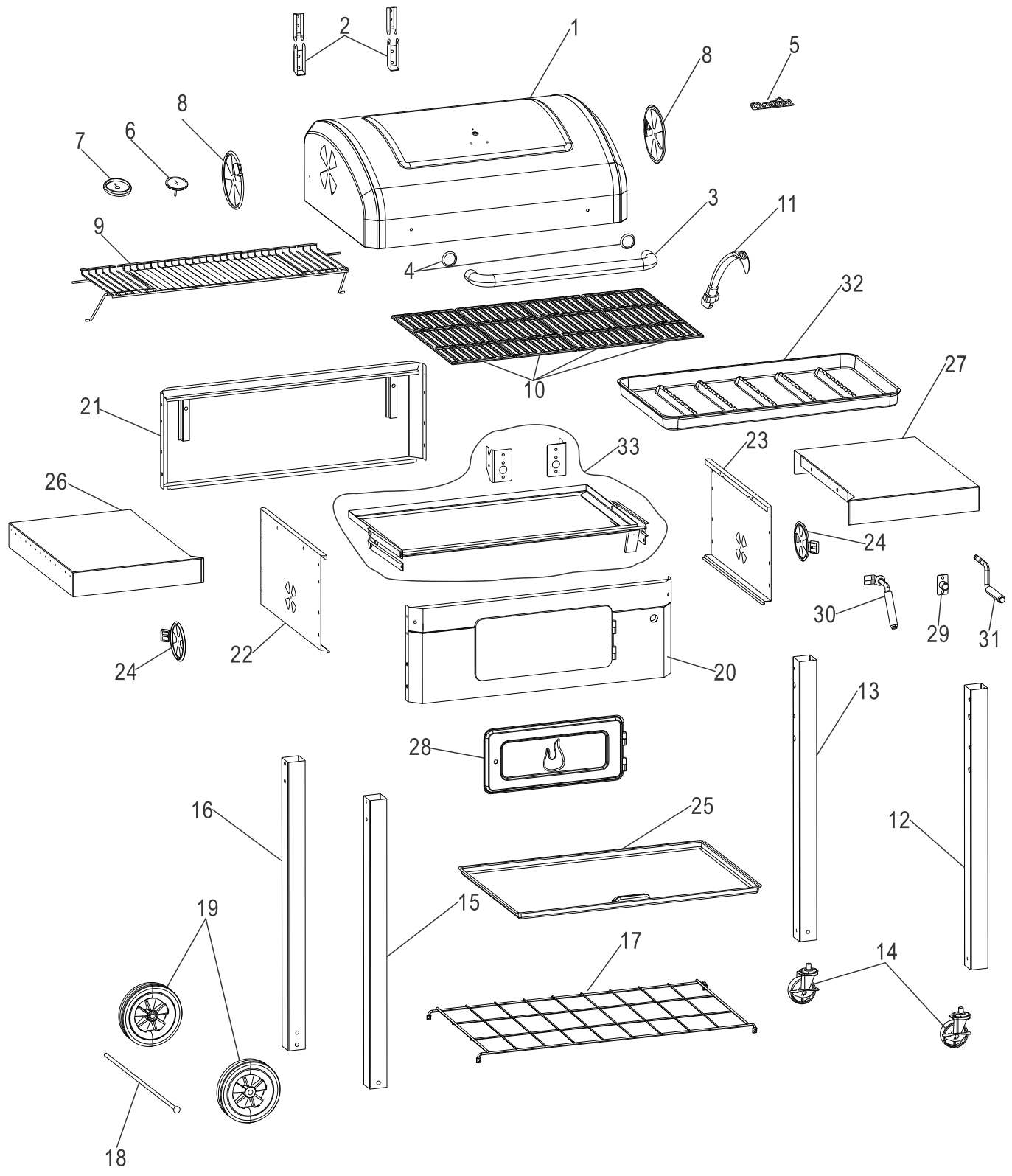


PARTS DIAGRAM



PARTS LIST

Key	Qty	Description
1	1	LID ASSEMBLY
2	2	HINGE KIT, F/ LID
3	1	LID HANDLE
4	2	HANDLE SEAT
5	1	LOGO PLATE
6	1	TEMPERATURE GAUGE
7	1	BEZEL, F/ TEMPERATURE GAUGE
8	2	DAMPER, F/ TOP LID
9	1	SWING-AWAY GRATE
10	4	COOKING GRATE
11	1	COOKING GRATE LIFTER
12	1	RIGHT LEG, FRONT
13	1	RIGHT LEG, REAR
14	2	CASTER
15	1	LEFT LEG, FRONT
16	1	LEFT LEG, REAR
17	1	BOTTOM SHELF
18	1	AXLE
19	2	WHEEL
20	1	FIREBOX FRONT PANEL
21	1	FIREBOX REAR PANEL
22	1	FIREBOX SIDE PANEL, LEFT
23	1	FIREBOX SIDE PANEL, RIGHT
24	2	DAMPER, F/ FIREBOX
25	1	ASH PAN
26	1	SIDE SHELF, LEFT
27	1	SIDE SHELF, RIGHT
28	1	CHARCOAL DOOR
29	1	CRANKSHAFT BUSHING
30	1	HANDLE, F/ CHARCOAL DOOR
31	1	CRANKSHAFT
32	1	CHARCOAL PAN
33	1	ADJUST ASSEMBLY, F/ CHARCOAL PAN

NOT Pictured

...	1	HARDWARE PACK
...	1	ASSEMBLY MANUAL, ENGLISH, FRENCH, SPANISH