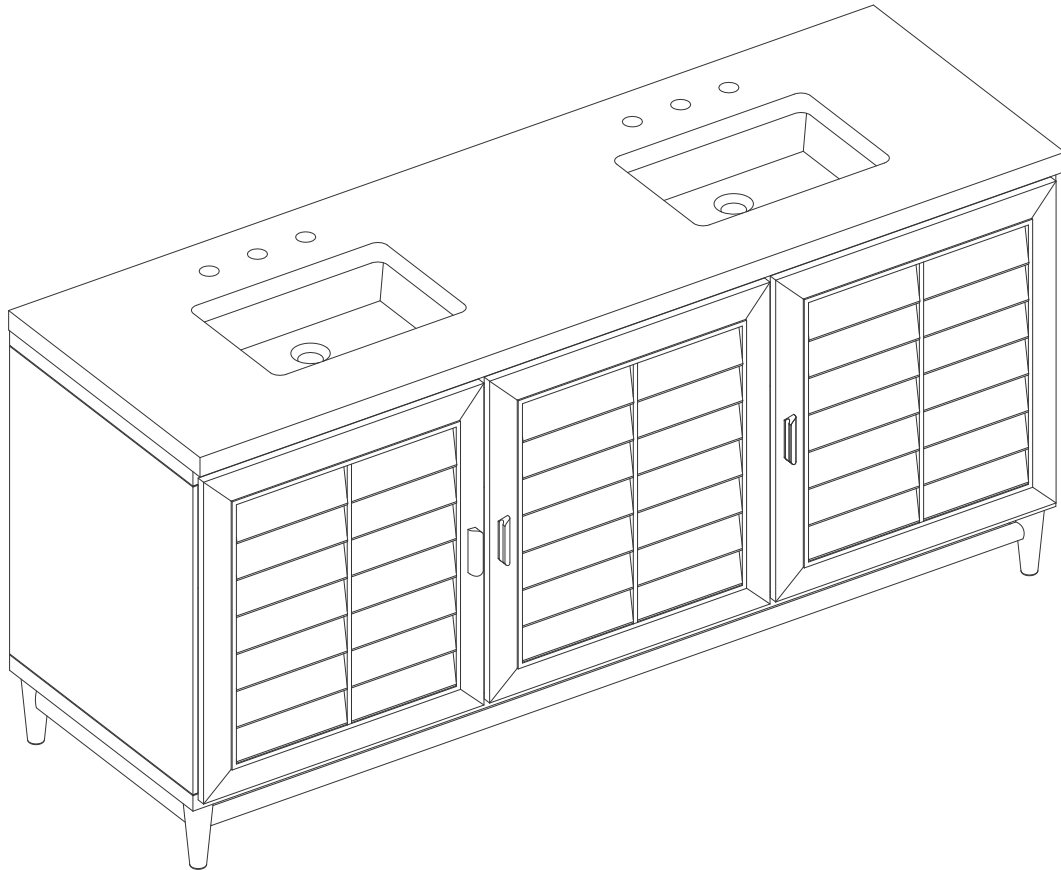


72" PORTLAND VANITY

620-V72-WW

JAMES MARTIN
VANITIES



Features and Materials

Solids: Soft Maple and Yellow Poplar

Veneers: Birch

Panels: Plywood

Installation Type: Floor Standing

Number of Basins: Two, with Optional 3cm Top

Vanity Top Included: NO, Optional 3cm Tops Available with Sinks

Overflow: Yes, Front Facing

Number of Doors: Three

Number of Drawers: Ten

Assembly Required: Installation of Optional 3cm Top with Sink

Drawer Box Material and Construction: 12mm Plywood/English Dovetail Joinery

Hardware: Whitewashed Walnut (Wood)

Fits Drain Hole Size: 1 3/4"

Full Extension, Soft Close Glides

European Soft Close Hinges

Aluminum Laminate Drawer Liners

Adjustable Levelers

Dimension

Width: 71-7/8"

Depth: 23-1/2"

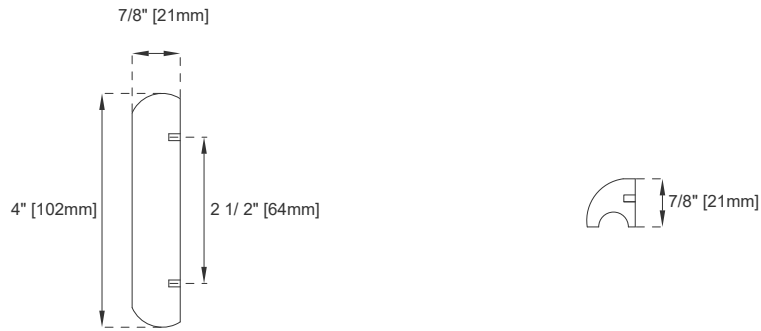
Height: 33"

Rough-In Height: 21-1/2"

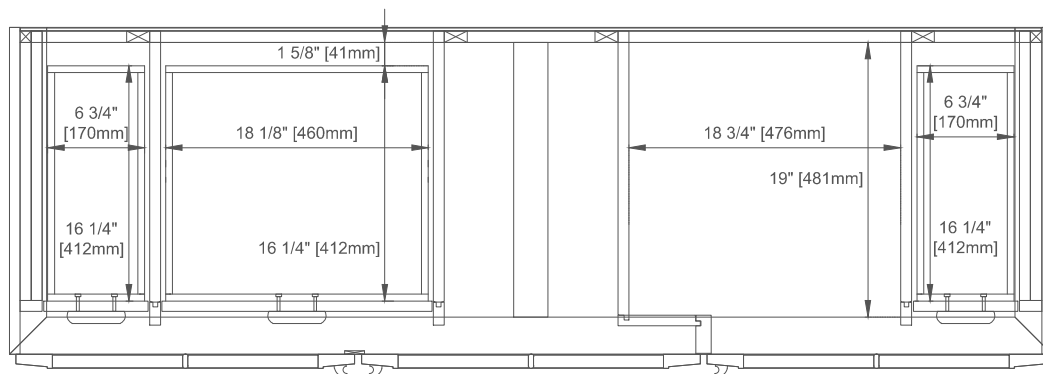
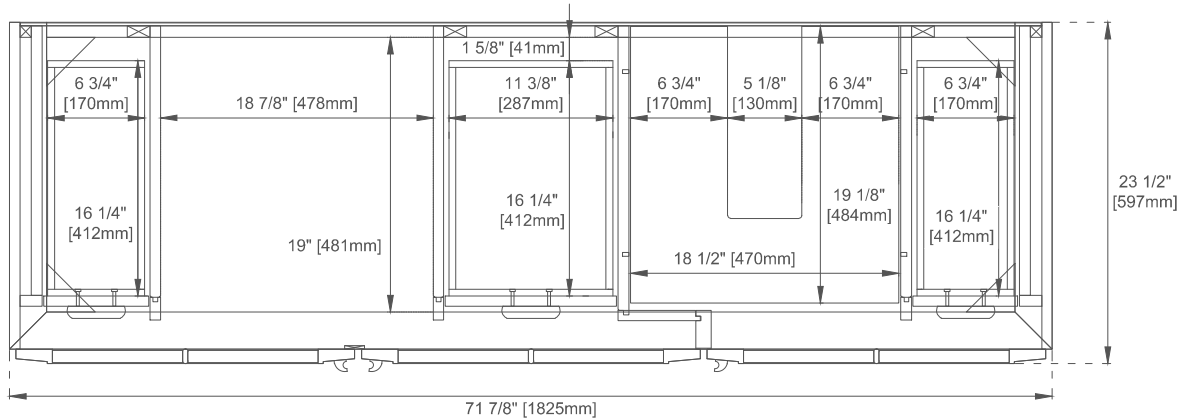
72" PORTLAND VANITY

620-V72-WW

JAMES MARTIN VANITIES



Pull



Top View

All dimensions are nominal

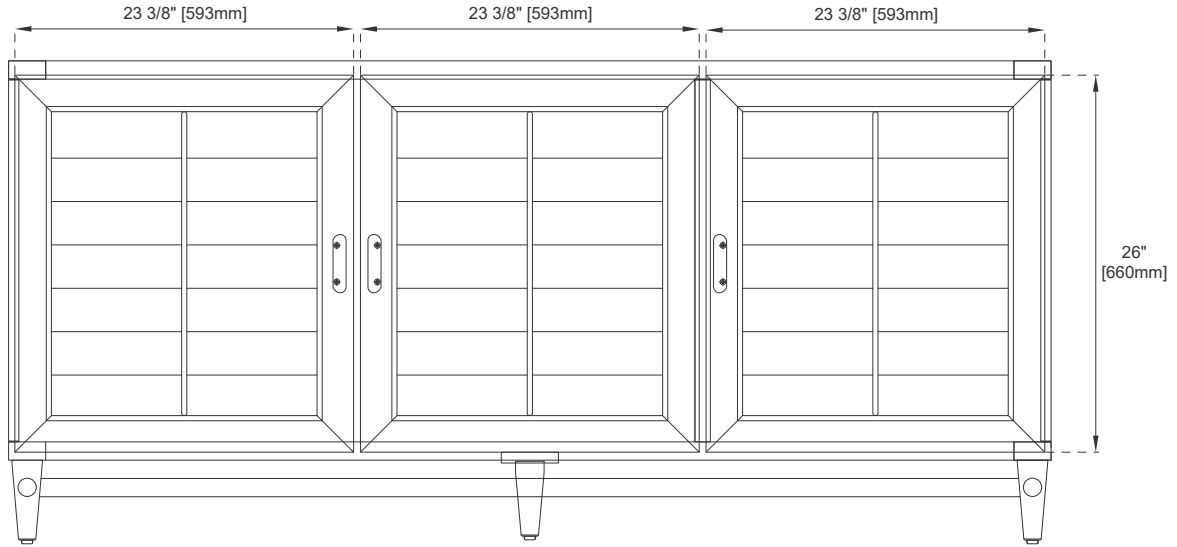
Diagrams are of cabinet only—James Martin Optional Countertops and sinks are not shown

Visit website for warranty and installation information
www.jamesmartinvanities.com

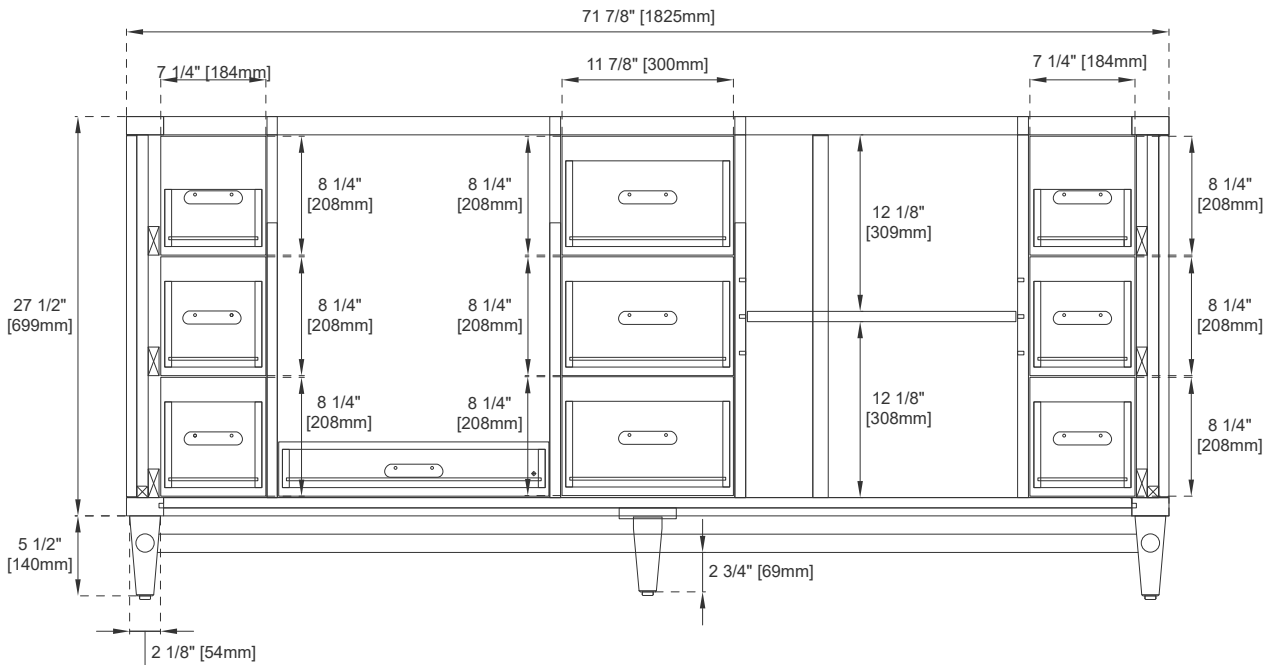
72" PORTLAND VANITY

620-V72-WW

JAMES MARTIN VANITIES



Front View



Front View

All dimensions are nominal

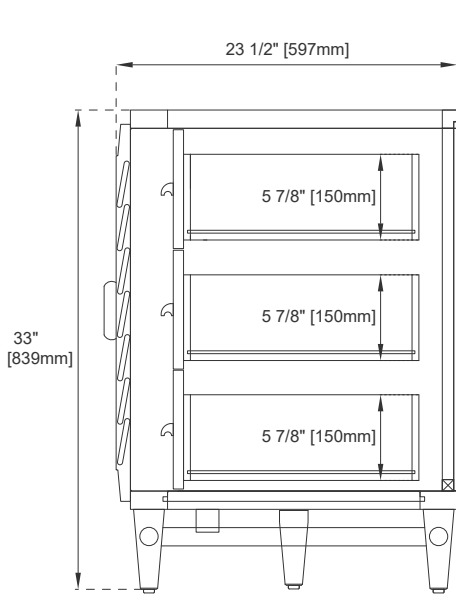
Diagrams are of cabinet only—James Martin Optional Countertops and sinks are not shown

Visit website for warranty and installation information
www.jamesmartinvanities.com

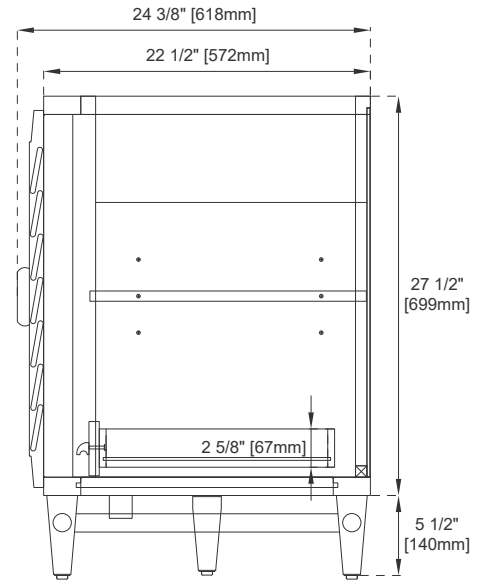
72" PORTLAND VANITY

620-V72-WW

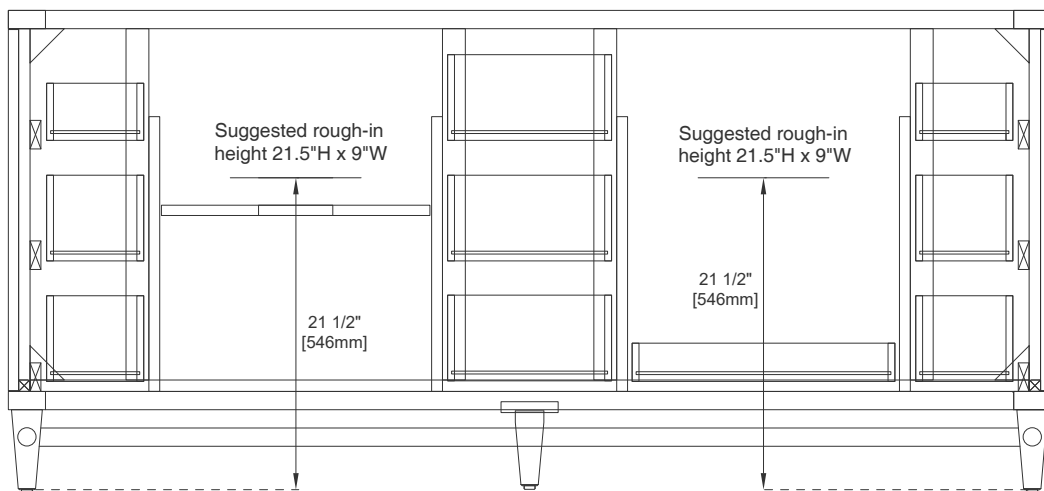
JAMES MARTIN VANITIES



Side View



Side View



Back View

All dimensions are nominal
Diagrams are of cabinet only—James Martin Optional Countertops and sinks are not shown

Visit website for warranty and installation information
www.jamesmartinvanities.com