

A

B

C

D

E

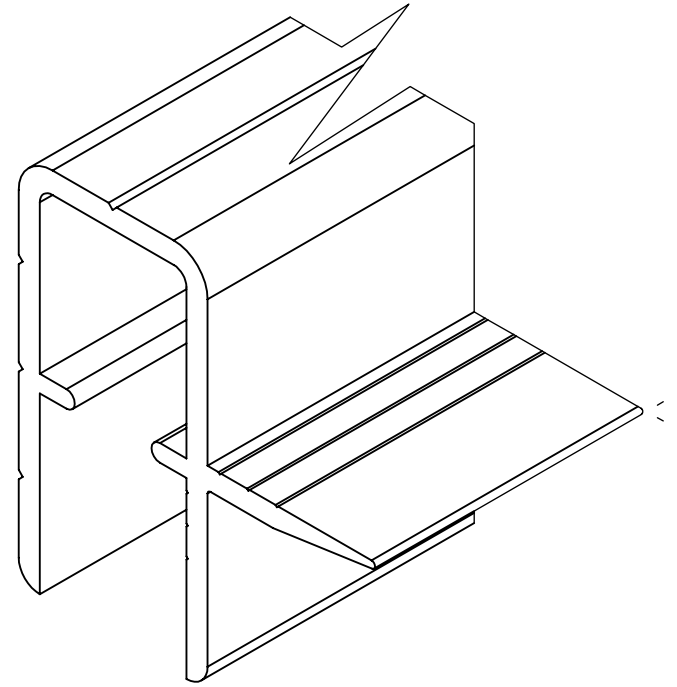
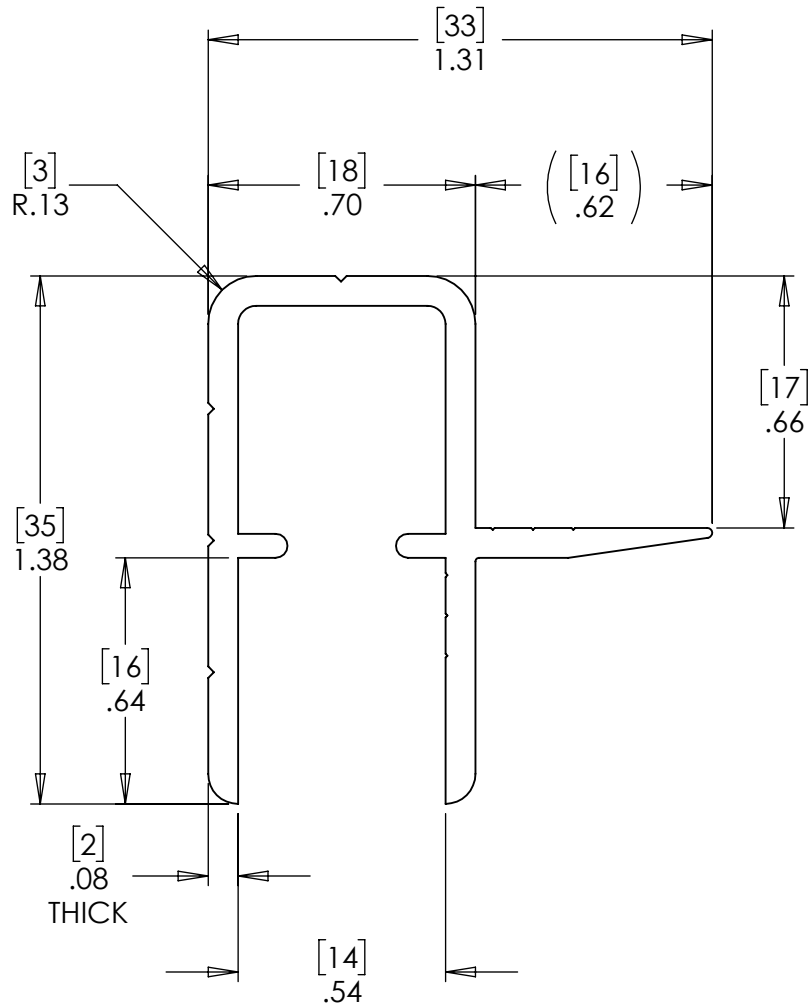
F

1

2

3

4



1

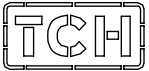
2

3

4

NOTES:

- 1. - ALL DIMENSIONS ARE IN INCHES [MILLIMETERS]
- 2. - MATERIAL: ALUMINUM
- 3. - FINISH: MILL FINISH

THE INFORMATION CONTAINED IN THIS DRAWING IS THE SOLE PROPERTY OF TRANS CONTINENTAL HARDWARE. ANY REPRODUCTION IN PART OR AS A WHOLE WITHOUT THE WRITTEN PERMISSION OF TRANS CONTINENTAL HARDWARE IS PROHIBITED.			
 TRANS CONTINENTAL HARDWARE			
PART NAME 1/2" FLUSH LID DOOR			
MATERIAL ALUMINUM			
DRAWING NO. 507-3119806-CUST			REVISION NO.
DATE 3/22/2016	SCALE 2:1	THIRD ANGLE PROJECTION DRAWING	
ALL DIMENSIONS WITHOUT TOLERANCES ARE REFERENCE			
SPECIFICATION SUBJECT TO CHANGE WITHOUT NOTICE			
			B

A

B

C

D

E

F