

FLEXSTEEL®

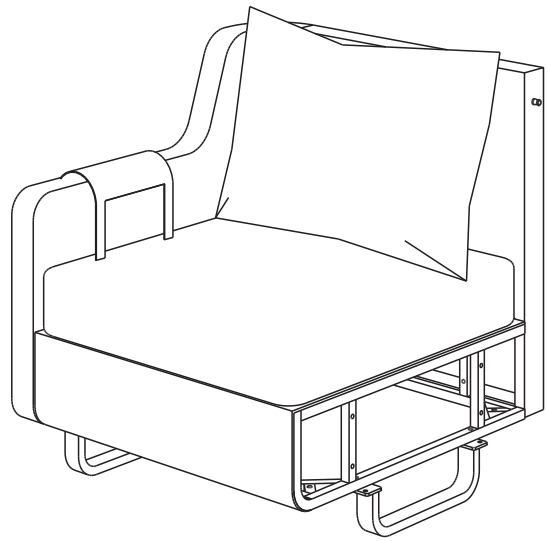
OUTDOOR LIVING

G6000-17 LAF CHAIR

IMPORTANT NOTE

Carefully remove all the parts from the carton and put them individually on a soft cloth to prevent damage to the parts.

We have taken great care in the design of this product and request that you carefully and accurately follow our assembly instructions to ensure proper set-up.

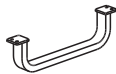


Part List

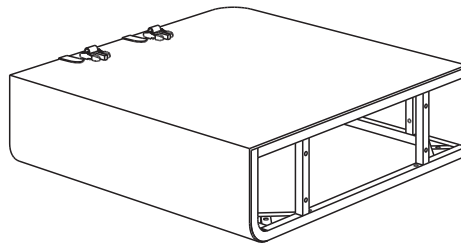
Assembly Instruction 1/13



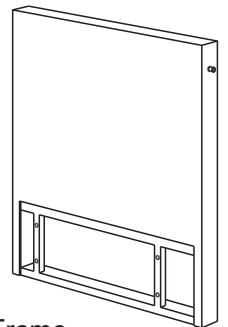
A.
Long Leg
1 pc.



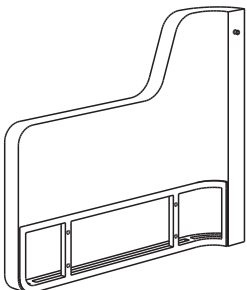
B.
Short Leg
1 pc.



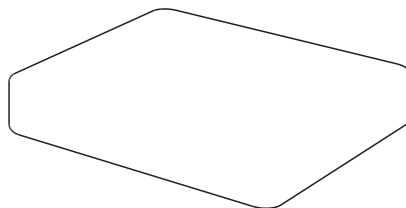
C.
Base Frame
1 pc.



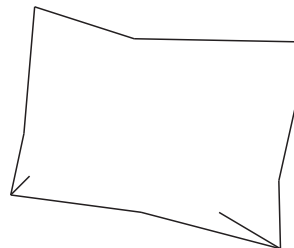
D.
Back Frame
1 pc.



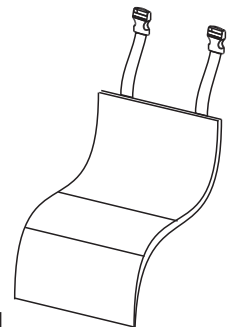
E.
Left Armrest Frame
1 pc.



F.
Seat Cushion
1 pc.



G.
Back Cushion
1 pc.



I.
Pouch
1 pc.

Hardware List

Note: Short Bolt (1) x2pcs, Long Bolt (3) x 4pcs, Small Flat Washer (4) x2pcs, Large Flat Washer (5) x4pcs, Nut (6) x 4pcs and Key Wrench are needed when connecting two units.



1.
M6x20
Short Bolt
8 pcs.



2.
M6x50
Medium Bolt
8 pcs.



3.
M6x70
Long Bolt
4 pcs.



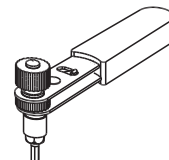
4.
M6xØ12
Small Flat Washer
8 pcs.



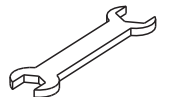
5.
M6xØ16
Large Flat Washer
12 pcs.



6.
M6
Nut
4 pcs.



Ratchet Wrench
1 pc.



Key Wrench
1 pc.

IMPORTANT

- Do not tighten up all the bolts until each part is properly assembled.
- Keep the Ratchet Wrench and Key Wrench in a safe place as you may need to tighten up the bolts in the future.
- Use a soft cloth between these parts and the floor.

STEP 1

Attach Base Frame (C) to Back Frame (D) with Medium Bolt (2), Large Flat Washer (5) and tighten with Ratchet Wrench. (See Figure 1)

Note: Ratchet Wrench button is in tighten position.

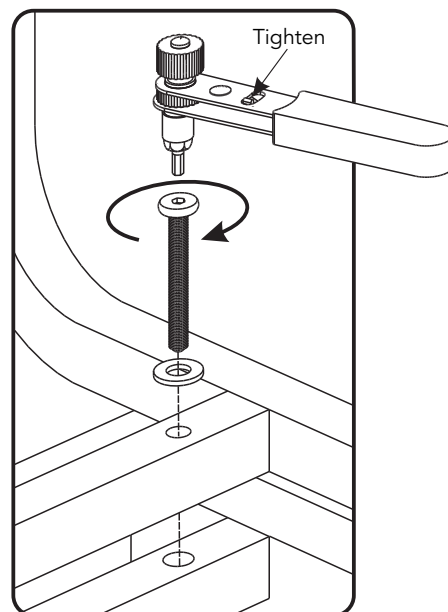
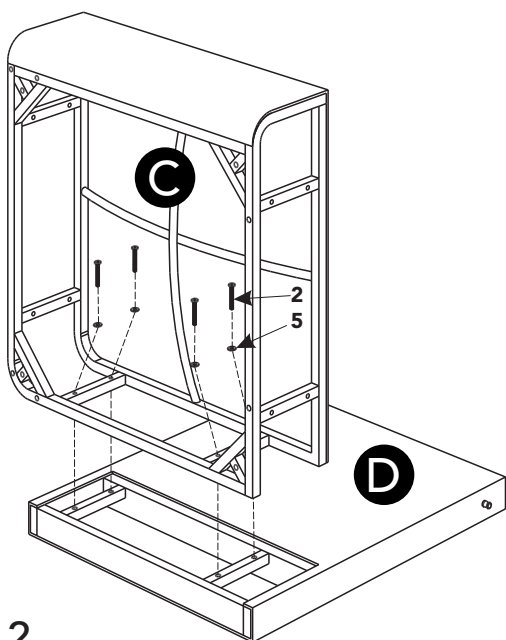


Figure 1

STEP 2

Insert the hook on Left Armrest Frame (E) into the hole on Back Frame (D), connect the Left Armrest Frame (E) to Base Frame (C) with Medium Bolt (2), Large Flat Washer (5) and tighten with Ratchet Wrench. (See Figure 2)

Note: Pull the tab out before connecting the Left Armrest Frame (E).

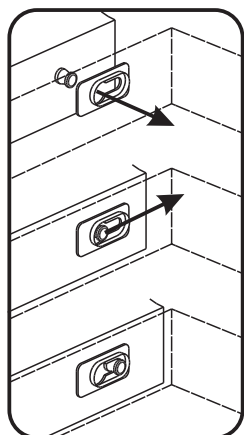
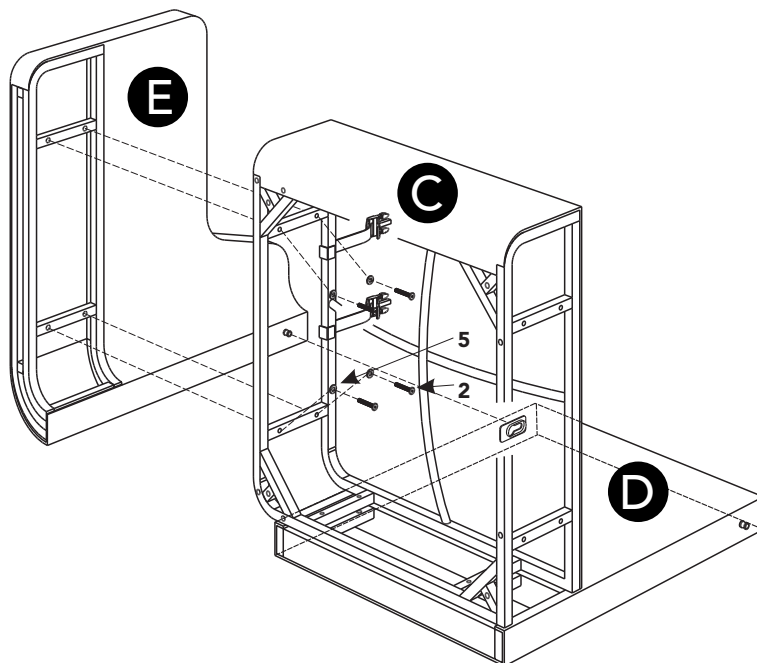


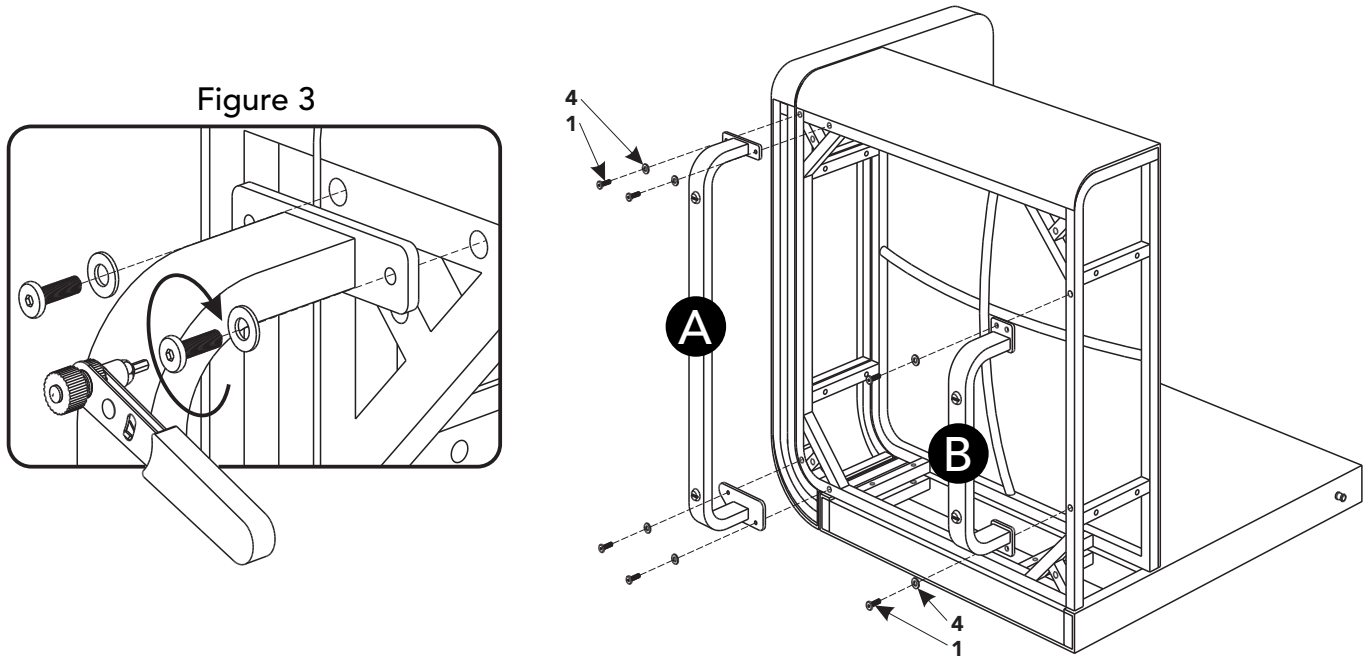
Figure 2



STEP 3

Attach Long Leg (A), Short Leg (B) to unit with Short Bolt (1), Small Flat Washer (4) and tighten with Ratchet Wrench. (See Figure 3)

Note: Do not tighten the bolts on Short Leg, align the holes with another unit of chair then tighten.



STEP 4

Turn unit to its upright position.

Place pouch over the left arm by attaching the buckles on the pouch to the buckles on the chair frame. (See Figure 4)

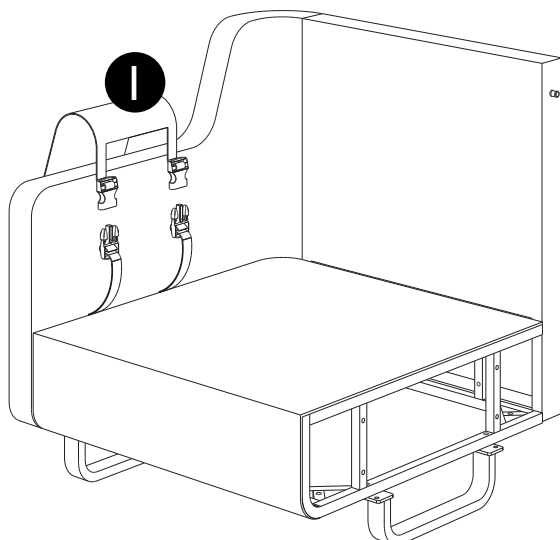
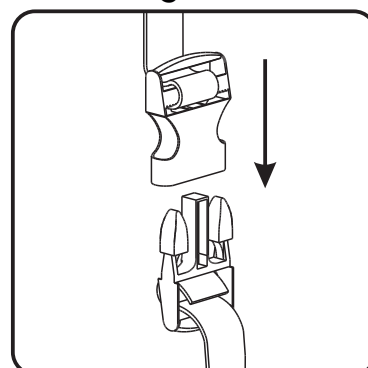


Figure 4



FLEXSTEEL®

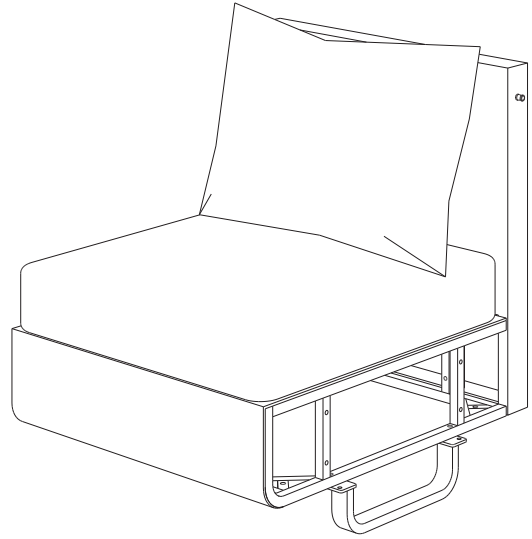
OUTDOOR LIVING

G6000-19 ARMLESS CHAIR

IMPORTANT NOTE

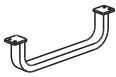
Carefully remove all the parts from the carton and put them individually on a soft cloth to prevent damage to the parts.

We have taken great care in the design of this product and request that you carefully and accurately follow our assembly instructions to ensure proper set-up.

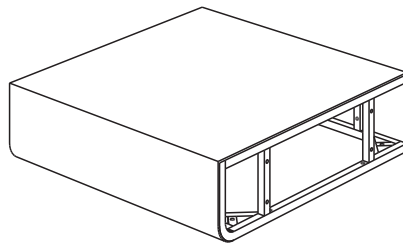


Part List

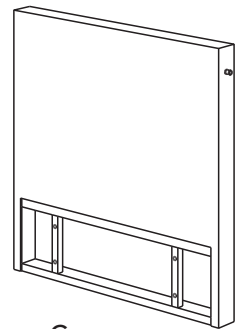
Assembly Instruction 1/3



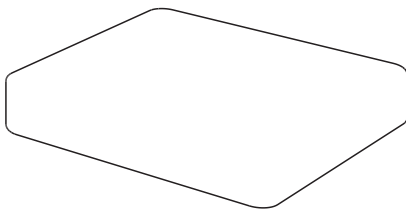
A.
Short Leg
1 pc.



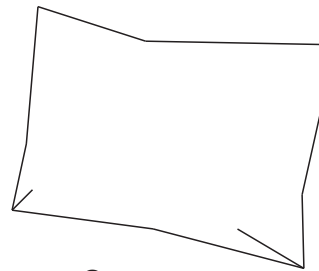
B.
Base Frame
1 pc.



C.
Back Frame
1 pc.



F.
Seat Cushion
1 pc.



G.
Back Cushion
1 pc.

Hardware List

Note: Short Bolt (1)x2pcs, Long Bolt (3), Small Flat Washer (4)x2pcs, Large Flat Washer (5)x4pcs and Nut(6) are needed when connecting two units.



1.
M6x20
Short Bolt
4 pcs.



2.
M6x50
Medium Bolt
4 pcs.



3.
M6x70
Long Bolt
4 pcs.



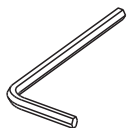
4.
M6xØ12
Small Flat Washer
4 pcs.



5.
M6xØ16
Large Flat Washer
8 pcs.



6.
M6
Nut
4 pcs.



Hex Wrench
1 pc.

IMPORTANT

- Do not tighten up all the bolts until each part is properly assembled.
- Keep the Hex Wrench in a safe place as you may need to tighten up the bolts in the future.
- Use a soft cloth between these parts and the floor.

STEP 1

Attach Base Frame (B) to Back Frame (C) with Medium Bolt (2), Large Flat Washer (5) and tighten with Hex Wrench. (See Figure 1)

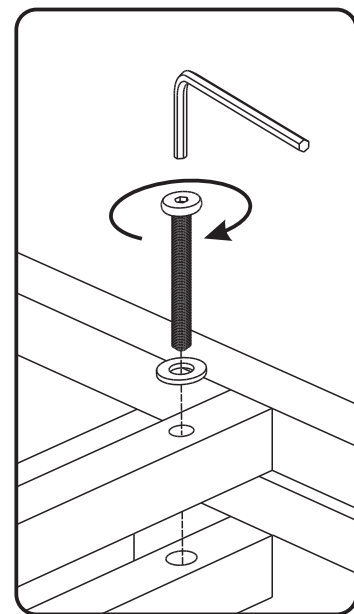
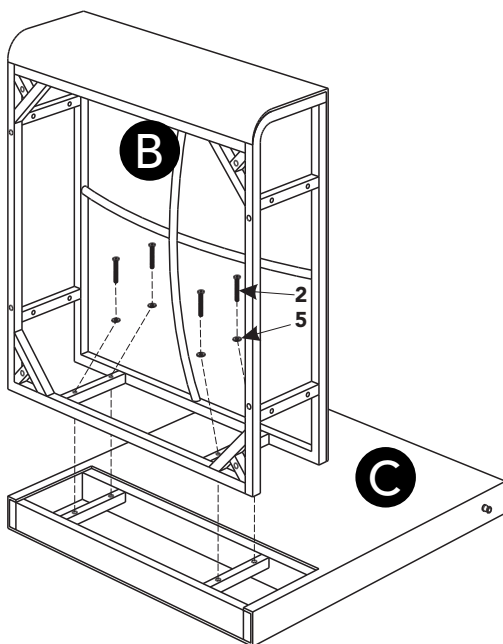


Figure 1

STEP 2

Attach Short Leg (A) to unit with Short Bolt (1), Small Flat Washer (4) and tighten with Hex Wrench. (See Figure 2)

Note: Do not tighten the bolts on Short Leg, align the holes with another unit of chair then tighten.

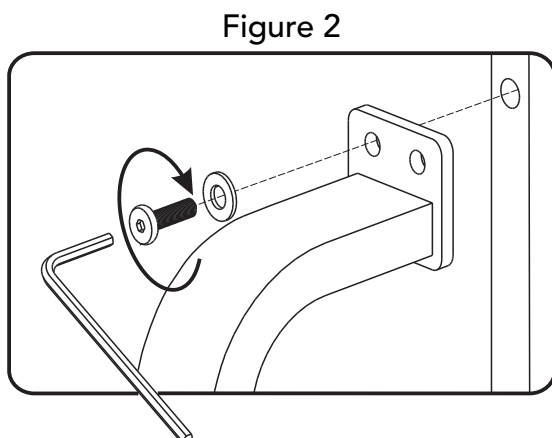
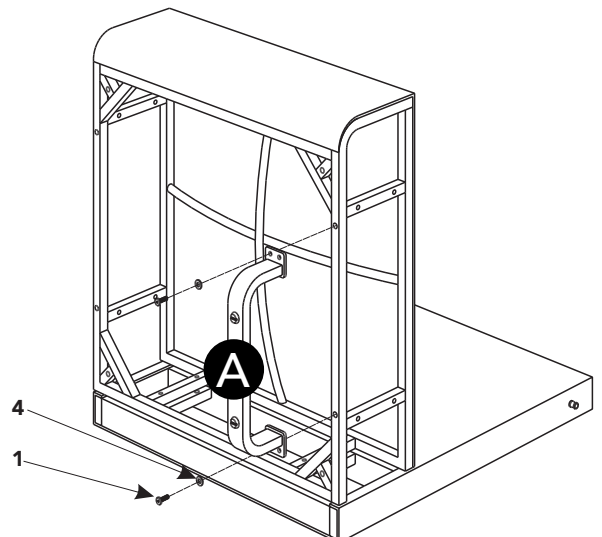


Figure 2



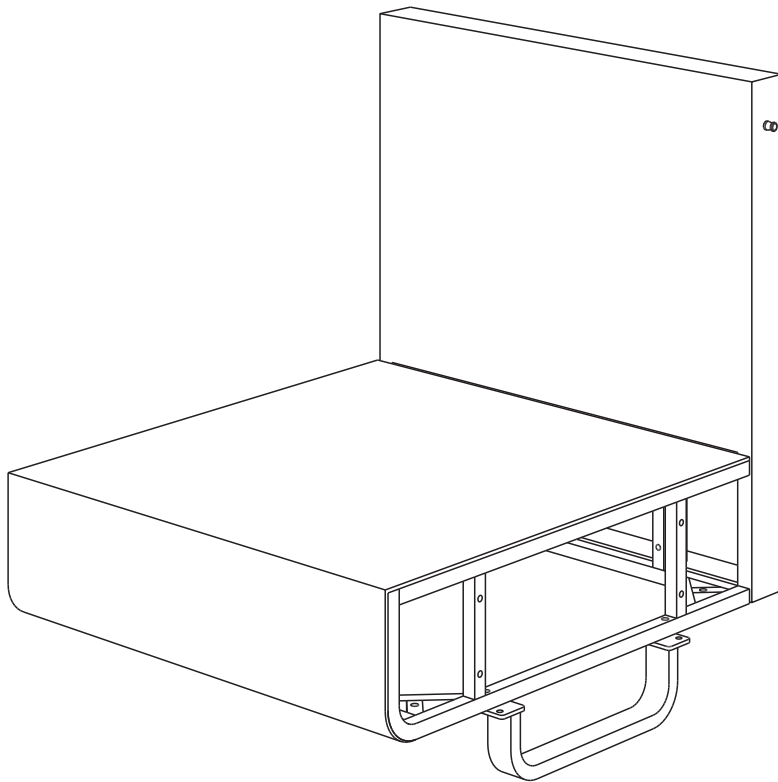
FLEXSTEEL®

OUTDOOR LIVING

Assembly Instruction 3/3

STEP 3

Turn unit to its upright position.



Note: Please refer to Loveseat/Sofa/Sectional assembly instructions included with G6000-17 LAF Chair

FLEXSTEEL®

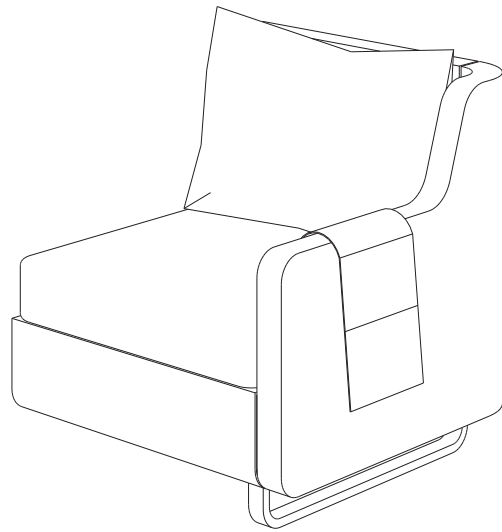
OUTDOOR LIVING

G6000-18 RAF CHAIR

IMPORTANT NOTE

Carefully remove all the parts from the carton and put them individually on a soft cloth to prevent damage to the parts.

We have taken great care in the design of this product and request that you carefully and accurately follow our assembly instructions to ensure proper set-up.

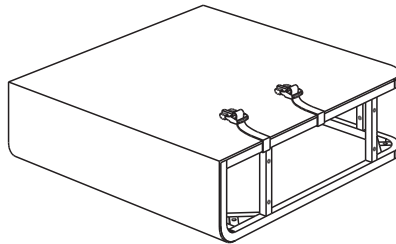


Part List

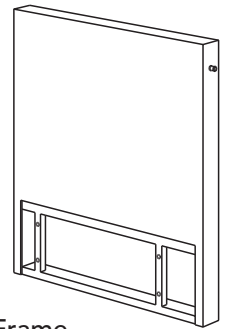
Assembly Instruction 1/3



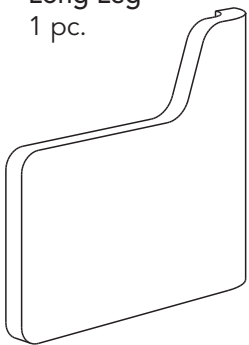
A.
Long Leg
1 pc.



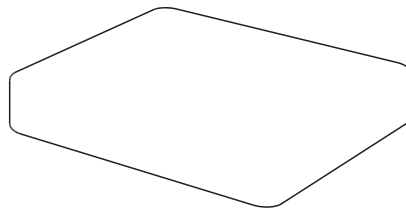
B.
Base Frame
1 pc.



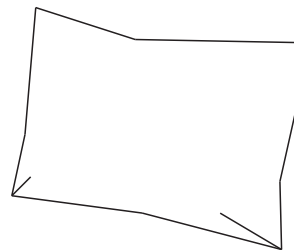
C.
Back Frame
1 pc.



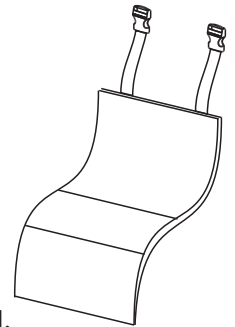
D.
Right Armrest Frame
1 pc.



F.
Seat Cushion
1 pc.



G.
Back Cushion
1 pc.



I.
Pouch
1 pc.

Hardware List

Note: Key Wrench is needed when connecting two units.



1.
M6x20
Short Bolt
4 pcs.



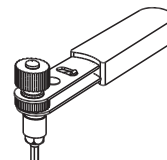
2.
M6x50
Medium Bolt
8 pcs.



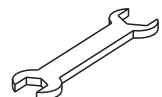
4.
M6xØ12
Small Flat Washer
4 pcs.



5.
M6xØ16
Large Flat Washer
8 pcs.



Ratchet Wrench
1 pc.



Key Wrench
1 pc.

IMPORTANT

- Do not tighten up all the bolts until each part is properly assembled.
- Keep the Ratchet Wrench and Key Wrench in a safe place as you may need to tighten up the bolts in the future.
- Use a soft cloth between these parts and the floor.

STEP 1

Attach Base Frame (B) to Back Frame (C) with Medium Bolt (2), Large Flat Washer (5) and tighten with Ratchet Wrench. (See Figure 1)

Note: Ratchet Wrench button is in tighten position.

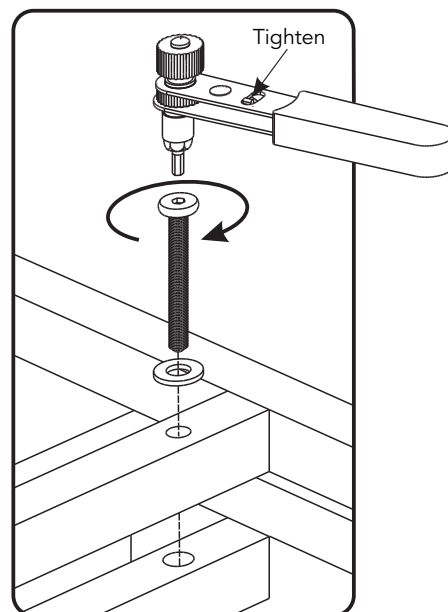
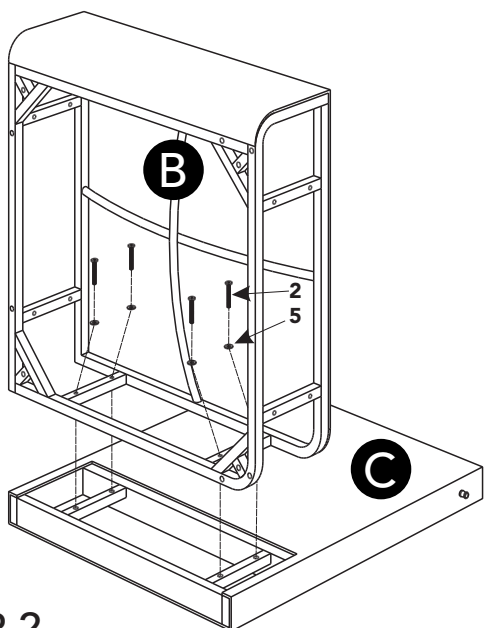


Figure 1

STEP 2

Insert the hook on Back Frame (C) into the hole on Right Armrest Frame (D), connect the Right Armrest Frame (D) to Base Frame (B) with Medium Bolt (2), Large Flat Washer (5) and tighten with Ratchet Wrench. (See Figure 2)

Note: Pull the tab out before connecting the Right Armrest Frame (D).

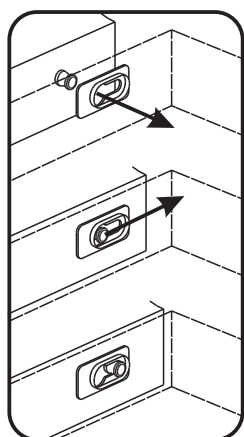
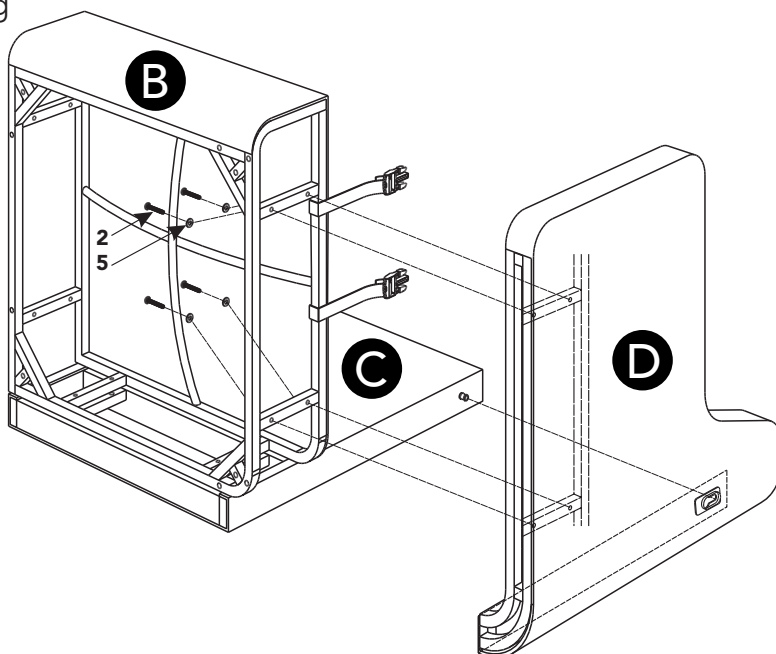


Figure 2



FLEXSTEEL®

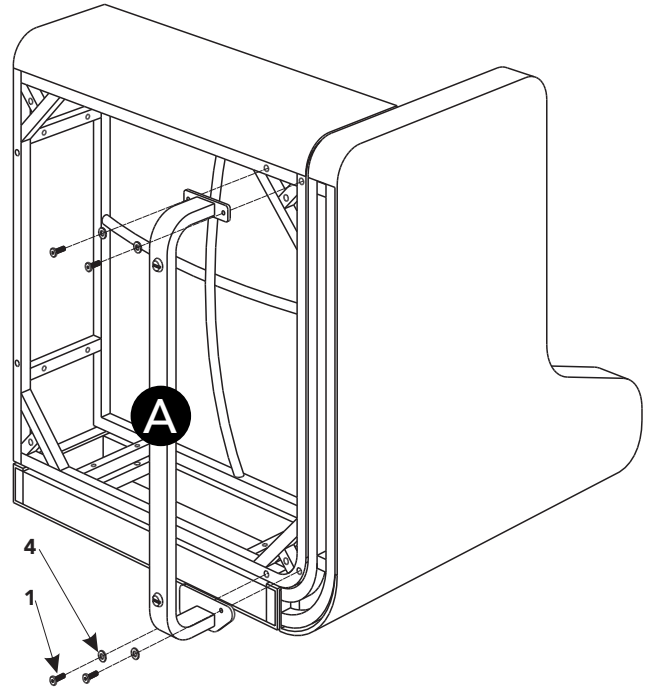
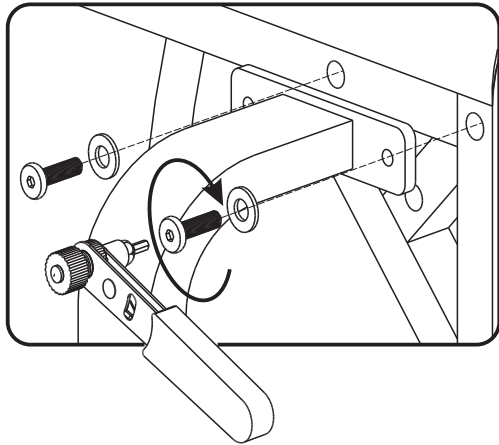
OUTDOOR LIVING

Assembly Instruction 3/3

STEP 3

Attach Long Leg (A) to unit with Short Bolt (1), Small Flat Washer (4) and tighten with Ratchet Wrench. (See Figure 3)

Figure 3



STEP 4

Turn unit to its upright position.

Place pouch over the right arm by attaching the buckles on the pouch to the buckles on the chair frame. (See Figure 4)

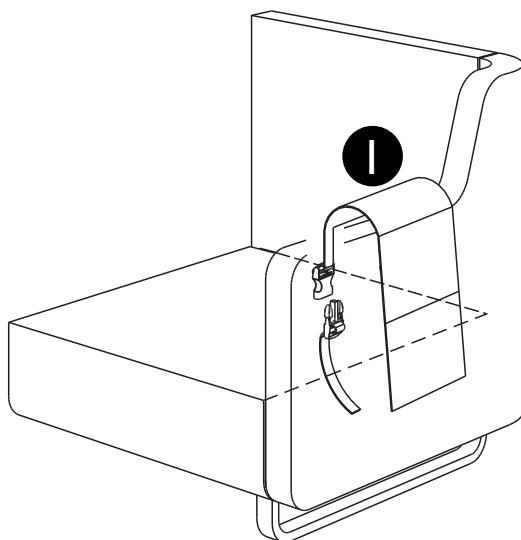
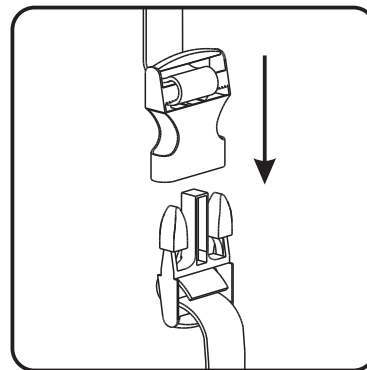


Figure 4



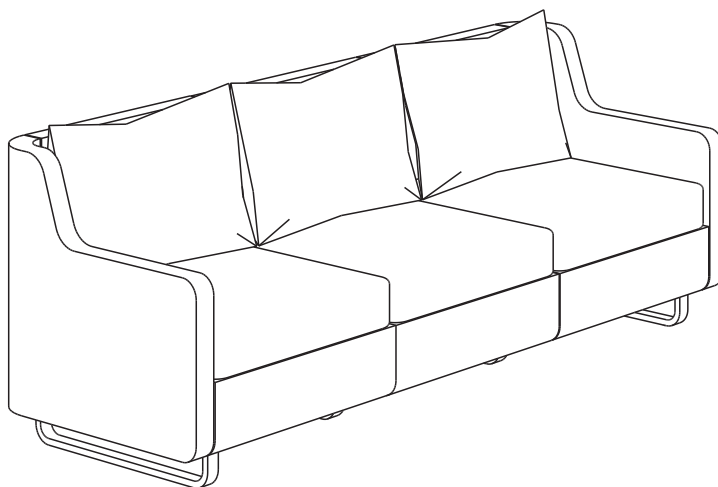
Note: Please refer to Loveseat/Sofa/Sectional assembly instructions included with G6000-17 LAF Chair

FLEXSTEEL®

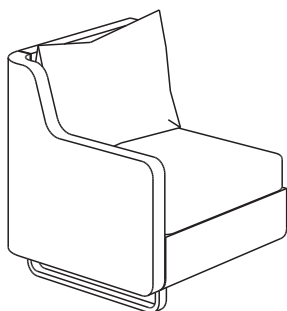
OUTDOOR LIVING

Sofa Assembly Instruction 7/13

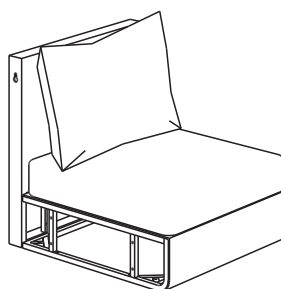
Sofa



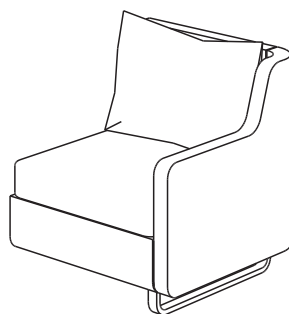
Part List



G6000-17
LAF CHAIR
1 pc.



G6000-19
ARMLESS CHAIR
1 pc.



G6000-18
RAF CHAIR
1 pc.

Hardware List

Note: Use extra hardware from G6000-17 LAF CHAIR and G6000-19 ARMLESS CHAIR for assembly.

Extra Hardware from LAF CHAIR: Short Bolt (M6x20) x2pcs, Small Flat Washer (M6xØ12) x2pcs, Long Bolt (M6x70) x4pcs, Large Flat Washer (M6xØ16) x4pcs and Nut (M6) x4pcs.

Extra Hardware from 1pc of ARMLESS CHAIR: Short Bolt (M6x20) x2pcs, Long Bolt (M6x70) x4pcs, Small Flat Washer (M6xØ12) x2pcs, Large Flat Washer (M6xØ16) x4pcs and Nut (M6) x4pcs.



1.
M6x20
Short Bolt
4 pcs.



3.
M6x70
Long Bolt
8 pcs.



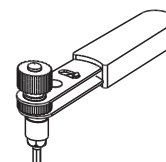
4.
M6xØ12
Small Flat Washer
4 pcs.



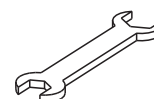
5.
M6xØ16
Large Flat Washer
8 pcs.



6.
M6
Nut
8 pcs.



Ratchet Wrench
1 pc.



Key Wrench
1 pc.

FLEXSTEEL®

OUTDOOR LIVING

Sofa Assembly Instruction 8/13

STEP 8

Attach G6000-17 LAF CHAIR, G6000-19 ARMLESS CHAIR and G6000-18 RAF CHAIR with Long Bolt (3), Large Flat Washer (5) and Nut (6), tighten with Ratchet Wrench and Key Wrench. (See Figure 9 and 10)

Note: Ratchet Wrench button is in tighten position.

Figure 9

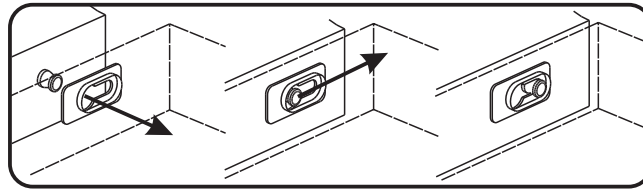
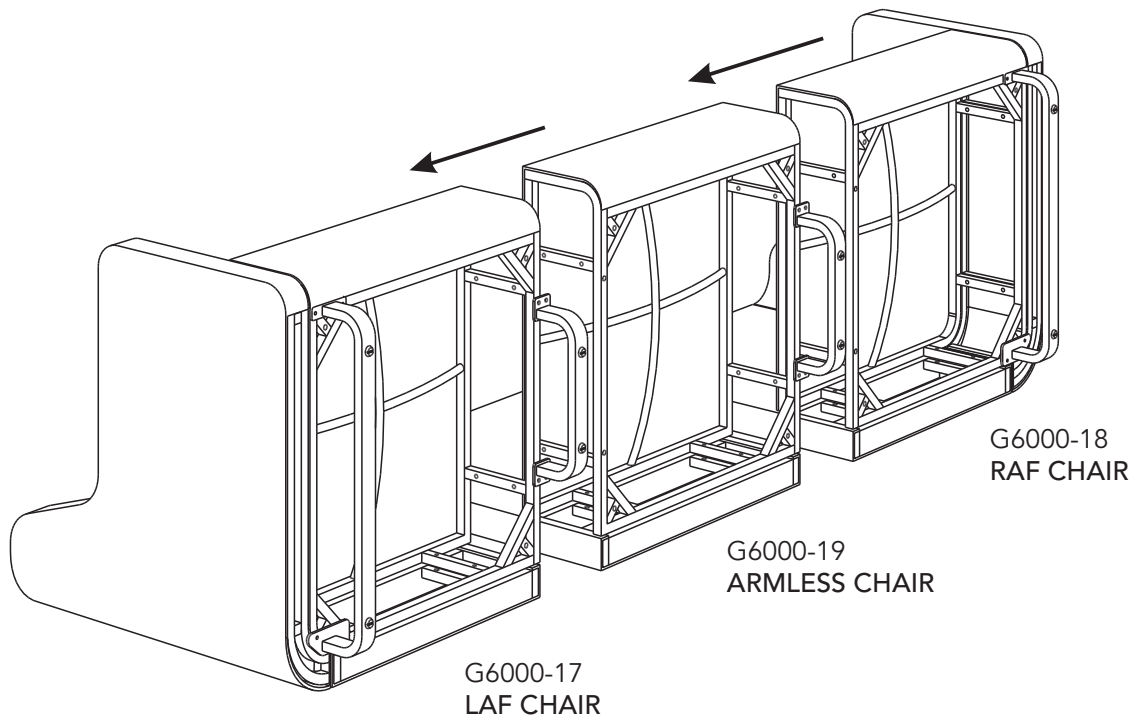
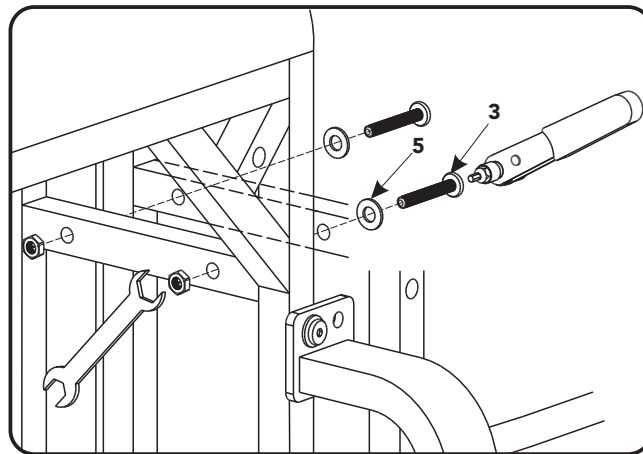


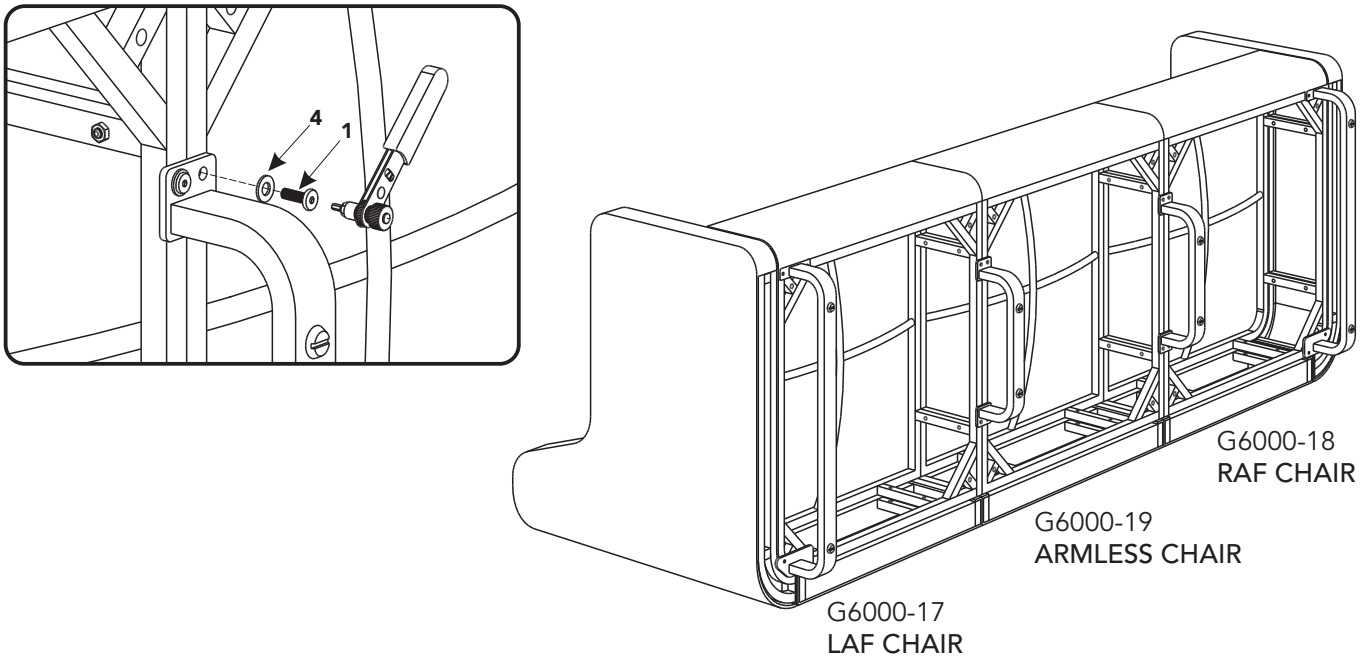
Figure 10



STEP 9

Use Short Bolt (1) and Small Flat Washer (4) to fix the Short Leg to ARMLESS CHAIR and RAF CHAIR and tighten with Ratchet Wrench. (See Figure 11)

Figure 11



STEP 10

Turn unit to its upright position.
Place Seat Cushions (F) and Back Cushions (G) into position.

Level unit by adjusting the adjustable levelers on bottom of unit. (See Figure 12)

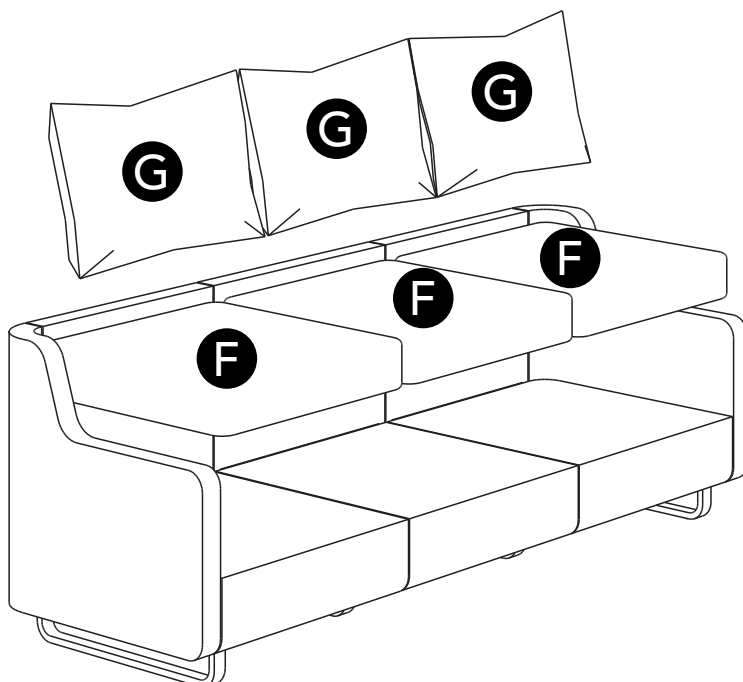
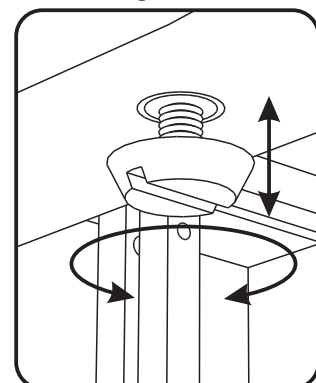


Figure 12



FLEXSTEEL®

OUTDOOR LIVING

CARE INSTRUCTIONS

Cleaning and maintenance:

- Regular cleaning: clean the furniture regularly with a damp cloth or sponge to remove dirt, dust and other deposits.
- Deeper cleaning: use mild soapy water or a fabric-friendly cleaner for the removable cushions. Avoid harsh chemicals that might harm the metal or synthetic wicker.
- Wipe dry if exposed to chlorine.
- Spot test to ensure the cleaning agents do not cause any damage to the product.
- Avoid sharp tools. Do not use hard brushes or sharp tools in order to prevent scratches or holes in the fabric.
- Cushion care: remove or cover the cushions during heavy rain or when not in use to prevent them from getting soaked.

Storage:

- To prolong the life of your outdoor furniture, we recommend using furniture covers when not in use.
- During winter and inclement weather, store furniture indoors if possible, otherwise cover the furniture when not in use.

Usage:

- Use furniture on a solid and level surface to minimize prolonged exposure to uneven or damp ground.
- Periodically check for any loose bolts and tighten as needed.

Flexsteel Industries, Inc.

For Parts or Customer Service, call toll-free: 1-888-415-3979

Monday-Friday 8:00-5:00pm Central Time

Email: customersolutions@flexsteel.com

www.flexsteel.com