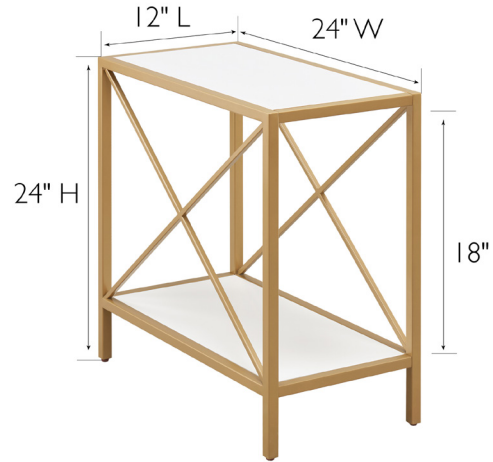


Claudette Narrow End Table

White/Satin Gold



SPECIFICATIONS

MATERIAL CONSTRUCTION:	Iron
ASSEMBLY REQUIRED:	Yes
TOOLS NEEDED FOR ASSEMBLY:	Allen Wrench
ASSEMBLED DIMENSIONS:	24" H x 12" L x 24" W
ASSEMBLED WEIGHT:	18.75 lbs.
SHELF CLEARANCE:	18"
SHELF STYLE:	Flat
ADJUSTABLE SHELVES:	No
FRAME STYLE:	Iron
FACE FRAME MATERIAL:	Iron
TOP MATERIAL:	Solid US poplar
SIDES MATERIAL:	Iron
BOTTOM MATERIAL:	Particle Board & Iron
FINISH TYPE:	Painted

WARRANTY: 1-Year limited warranty
 TITLE IV COMPLIANT: Yes
 PROP 65 HARMFUL MATERIAL: Wood Dust



TYPE:
JOB:
ORDER CODE:
APPROVALS: