



FOLEY / PARKS / ANDERSON

SWIVEL OFFICE CHAIR

MODEL # AXCOCHR-14





Questions, problems, assembly help, missing parts?

No need to return the product, we will gladly help and ship your replacement parts free of charge

Please call Customer Service at 1-866-518-0120 ext. 262

Monday to Friday between 9 am – 4 pm EST

or go to

www.simpli-home.com/parts request

In order to assist you in a timely manner, please have the following information ready:

Model # _____ Part Number or Letter _____

Purchased at _____ Date of Purchase _____

If you wish to return the product, please contact the retailer where the product was purchased.

IMPORTANT: Please read this manual carefully before beginning assembly of this product. Keep this manual for future reference.

SAFETY INFORMATION

Identify all the parts and hardware. Do not discard of the packaging until you have checked that you have all of the parts and hardware required. Hardware package may have spare parts.

WARNING: This item contains small parts which can be swallowed by children and pets. Keep children and pets away during assembly. To avoid danger of suffocation, always keep plastic bags away from children and pets.

We recommend that you assemble this unit on a carpeted floor to avoid scratches. We do not recommend the use of power tools for assembly as this could damage the unit. Only use manual tools.

Requires 2 people for ease of assembly.

CARE and MAINTENANCE

Wipe regularly with clean water and a damp, clean, soft white cloth.

General cleaning can be done as needed with a mild detergent and water solution. Always rinse with clean water and dry.

For heavy soiling, dampen a soft white cloth or soft bristle brush. Use care as scrubbing can damage the surface.

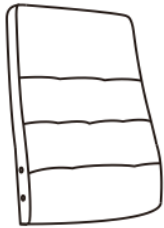
More difficult stains can be treated, but this should be occasional, not daily, cleaning. ANY cleaning solution used must be removed with clean water and a clean white cloth. Cleaning residue left on the material can cause it to dry out and crack, or affect the color.

DO NOT use any cleaners with corrosive ingredients (lye, acids or ammonia).

PRE-ASSEMBLY INFORMATION

PARTS DESCRIPTION

A



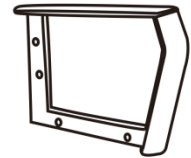
BACK
QTY 1

B



SEAT
QTY 1

C



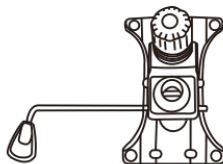
LEFT ARM
QTY 1

D



RIGHT ARM
QTY 1

E



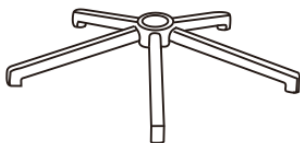
MECHANISM
QTY 1

F



GAS LIFT
QTY 1

G



BASE
QTY 1

H



CASTER
QTY 5

I



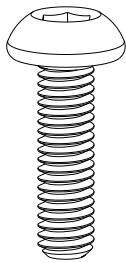
GAS LIFT CAP
QTY 1

NEED HELP? For help with assembly or if you are missing a part,
Please call customer service at 1-866-518-0120 ext. 262 (9 am to 4 pm EST)

PRE-ASSEMBLY INFORMATION

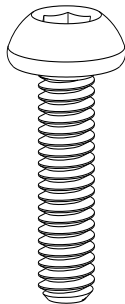
HARDWARE DESCRIPTION

1



SHORT BOLT
M6 X 20mm
QTY 4

2



LONG BOLT
M6 X 25mm
QTY 8

3



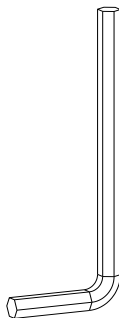
WASHER
M6 X 18mm
QTY 4

4



CAP
QTY 8

5

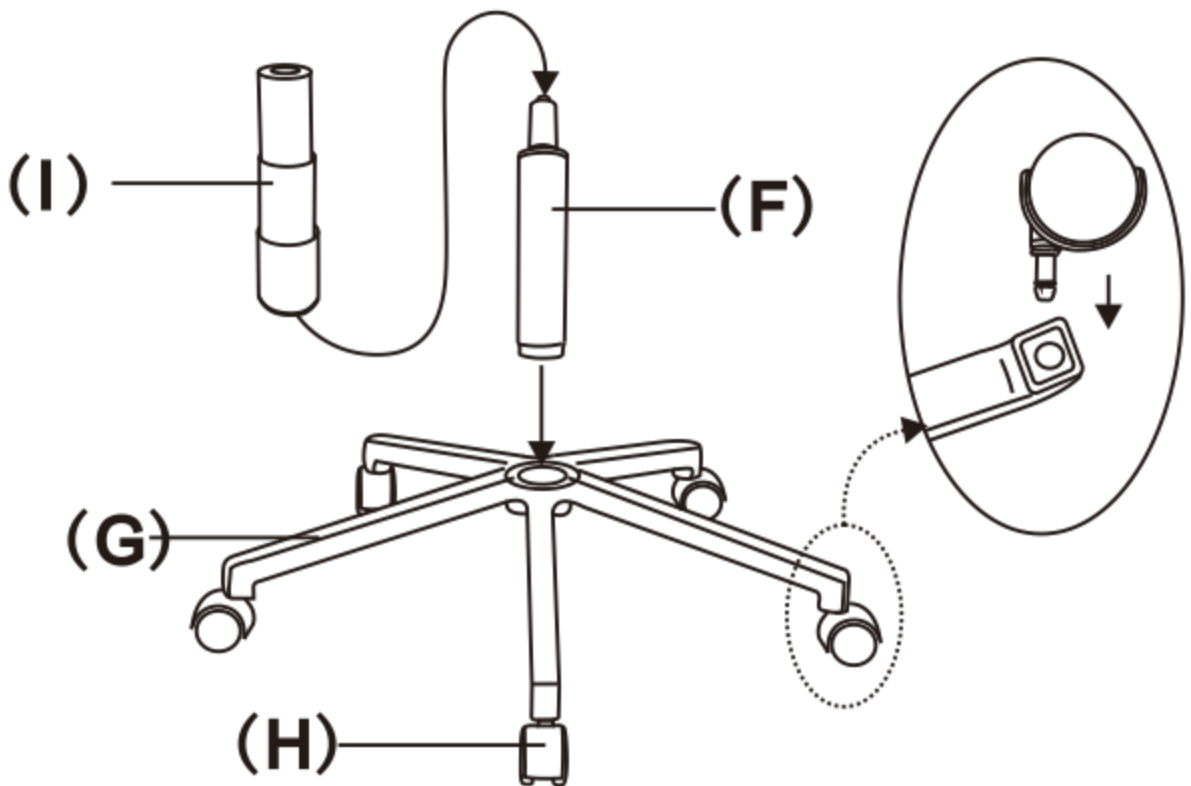


ALLEN KEY
M6
QTY 1

NEED HELP? For help with assembly or if you are missing a part,
Please call customer service at 1-866-518-0120 ext. 262 (9 am to 4 pm EST)

ASSEMBLY

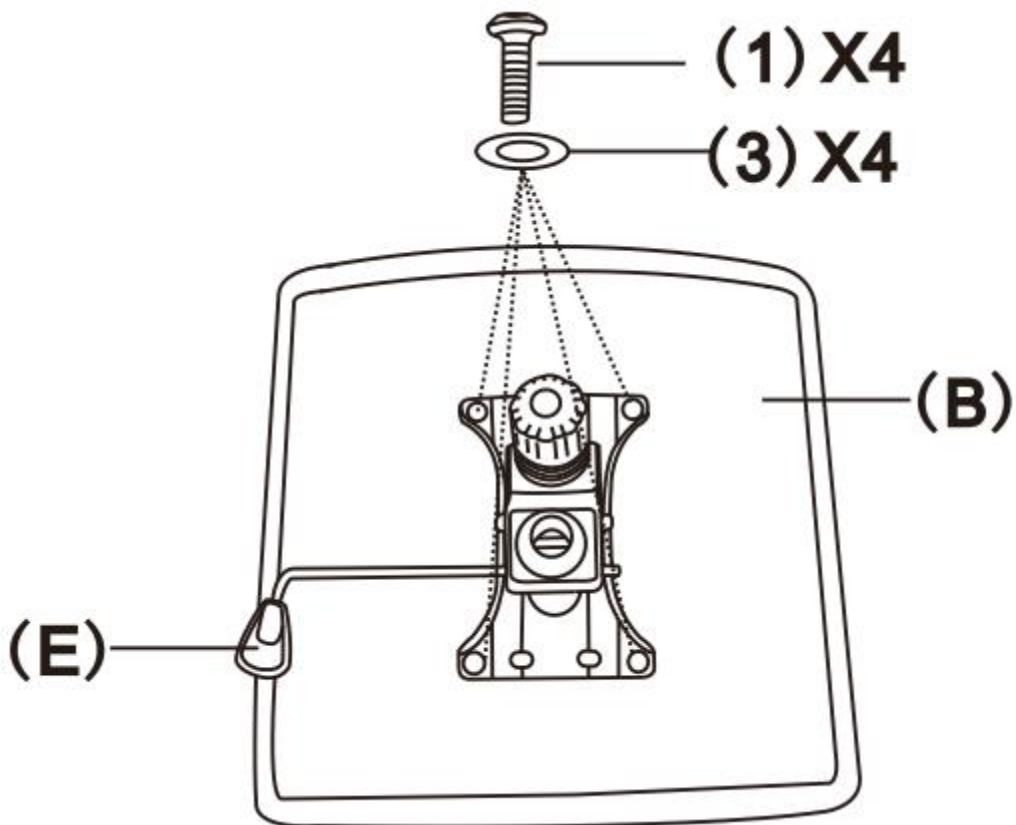
STEP 1



Place the Base (G) upside down on a flat smooth surface.
Attach the Casters (H) to the Base (G).
Attach Gas Lift (F) and Gas Lift Cap (I) to the Base (G).

ASSEMBLY

STEP 2



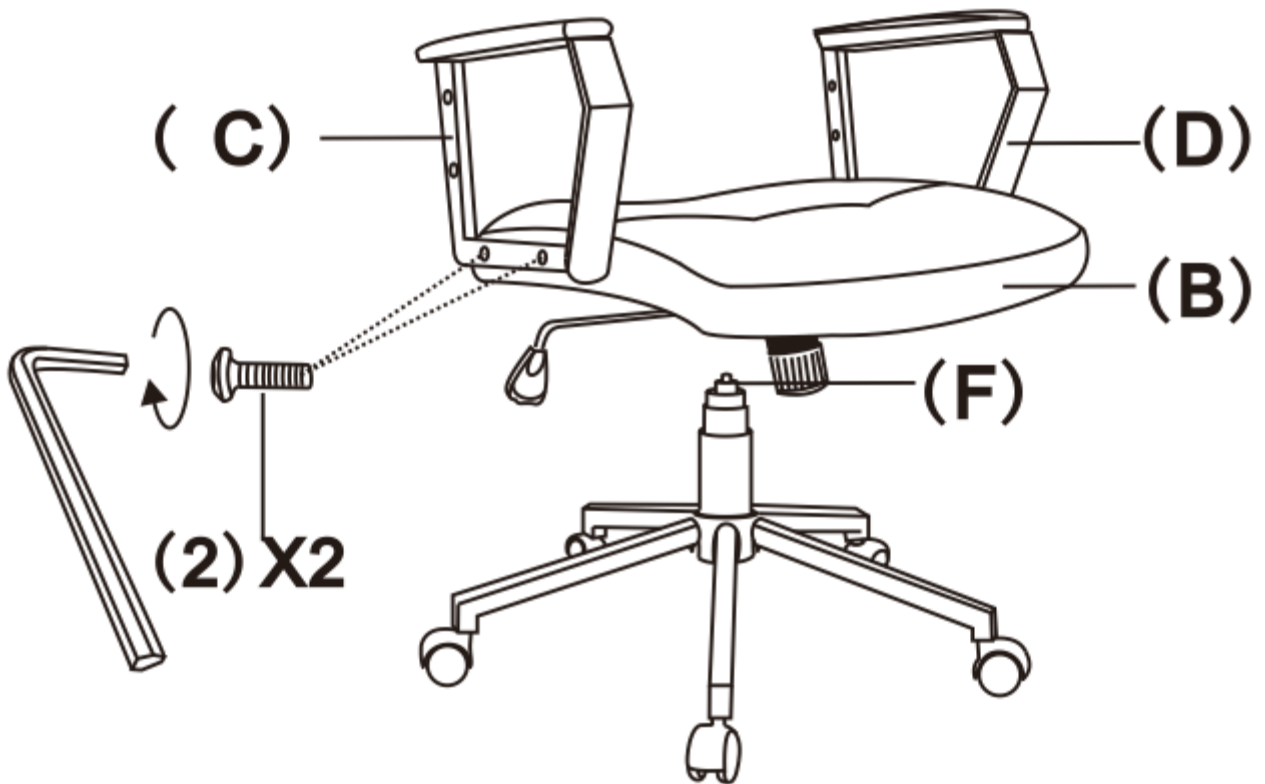
Place the Seat (B) on its back on a flat smooth surface.

Attach the Mechanism (E) to the bottom of the Seat (B) with Short Bolts (1) and four Washers (3).

Use Allen Key (5) to tighten.

ASSEMBLY

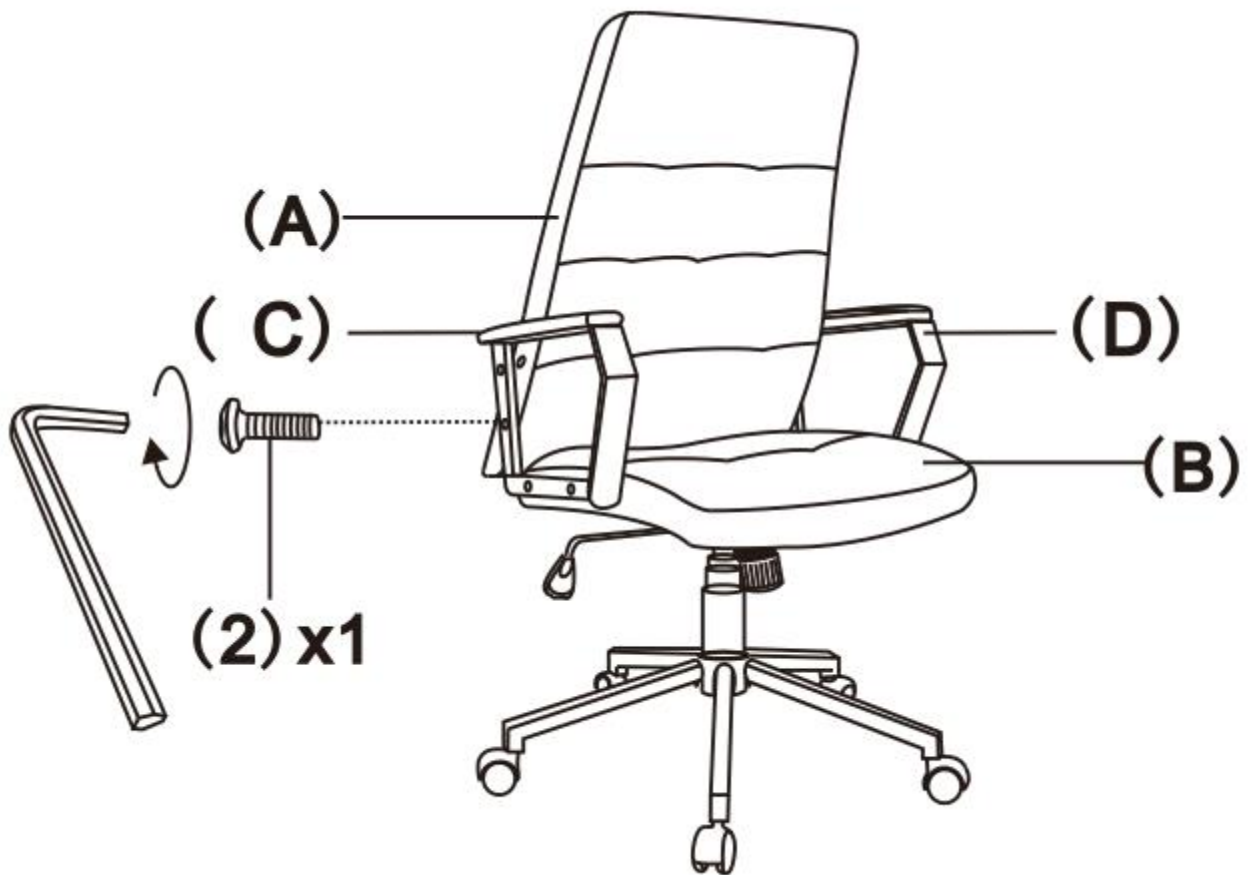
STEP 3



Place the Seat (B) right side up on the Gas Lift (F).
Attach the Left Arm (C) and Right Arm (D) to the Seat (B) using two Long Bolts (2) on the bottom two holes of each Arm (C) and (D).
Use Allen Key (5) to tighten.

ASSEMBLY

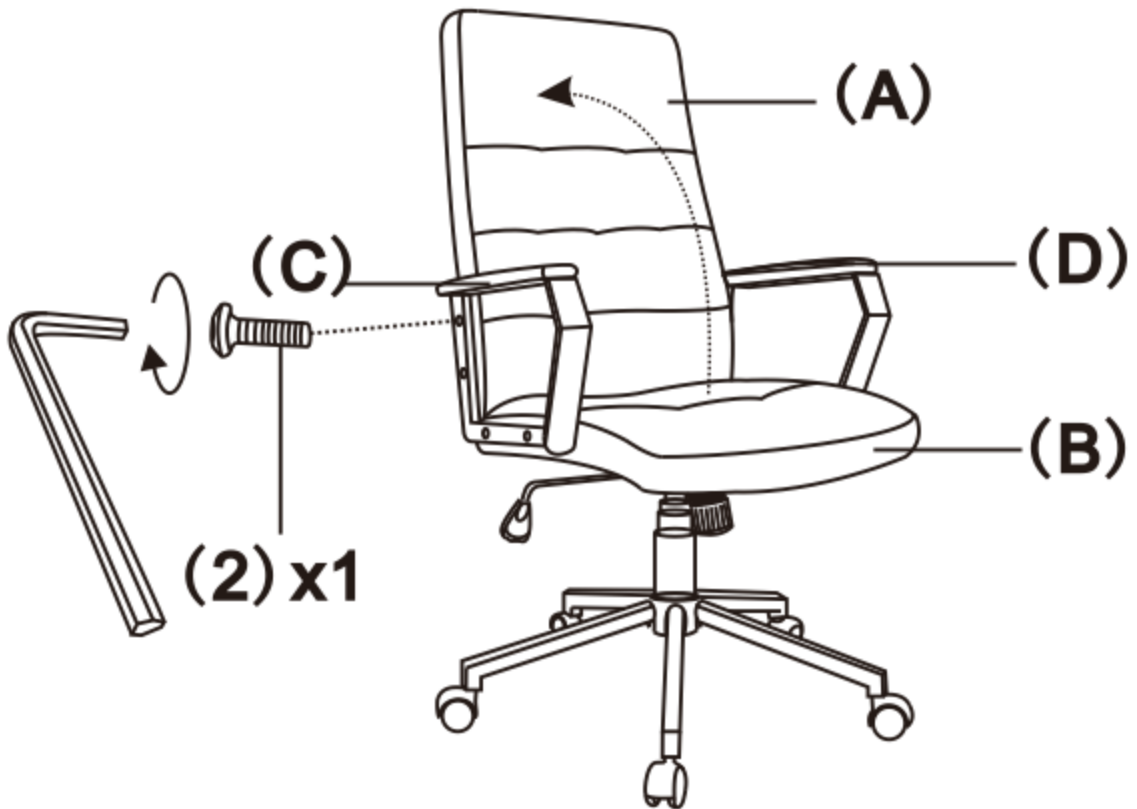
STEP 4



Attach the Left Arm (C) and Right Arm (D) to the Back (A) using one Long Bolt (2) on the second hole from the top of each Arm (C) and (D). Use Allen Key (5) to tighten.

ASSEMBLY

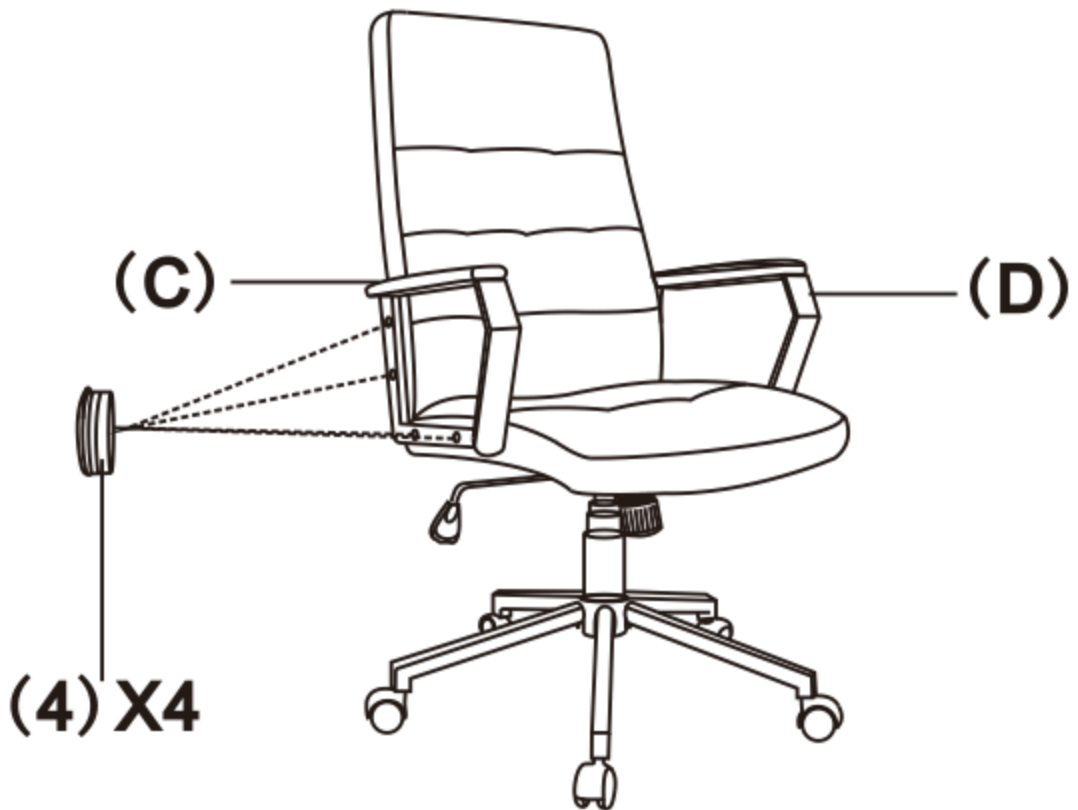
STEP 5



Straighten the Back (A) to an upright position.
Complete attaching the Left Arm (C) and Right Arm (D) to the Back (A) using one Long Bolt (2) on the first hole of top of each Arm (C) and (D).
Use Allen Key (5) to tighten.

ASSEMBLY

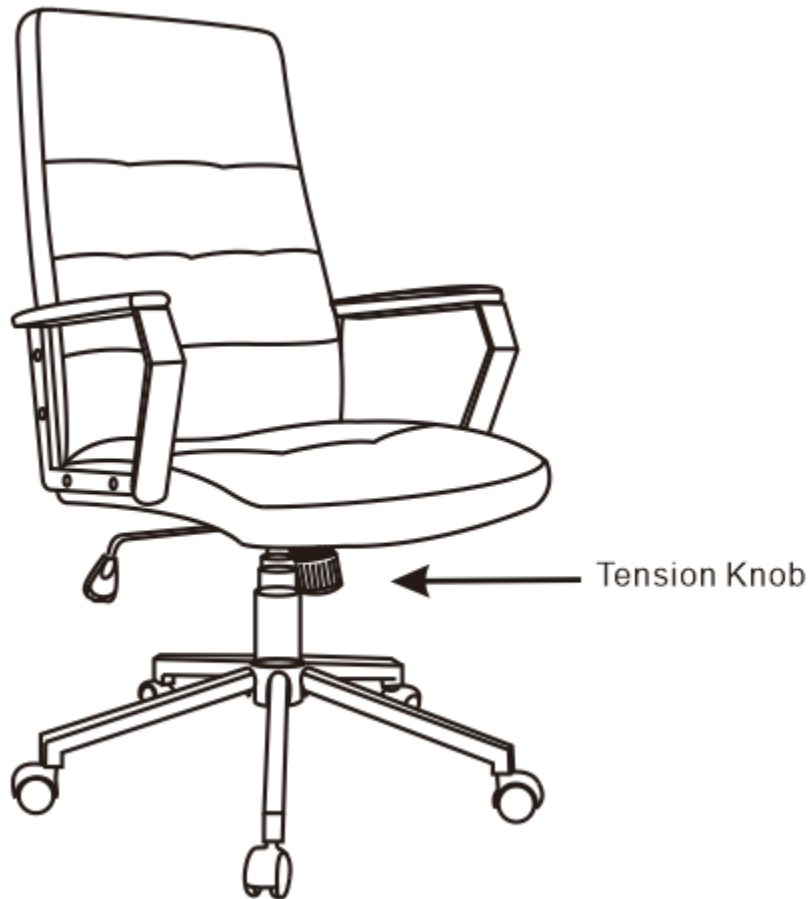
STEP 6



Place four Bolt Caps (4) on each Arm (C) and (D).

ASSEMBLY

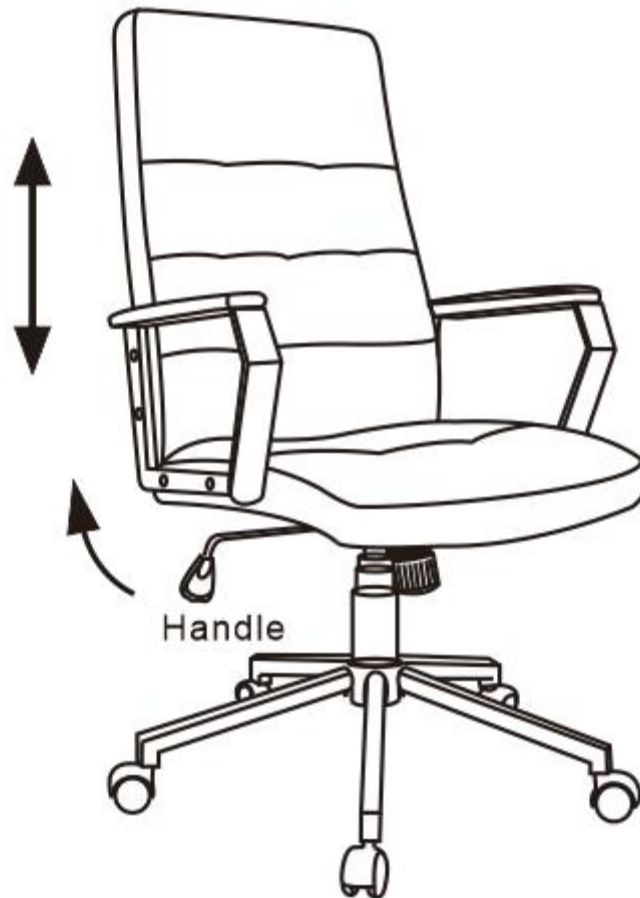
STEP 7



The tension knob is located under the seat cushion.
Turn the knob clockwise to tighten the tilt mechanism.
Turn the knob counter-clockwise to loosen the tilt mechanism.

ASSEMBLY

STEP 8

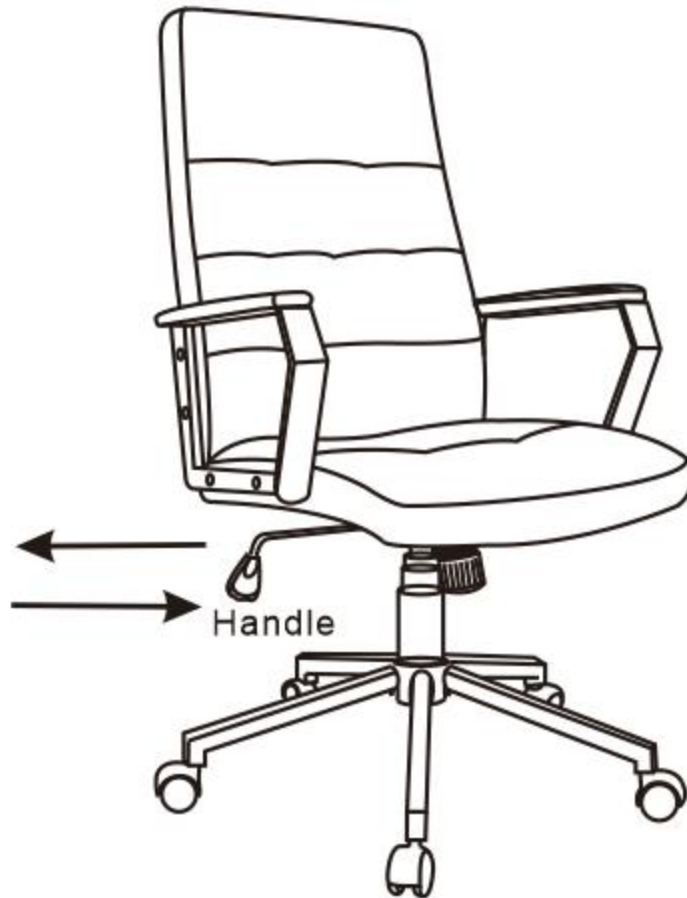


To raise the seat, lift your weight off the seat and reach underneath the right side of the Chair to lift the handle up slowly with a clockwise twisting motion to allow the Chair to rise to desired height.

To lower seat, lift the handle slowly with a clockwise twisting motion while seated.

ASSEMBLY

STEP 9



To tilt the Chair while seated:
Pull the handle outward to unlock.
Push the handle inward to lock into position.



WARRANTY

Thank you for purchasing a **Simpli Home – Wyndenhall – Brooklyn + Max** product. These products have been made to demanding, high-quality standards and are guaranteed for domestic use against manufacturing faults for a period of 12 months from the date of purchase. This warranty does not affect your statutory rights.

In case of any malfunction of your product (failure, missing parts, etc.) please contact us at our toll free service line at 1-866-518-0120 ext. 262 from 9 am to 4 pm, Monday to Friday, Eastern Standard Time or by email at customerservice@simpli-home.com.

We reserve the right to repair or replace the defective product, at its discretion.

This product is guaranteed for 12 months if used for normal purposes. Any warranty is invalid if the product has been overloaded or subject to neglect, improper use or an attempted repair by other than an authorized agent. Heavy-duty or daily professional/commercial usage are not guaranteed.

Due to continuous product improvement, we reserve the right to change the product specifications without prior notice.